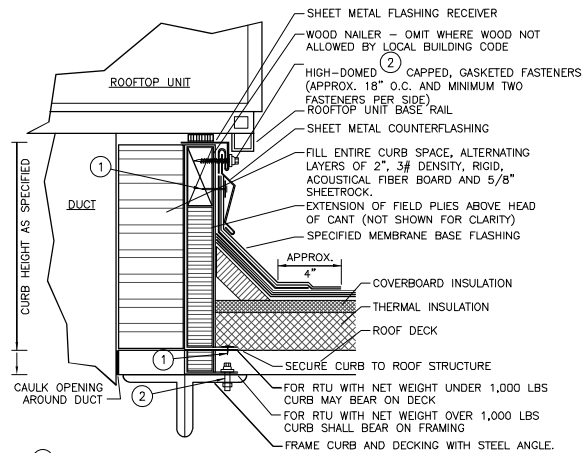


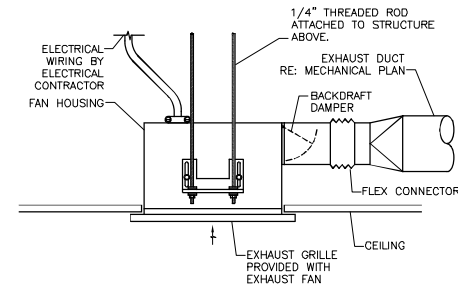
- NOTES:**
1. PROVIDE OPENING THROUGH ROOF AND ROOF DECK INSULATION NO LARGER THAN REQUIRED TO ALLOW DUCTS TO PASS THROUGH. REFER TO PLANS FOR DUCT SIZES. TRANSITION AS REQUIRED IN ROOF CURB TO RTU SUPPLY AND RETURN OPENINGS.
  2. PROVIDE SLOPED ROOF CURB TO INSTALL ROOFTOP UNIT LEVEL TO ENSURE PROPER DRAINAGE. COORDINATE ROOF SLOPE WITH ARCHITECTURAL FLASH AND COUNTER FLASH ROOF PENETRATIONS, ETC. TO ENSURE WEATHER TIGHT INSTALLATION.

**1** ROOFTOP UNIT WITH DUCTWORK DETAIL  
NO SCALE

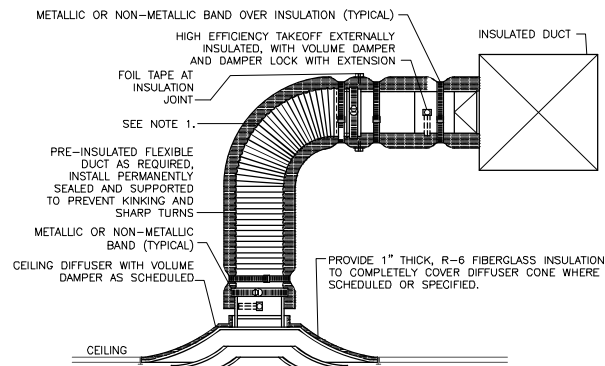


- NOTES:**
1. #12x1" SELF DRILLING SCREWS AT 12" O.C.
  2. #14x1-1/2" SELF DRILLING SCREWS AT 18" O.C.
1. CUT METAL DECKING TO ALLOW CURB INSTALLATION ON STEEL FRAMING. AFTER CURB IS SET IN PLACE, TRIM REMAINING METAL DECKING AND INSTALL WITHIN CURB. TACK WELD DECKING TO SUPPORT STEEL. DO NOT WELD INTERIOR DECKING TO ROOF CURB. PROVIDE ADDITIONAL CROSS FRAMING TO SUPPORT INTERIOR DECKING AND FILL MATERIAL AS REQUIRED.

**2** ROOF CURB DETAIL  
NO SCALE

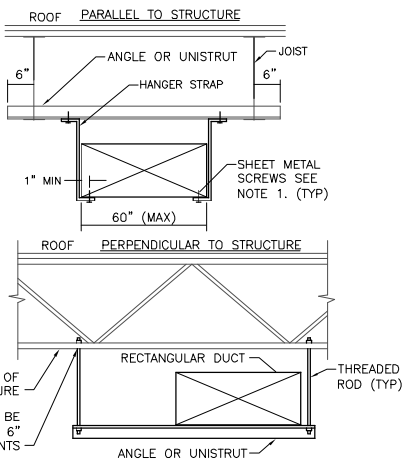


**3** SUPPORT DETAIL FOR HUNG EQUIPMENT  
NO SCALE



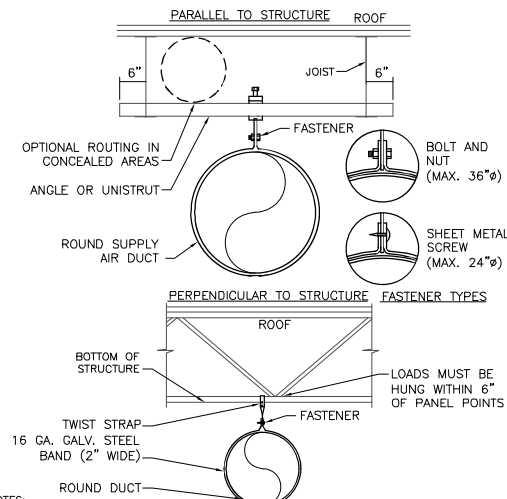
- NOTES:**
1. EXTEND RIGID METAL DUCT SO THAT MAXIMUM FLEXIBLE DUCT LENGTH DOES NOT EXCEED 5'-0". PROVIDE RIGID 90° ELBOW WHERE REQUIRED TO KEEP FLEXIBLE DUCT WITHIN 5'-0" LENGTH LIMITATION.

**4** LAY-IN TYPE CEILING DIFFUSER DETAIL  
NO SCALE



- NOTES:**
1. SHEET METAL SCREWS MAY BE OMITTED IF HANGER STRAP IS CONTINUOUS AND LOOPS UNDER ENTIRE DUCT.

**5** RECTANGULAR DUCT SUPPORT DETAIL  
NO SCALE



- NOTES:**
1. FOR DUCTS LARGER THAN 36\"/>

**6** ROUND DUCT SUPPORT DETAIL  
NO SCALE

REVISION
1
2
3

DATE: 10.27.2017

REVIEW SET  
NOT FOR  
PERMIT