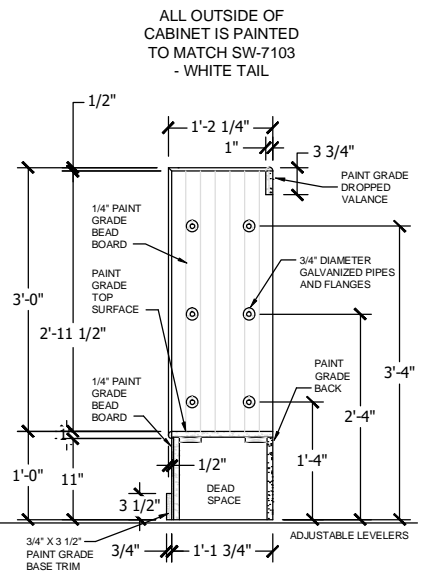
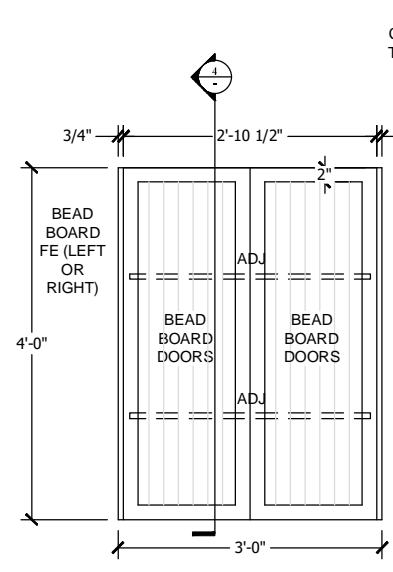


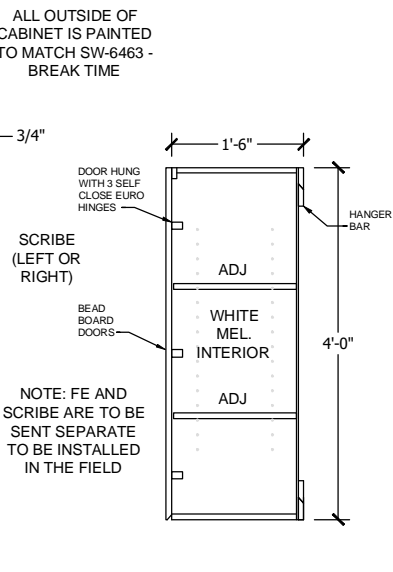
1 MARKET PLACE ELEVATION  
 A6.1



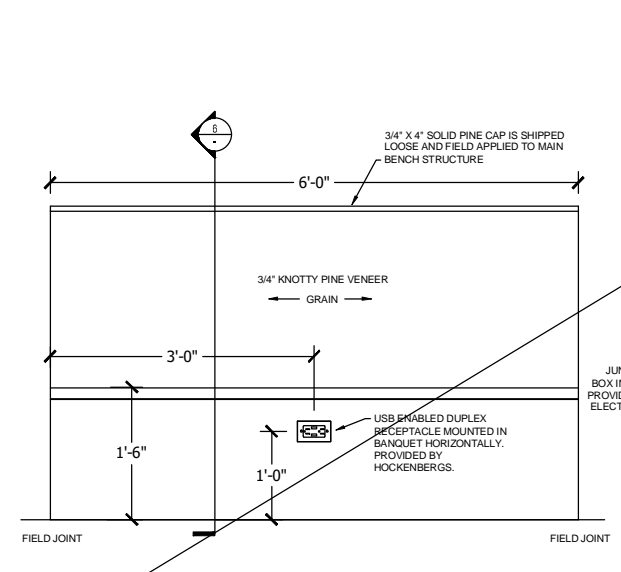
2 MARKET PLACE SECTION  
 A6.1



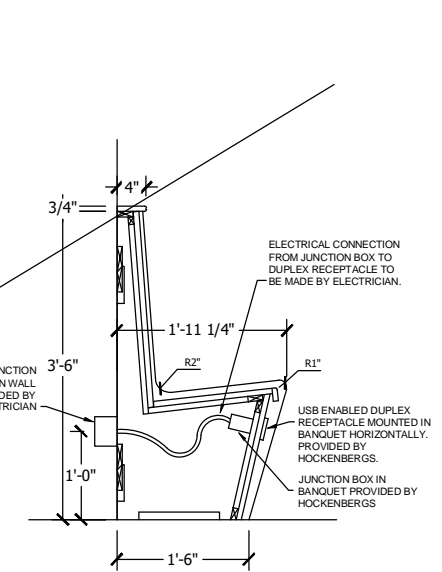
3 WALL CABINET ELEVATION  
 A6.1



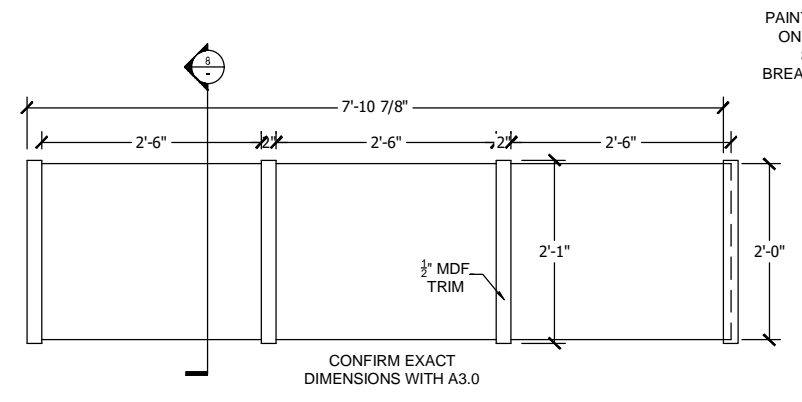
4 WALL CABINET SECTION  
 A6.1



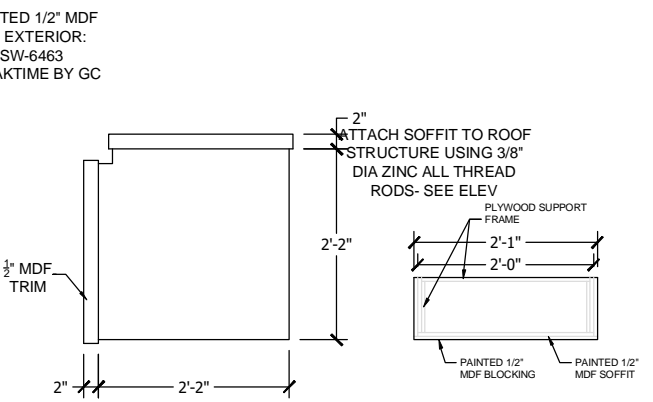
5 BANQUET ELEVATION  
 A6.1



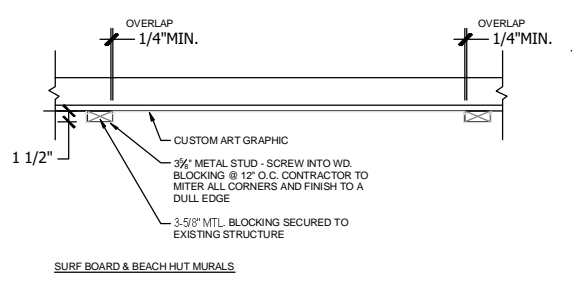
6 BANQUET SECTION  
 A6.1



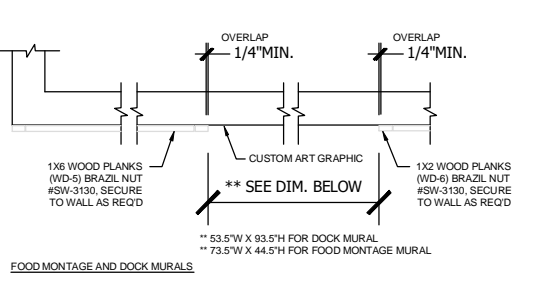
7 SOFFIT PLAN VIEW  
 A6.1



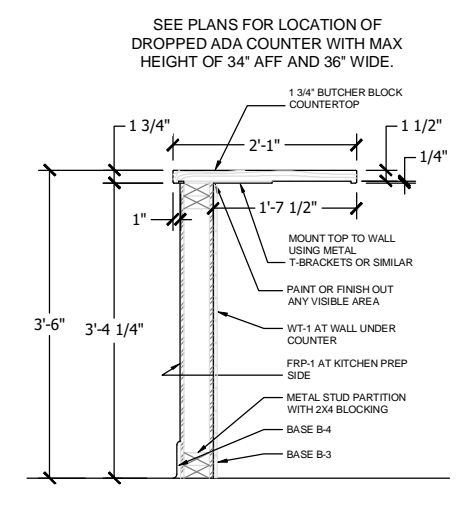
8 SOFFIT SECTION  
 A6.1



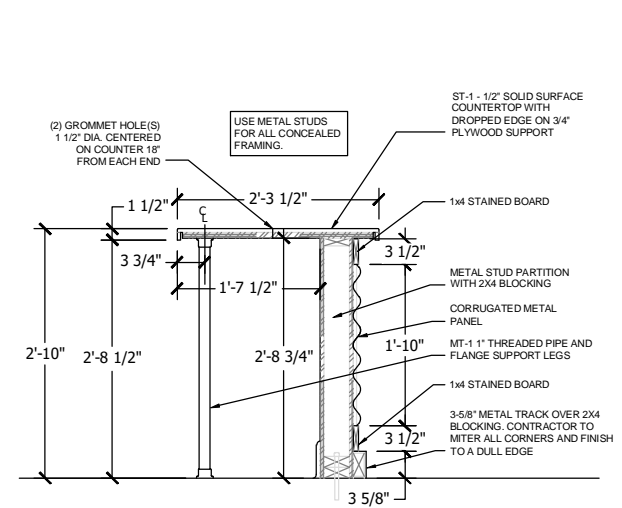
9 SECTION DETAIL FOR WALL DECOR  
 A6.1



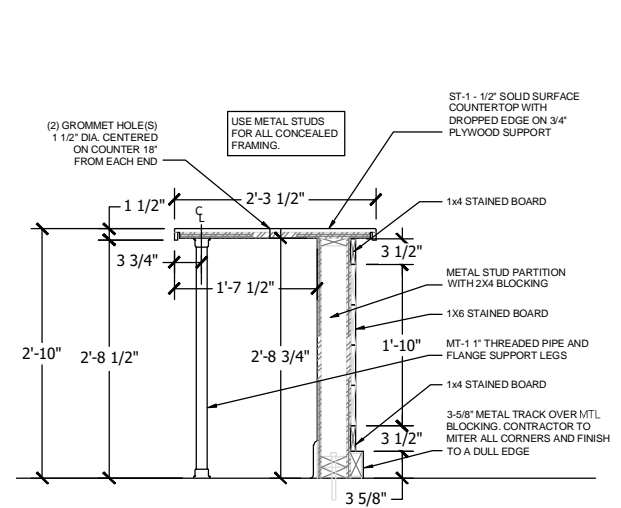
SECTION DETAIL FOR WALL DECOR  
 A6.1



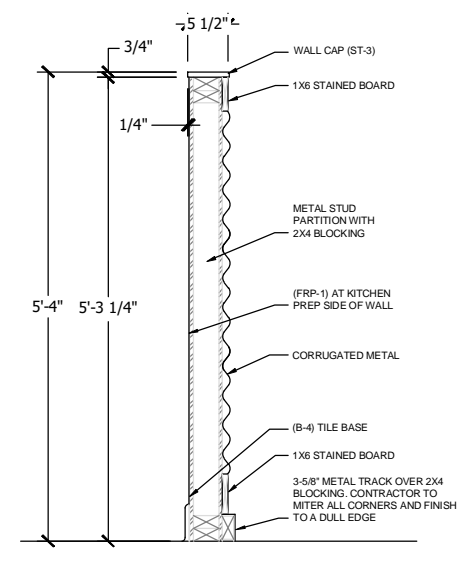
10 SIT-DOWN COUNTER SECTION  
 A6.1



11 CASHIER COUNTER SECTION (CENTER)  
 A6.1



12 CASHIER COUNTER SECTION (ENDS)  
 A6.1



13 WALL DETAIL AT KITCHEN PREP  
 A6.1