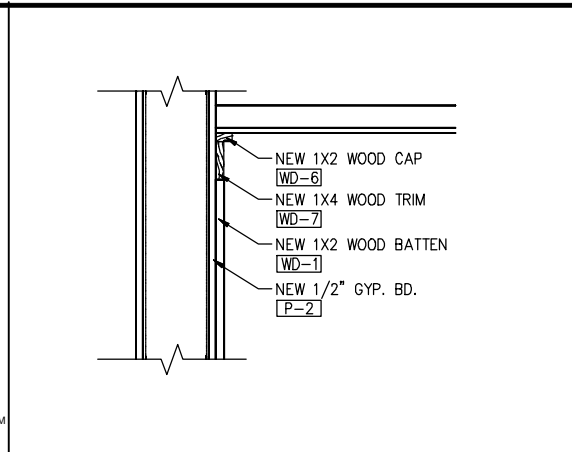
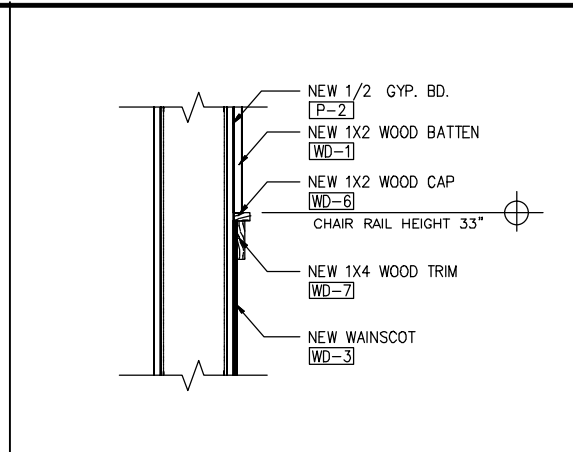


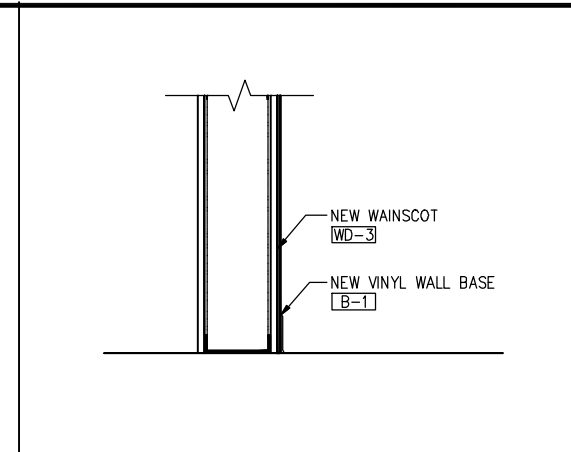
16 WALL PARTITION SCALE = N.T.S.



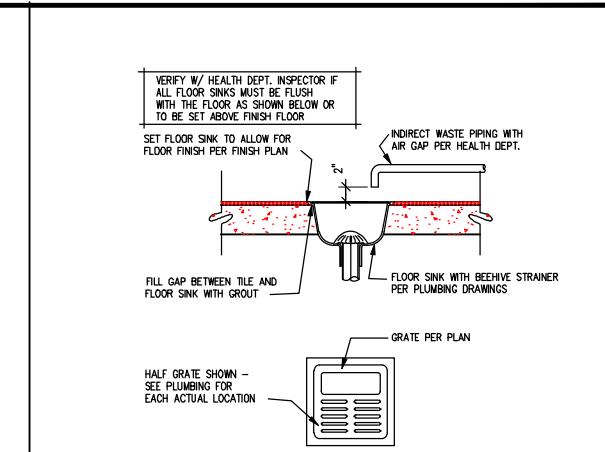
13 CEILING TRIM DETAIL



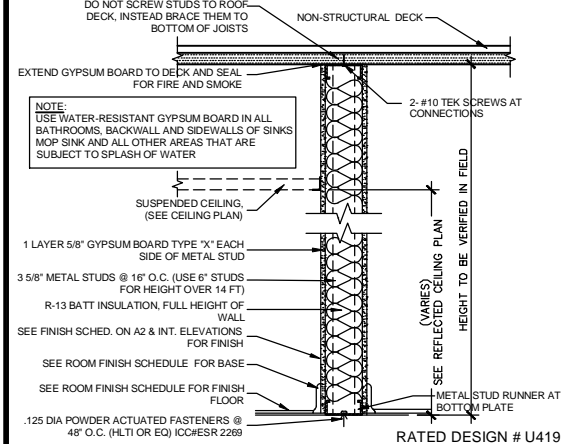
9 CHAIR RAIL DETAIL SCALE = N.T.S.



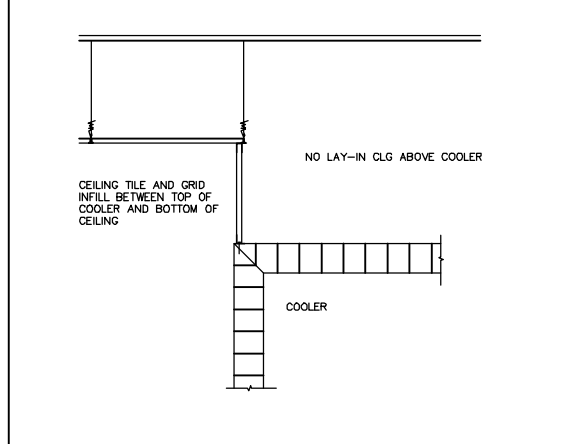
5 WALL BASE DETAIL SCALE = N.T.S.



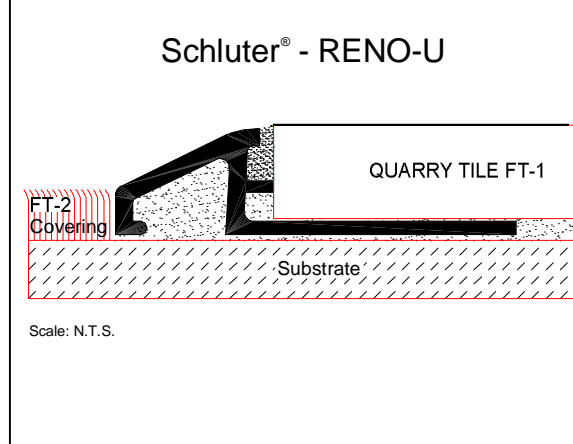
1 FLOOR SINK DETAIL SCALE = NTS



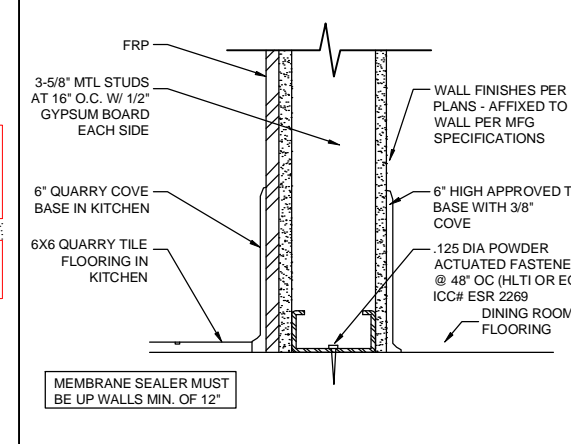
17 1 HR RATED WALL ASSEMBLY SCALE = N.T.S.



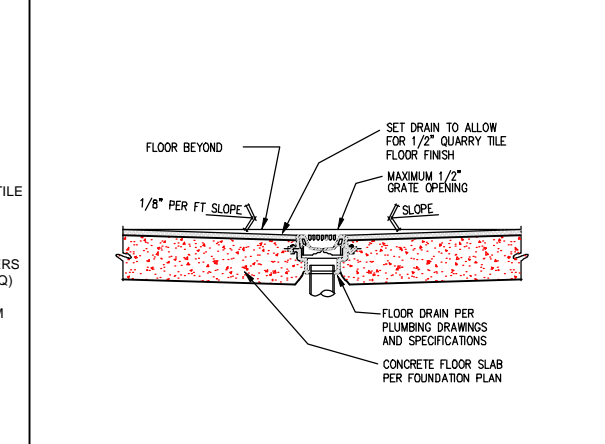
14 WALK IN COOLER SCALE = N.T.S.



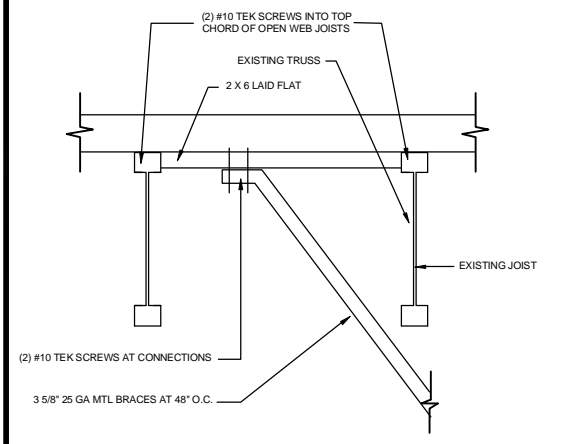
10 FLOOR TRANSITION SCALE = N.T.S.



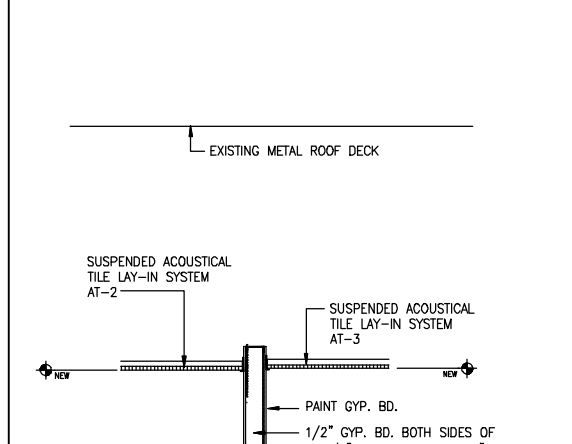
6 WALL SECTION AT FLOOR SCALE = NTS



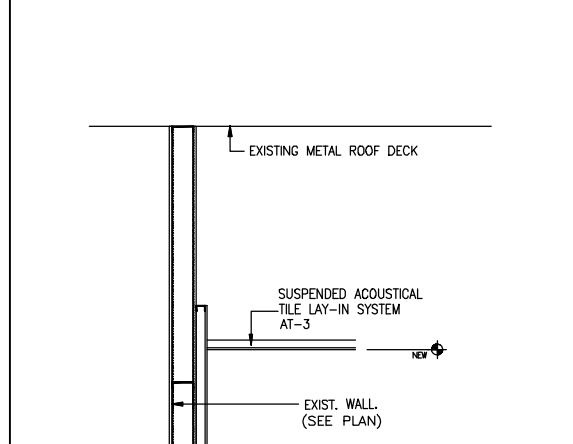
1 FLOOR SINK DETAIL SCALE = NTS



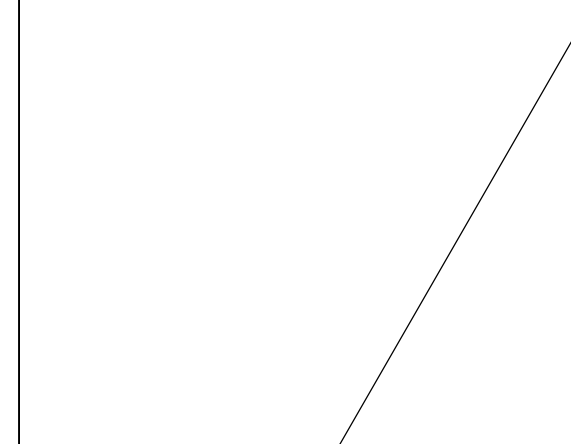
18 BRACE AT DECK BRACE-RF N.T.S.



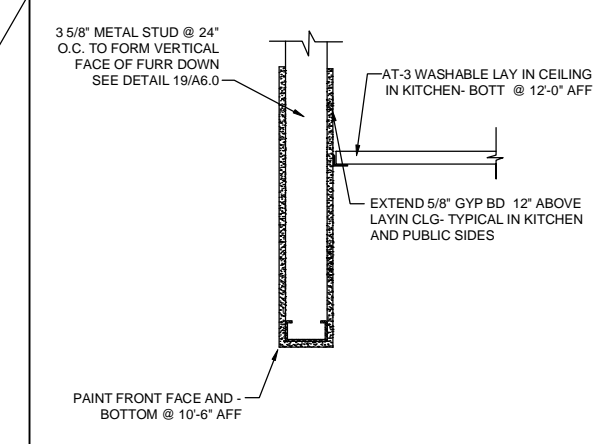
15 WALL SECTION N.T.S.



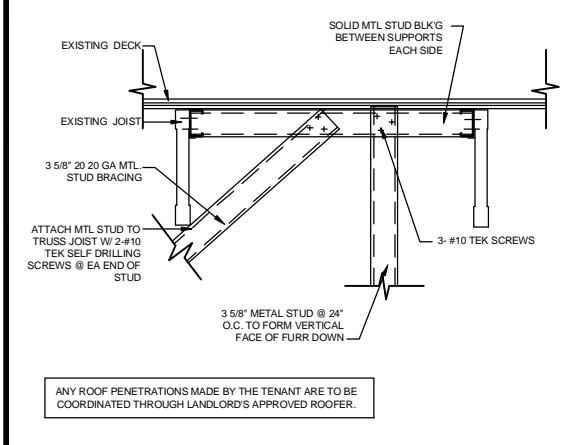
12 WALL SECTION N.T.S.



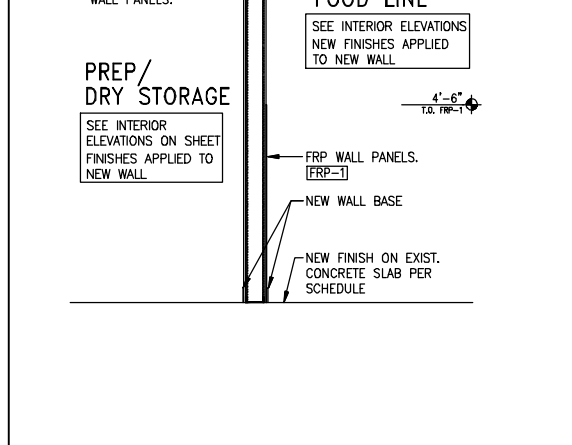
6 WALL SECTION AT FLOOR SCALE = NTS



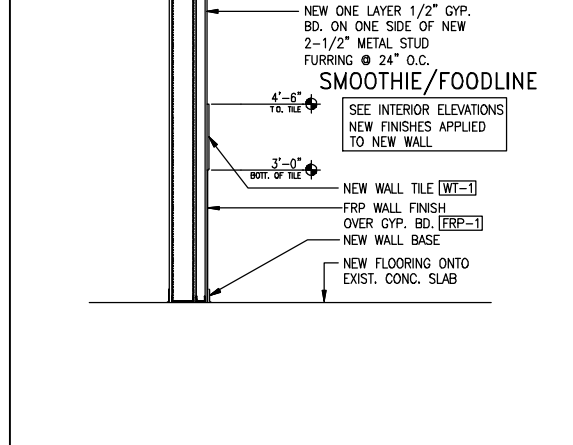
1 FLOOR SINK DETAIL SCALE = NTS



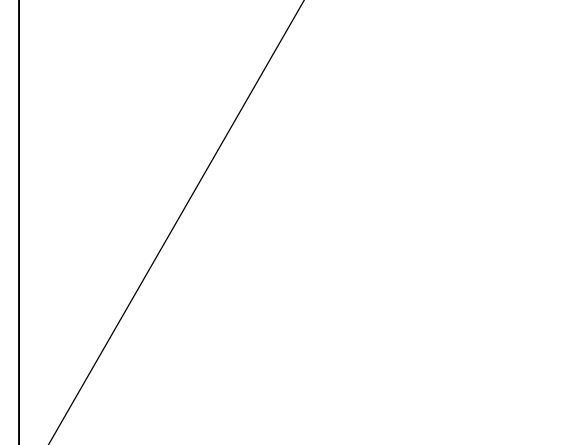
19 BRACE AT ROOF FRAMING BRCE-RF1 N.T.S.



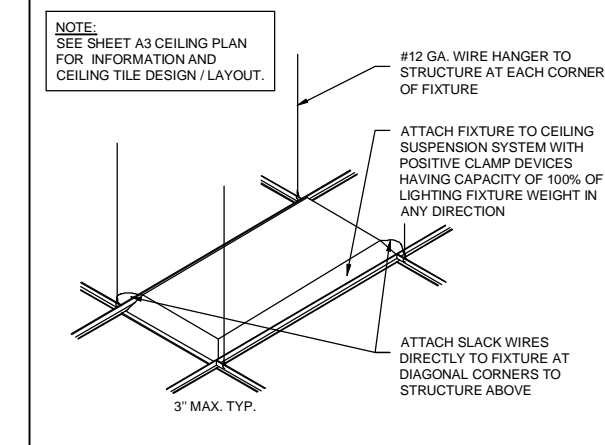
15 WALL SECTION N.T.S.



12 WALL SECTION N.T.S.



6 WALL SECTION AT FLOOR SCALE = NTS



3 SOFFIT AT FRONT COUNTER SCALE = NTS

6501 E. Greenway Pkwy #103-707
SCOTTSDALE, AZ 85254
P 480-297-5577 F 480-462-0122
www.neptunedesigndesign.com

NEPTUNE DESIGN GROUP

THIS DRAWING IS AN INSTRUMENT OF SERVICE AND AS SUCH SHALL REMAIN THE PROPERTY OF NEPTUNE DESIGN GROUP. UNAUTHORIZED USE OF THIS DRAWING WITHOUT PERMISSION OF NEPTUNE DESIGN GROUP IS STRICTLY PROHIBITED. NEPTUNE DESIGN GROUP SHALL NOT BE RESPONSIBLE FOR ANY DAMAGE TO PERSONS OR PROPERTY ARISING FROM THE USE OF THIS DRAWING FOR OTHER THAN THE PROJECT AND LOCATION SPECIFIED HEREON.

POTRANCO WEST
9222 POTRANCO ROAD #104
SAN ANTONIO, TX 78251
(STORE TX-074)

tropical CAFE
SMOOTHIE
eat better. @ feel better.

TSC: TX-074

REVISION

DATE: 10.27.2017

REVIEW SET NOT FOR PERMIT

DETAILS

A6.0