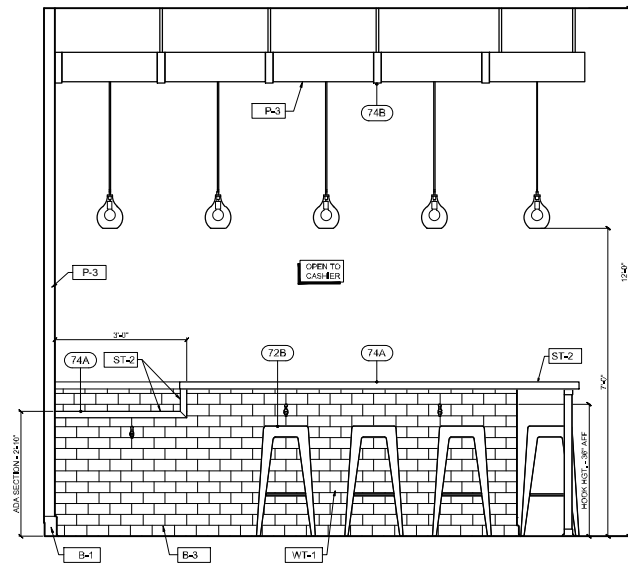
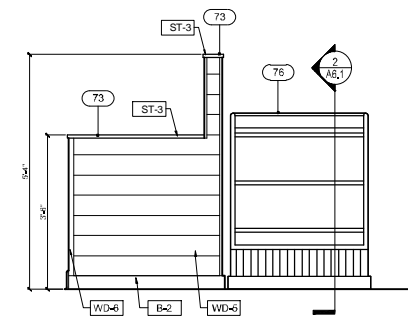


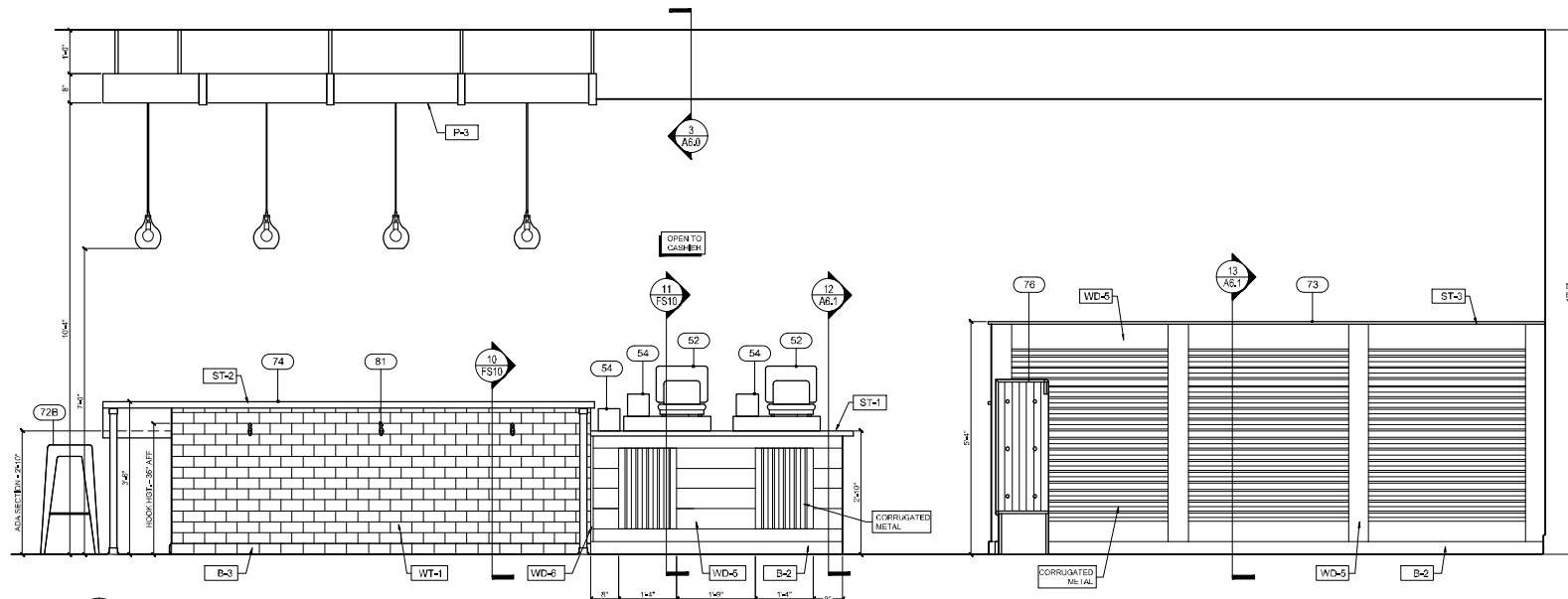
PROPOSED FLOOR PLAN  
SCALE: 1/8" = 1'-0"



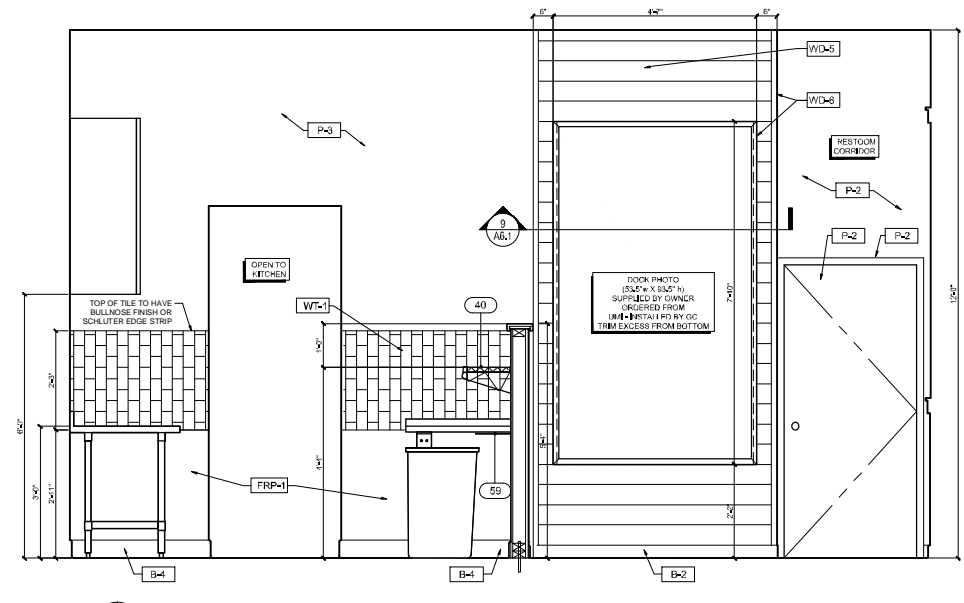
1 SMOOTHIE DINING COUNTER ELEVATION



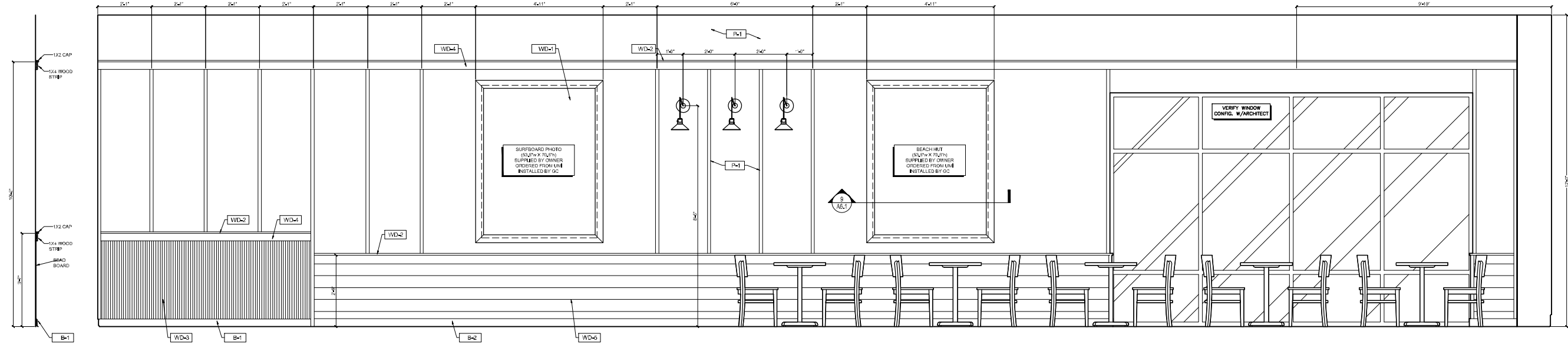
2 RETURN WALL ELEVATION



3 FRONT LINE ELEVATION-FRONT VIEW



4 RESTROOM WALL ELEVATION



6 DINING WALL ELEVATION

6501 E. Greenway Pkwy #103-707  
SCOTTSDALE, AZ 85254  
P 480-937-5577 F 480-452-0122  
www.neptunodesigngroup.com

**NEPTUNE**  
DESIGN GROUP

THIS DRAWING IS AN INSTRUMENT OF SERVICE AND AS SUCH SHALL REMAIN THE PROPERTY OF NEPTUNE DESIGN GROUP, LLC. UNAUTHORIZED USE OR REPRODUCTION WITHOUT PERMISSION OF THE ARCHITECT IS PROHIBITED. THE DRAWING IS ONLY FOR USE IN CONNECTION WITH THIS PROJECT AND SHALL NOT BE USED FOR OTHER LOCATIONS. COPYRIGHT 2017.

POTRANCO WEST  
9222 POTRANCO ROAD #104  
SAN ANTONIO, TX 78251  
(STORE TX-074)

**tropical CAFE**  
SMOOTHIE  
eat better. feel better.

TSC: TX-074

REVISION

- 1
- 2
- 3

DATE: 10.27.2017

REVIEW SET  
NOT FOR  
PERMIT

ELEVATIONS

A4.1