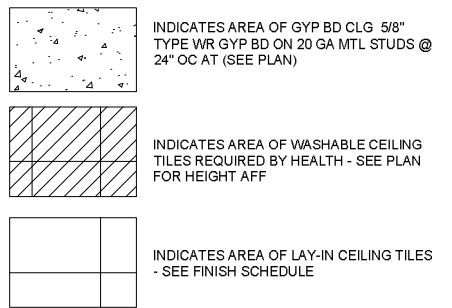


A SUSPENDED GRID DETAIL



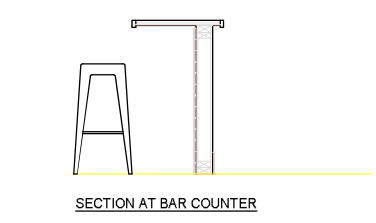
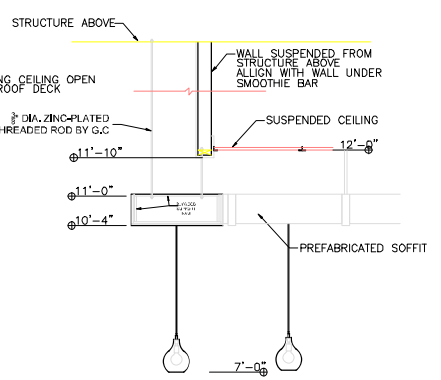
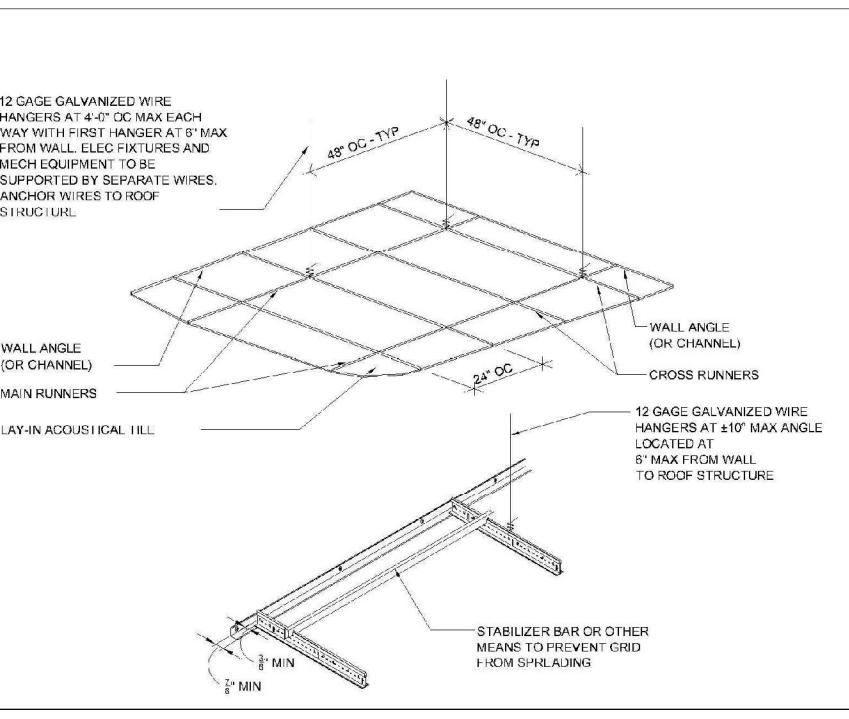
NOTE:
SEE MECHANICAL FOR EXACT LOCATION OF DIFFUSERS

NOTE:
SEE ELECTRICAL SHEETS FOR LIGHTING SPECIFICATIONS AND EMERGENCY LIGHT PACK LOCATIONS.

NOTE:
ALL GRILLES/DIFFUSERS TO MATCH CEILING TILES - SEE MECHANICAL SHEETS FOR EXACT LOCATIONS

EXTERIOR SIGN UNDER SEPARATE PERMIT PROVIDED BY SIGN COMPANY & INSTALLED BY SIGN COMPANY

SUSPENDED CEILING SUPPORT DETAIL



REFLECTED CEILING SCHEDULE

SUSPENDED CEILING	PAINT
AT-1 MANUF: ARMSTRONG TYPE: CLASS "A" NUMBER: 1728A WH FINE FISSURED COLOR: WHITE SIZE: 24" X 24" X 5/8" GRID: 15/16" GRID, MATCH WHITE OF CEILING TILE COLOR:	P-1 MANUF: SHERWIN WILLIAMS NUMBER: SW-7103 COLOR: WHITETAIL FINISH: SATIN
AT-2 MANUF: ARMSTRONG TYPE: CLASS "A" NUMBER: WASHABLE VINYL SURFACE COLOR: WHITE SIZE: 24" X 48" X 5/8" GRID: NEW WHITE 15/16" GRID	P-2 MANUF: SHERWIN WILLIAMS NUMBER: SW-6621 COLOR: EMOTIONAL FINISH: SATIN
AT-3 MANUF: ARMSTRONG TYPE: CLASS "A" NUMBER: WASHABLE VINYL SURFACE COLOR: WHITE SIZE: 24" X 24" X 5/8" GRID: 5/16" GRID, MATCH WHITE OF CEILING TILE COLOR:	P-3 MANUF: SHERWIN WILLIAMS NUMBER: SW-6463 COLOR: BREAKTIME FINISH: SATIN

MATT FLEISCHER - ACCOUNT MANAGER
HERMITAGE LIGHTING NATIONAL ACCOUNTS
3640 TROUSDALE DR. NASHVILLE, TN 37204
EMAIL: matt@hlg.com
PHONE: (615) 305-2564
FAX: (615) 843-3351
<http://nationalaccounts.hermitagelighting.com/#home>

KEY NOTES

1. WALL MTD. MENU BOARD FROM 6'-3" AFF TO 9'	6. CEILING GRID INSTALLED @ 90" W/STORE FRONT
2. CEILING MOUNTED TRACK LIGHTING	7. PENDANT LIGHT AT 7'-0" TO BOTTOM OF PENDANT
3. CEILING FAN: 8'-6" A.F.F. TO BOTTOM OF FIXTURE	8. WALL SCONCE AT 8'-6" A.F.F. TO C F J-BOX
4. PAINTED GYP. BOARD CEILING	9. SUSPENDED MILLWORK SOFFIT BY G.C.
5. CEILING GRID INSTALLED @ 90" W/STORE FRONT	

Luminaire Schedule

Symbol	Qty	Label	Arrangement	Total Lamp Lumens	LLF	Description
[Symbol]	12	A	SINGLE	5589.1	0.950	24-FPL1-LED-5000L-DIM10-MVOLT-35K-80
[Symbol]	8	B	SINGLE	950	0.950	REL637-950L-DIMTR-120-35K-90-W-WH
[Symbol]	41	C	SINGLE	N.A.	0.900	R600L 35K 80CRI FL

LIGHT FIXTURE SCHEDULE

SYMBOL	NO.	ITEM DESCRIPTION	MANUF. PART #	VOLTAGE	WATTAGE
[Symbol]	6R	6" RECESSED LED HOUSING - GU24	83000327	120	
[Symbol]	6R	6" WHITE LED MODULE - 3500K	72003602	120	12 WATT
[Symbol]	24T	2' X 4' LED	72002406	UNV	44 LED
[Symbol]	24TE	2' X 4' LED WITH EM	72005244	UNV	44 LED
[Symbol]	TL	LED SINGLE CIRCUIT TRACK HEAD	18644197	120	10 LED
[Symbol]	TL	4' WHITE SINGLE CIRCUIT TRACK	18622804		
[Symbol]	TL	WHITE CONNECTOR	18622888		
[Symbol]	TL	WHITE LIVE END FEED	18622961		
[Symbol]	PL	BLUE PENDANT LIGHT	17745813	120	40 MAX/1 PER
[Symbol]	PL	LED BULB FOR PENDANT	43905316	120	10 LED
[Symbol]	WS	LED WALL SCONCE	65311327	120	9 LED
[Symbol]	CF	WHITE CEILING FAN	50069353	120	
[Symbol]	LS	SURFACE MOUNTED LUMINAIRE	90902703	120	44 LED
[Symbol]	EM	WHITE EMERGENCE LIGHT	90902323	UNV	LED
[Symbol]	EMX	WHITE LED EXIT COMBO	90902167	UNV	LED
[Symbol]	EX	WHITE LED EXIT SIGN	90900301	UNV	LED

FOR SPECIAL NATIONAL ACCOUNT PRICING CONTACT: HERMITAGE LIGHTING. ATTN: MATT FLEISCHER

STUD GAUGE SCHEDULE

A. TABLE BELOW IS BASED ON UNIVERSAL INDUSTRIES, UNIMAST (USG) CORPORATION'S LIMITING HEIGHT TABLE FOR EMBRACED STUDS SPACED 16" AND 24" O.C. (SYSTEM FOLDER SA-923-1990 EDITION) REQUIREMENT FOR 5 PSF LATERAL PRESSURE AND 1/240 ALLOWABLE DEFLECTION FOR FLEXIBLE FINISHES, WITH 1 LAYER OF GYP. BD. PER SIDE OF STUD.

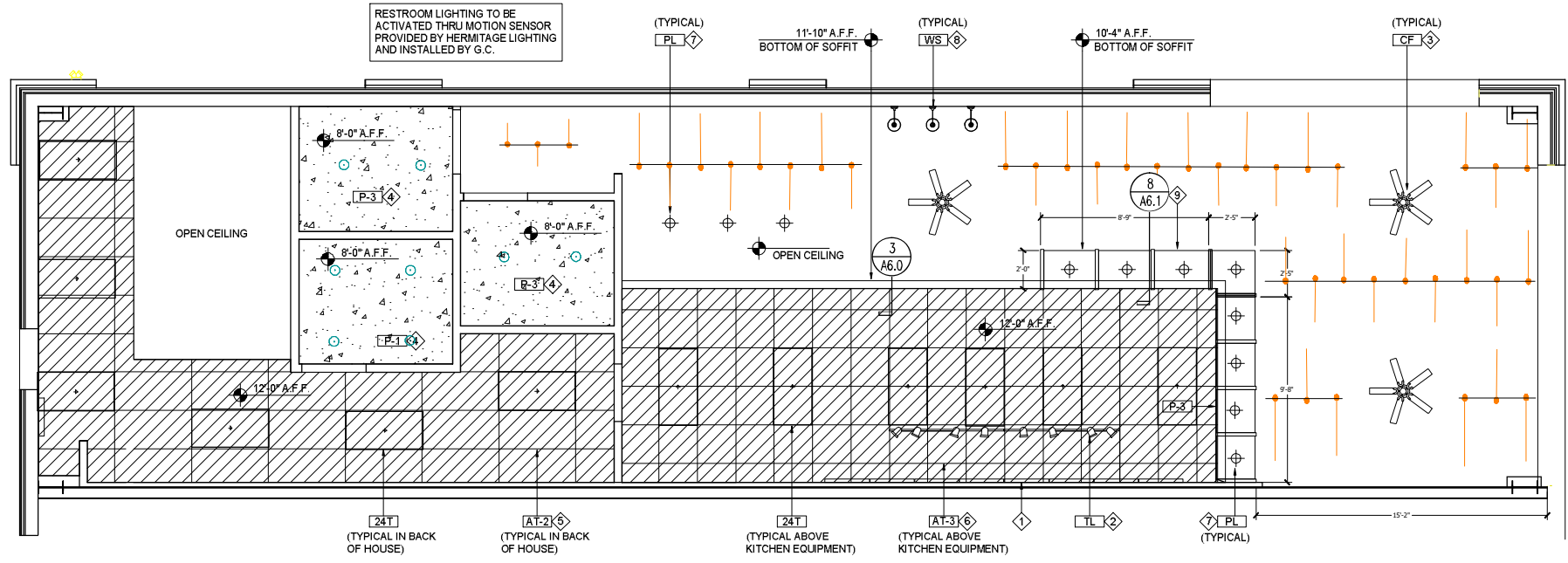
B. SCHEDULED HEIGHTS MAY BE INCREASED BY 50% WHERE THE STUDS ARE DIAGONALLY BRACED AT THE MAXIMUM HEIGHT POINT TO THE STRUCTURE ABOVE @ 4'-0" O.C.

C. CAUTION! WHEN USING STUDS MANUFACTURED BY A COMPANY OTHER THAN USG, VERIFY MANUFACTURER'S STUD STRENGTH AND LIMITING HEIGHT. ADJUST GAUGE AND MAXIMUM HEIGHT RECOMMENDED BY MANUFACTURER'S CURRENT PRINTED SPECIFICATION.

STUD WIDTH	STUD TYPE	STUD GAUGE	STUD SPACING	MAX HEIGHT
1-5/8"	158ST25	25	16"	9'-6"
	158ST25	25	24"	7'-3"
2-1/2"	212ST25	25	16"	12'-6"
	212ST25	25	24"	10'-9"
	212ST22	22	16"	13'-0"
	212ST22	22	24"	11'-6"
	212ST20	20	16"	14'-0"
3-5/8"	358ST25	25	16"	16'-0"
	358ST25	25	24"	13'-6"
	358ST22	22	16"	17'-3"
	358ST22	22	24"	15'-0"
	358ST20	20	16"	18'-3"
6"	600ST25	25	16"	20'-0"
	600ST25	25	24"	15'-0"

NOTE:
SIGN MANUFACTURER TO SUBMIT TO LANDLORD DETAILED CUT SHEETS FOR MAIN STOREFRONT SIGN. LANDLORD MUST APPROVE ALL SIGNS IN WRITING PRIOR TO FABRICATION.

NOTE:
ALL LIGHTS IN THE PREPARATION AREA, STORAGE AREA, DISHWASH AREA, WALK-IN REFRIGERATOR, AND FREEZER MUST HAVE SHATTERPROOF COVERS.



NOTE:
SEE MECHANICAL FOR EXACT LOCATION OF DIFFUSERS

REFLECTED CEILING PLAN

SCALE: 1/4" = 1'-0"

6501 E. Greenway Pkwy #103-707
SCOTTSDALE, AZ 85254
P 480-297-5577 F 480-452-0122
www.nplinedesigngroup.com

NEPTUNE DESIGN GROUP

POTRANCO WEST
9222 POTRANCO ROAD #104
SAN ANTONIO, TX 78251
(STORE TX-074)

tropical CAFE
SMOOTHIE
eat better. feel better.

TSC: TX-074

REVISION

DATE: 10.27.2017

REVIEW SET NOT FOR PERMIT

CEILING PLAN

A3.0