

Pit dimensional tolerances are ±1/8" in depth, width and squareness, -1/4" +0 in length. DLM/Systems, Inc. assume no liability for deviations beyond this tolerance.

Dimensions below are for all DM and LMD Series Mechanical, DH and LHD Series Hydraulic, and the DA Series Air Powered, pit type levelers, all capacities, except 60K industry rated capacity levelers and higher - Dim. "C" 23 1/2 Dim. "D" 24"

Leveler Size	Curb Angles 1/4" x 3" x 3"			Contractors Bill Of Material				Nominal Pit Dimensions		
	Front (Qty 1)	Rear (Qty 1)	Side (Qty 2)	Plates 1/4" Thick (Qty 2)	Dim. "A" Length	Dim. "B" Width	Dim. "C" Depth (rear)	Dim. "D" Depth (front)		
6" x 6"	74"	80"	60"	3" x 12" x 14"	63"	80"	19 1/2"	20"		
6.5" x 6"	80"	86"	60"	3" x 12" x 14"	63"	80"	19 1/2"	20"		
7" x 6"	85"	91"	60"	3" x 12" x 14"	63"	85"	19 1/2"	20"		
6" x 8"	74"	80"	84"	3" x 12" x 14"	87"	74"	19 1/2"	20"		
6.5" x 8"	80"	86"	84"	3" x 12" x 14"	87"	80"	19 1/2"	20"		
7" x 8"	85"	91"	84"	3" x 12" x 14"	87"	85"	19 1/2"	20"		
6" x 10"	74"	80"	108"	3" x 12" x 14"	111"	74"	23 1/2"	24"		
6.5" x 10"	80"	86"	108"	3" x 12" x 14"	111"	80"	23 1/2"	24"		
7" x 10"	85"	91"	108"	3" x 12" x 14"	111"	85"	23 1/2"	24"		
6" x 12"	74"	80"	132"	3" x 12" x 14"	135"	74"	23 1/2"	24"		
6.5" x 12"	80"	86"	132"	3" x 12" x 14"	135"	80"	23 1/2"	24"		
7" x 12"	85"	91"	132"	3" x 12" x 14"	135"	85"	23 1/2"	24"		

Optional Bumper Plates - in lieu of above

- 11" wide x 20" high (Qty 2)
- 11" wide x 24" high (Qty 2)
- Other Bumper Embed

(Qty 2)

Pit Projection Guide for Decline Slope Driveways

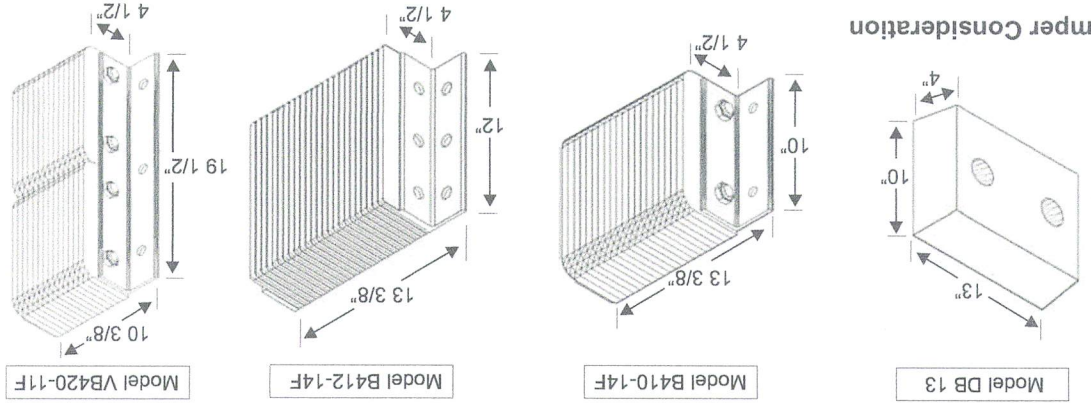
Percentage	Rise of Driveway	Driveaway Length	Of Grade =
10%	9%	12"	
8%	7%	10"	
7%	6%	9"	
6%	5%	8"	
5%	4%	7"	
4%	3%	6"	
3%	2%	5"	
2%	1%	4"	
1%	0%	3"	
0%	0%	0"	
			*Excludes Bumper Projection

NOTE:

Projection of pit may require modifications to seals and shelters. Coordinate with supplier if required.

Bumper Layout

Bumper Consideration



- 2 Model DB 13 Molded bumpers Standard on LMD (mechanical) and LHD (hydraulic) Series Levelers
- 2 Model B410-14F laminated bumpers Standard on DM (air powered) DH Series Levelers
- 2 Model B412-14F laminated bumpers
- 2 Model VB420-11F laminated bumpers

- Optional - 6" Projection Steel face
- Optional - 6" Projection Steel face
- Optional - 6" Projection Steel face
- Optional - 6" Projection Steel face
- Other Bumper: _____

546466

A continuing Product improvement process is in effect at Systems, Inc. We reserve the right to make product changes without prior notice.