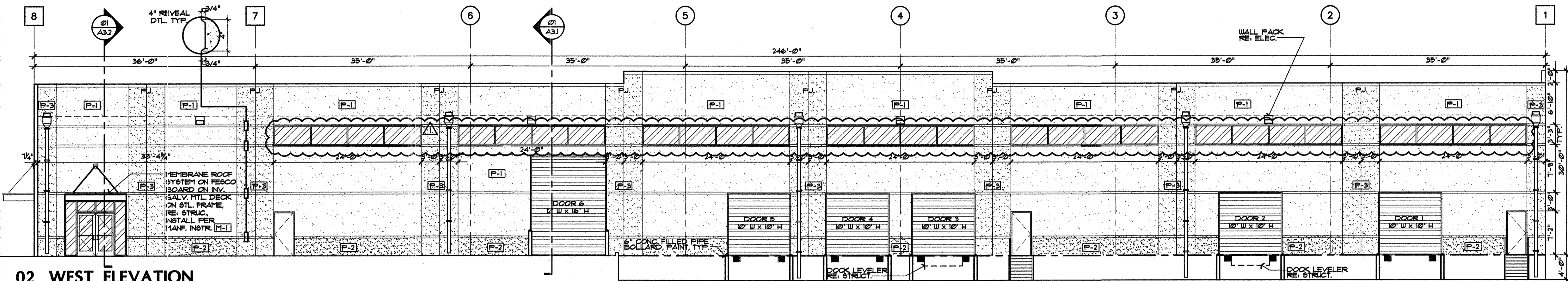


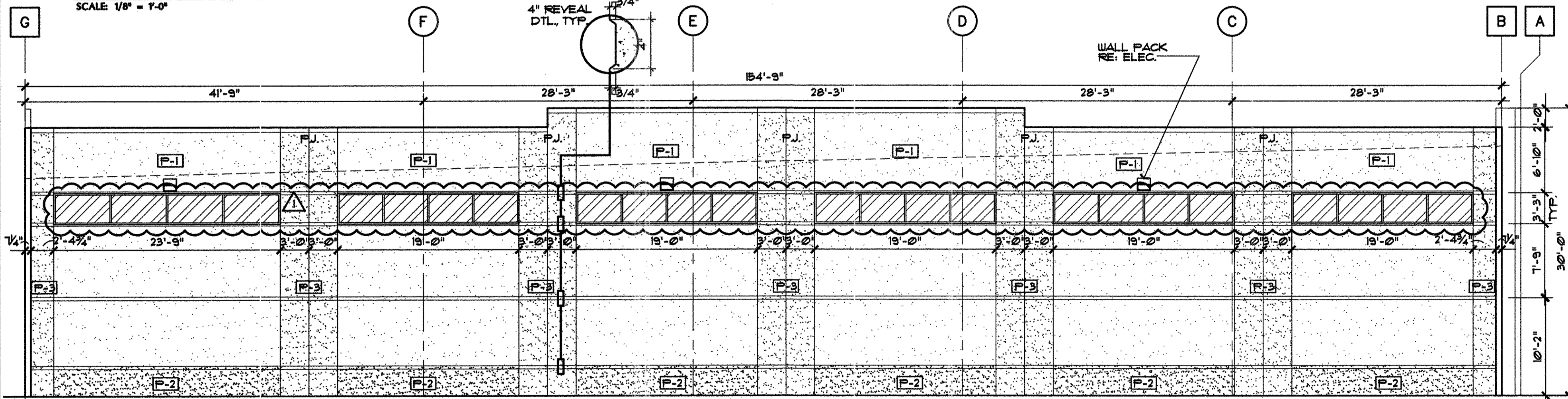
**01 NORTH ELEVATION - RED IRON**

SCALE 1/8" = 1'-0"



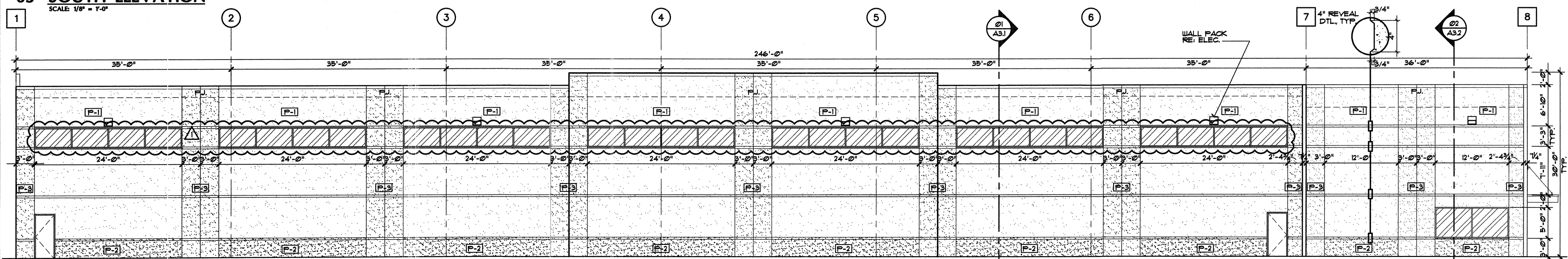
**02 WEST ELEVATION**

SCALE 1/8" = 1'-0"



**03 SOUTH ELEVATION**

SCALE 1/8" = 1'-0"



**04 EAST ELEVATION - PIPESTONE**

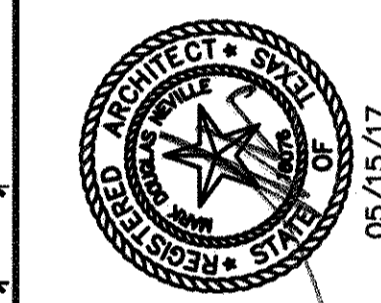
SCALE 1/8" = 1'-0"

REQUIRED GLAZING	
RED IRON	154'-9" x 30' = 3,171 SF. x 20% = 158 SF.
PIPESTONE	246' x 30' = 6,346 SF. x 20% = 1,269 SF.
TOTAL REQUIRED	2,024 SF.
TOTAL PROVIDED	2,143 SF.

REVISIONS	DATE	#
BID ADDENDUM #1	02/25/17	1

These drawings and accompanying Specifications are on an instrument of service and shall remain the property of the Architect. They are not to be used on other projects or extensions to this project except by agreement in writing and with appropriate compensation to the Architect. Contractor is responsible for confirming all existing conditions at the job site. The Architect is not responsible for construction means, methods, techniques, sequences or procedures, or for safety precautions and programs in connection with the project.

300 W. BITTERS ROAD, SUITE 204  
 SAN ANTONIO, TX 78216  
 VOICE: (210) 384-8900  
 FAX: (210) 384-8240  
 WEB: www.villapark-sa.com  
 © 2017 ALL RIGHTS RESERVED



FINISH SCHEDULE		
P-1	FIELD	TEXTURED PAINT - TBD (SPRAYMAX OR EQ.)
P-2	WAINSCOTE	TEXTURED PAINT - TBD (SPRAYMAX OR EQ.)
P-3	ACCENT	TEXTURED PAINT - TBD (SPRAYMAX OR EQ.)
M-1	METAL	TEXTURED PAINT - TBD (SPRAYMAX OR EQ.)

**ELEVATIONS**  
 TEXAS PLUMBING SUPPLY  
 35,100 SF OFFICE/WAREHOUSE BUILDING  
 17992 RED IRON  
 SCHERTZ, TEXAS 78154

DRAWN	NPS
CHECKED	JRF
DATE	05/15/17
PROJECT	TEXAS PLUMBING SUPPLY
JOB. NO.	17-100
SHEET	