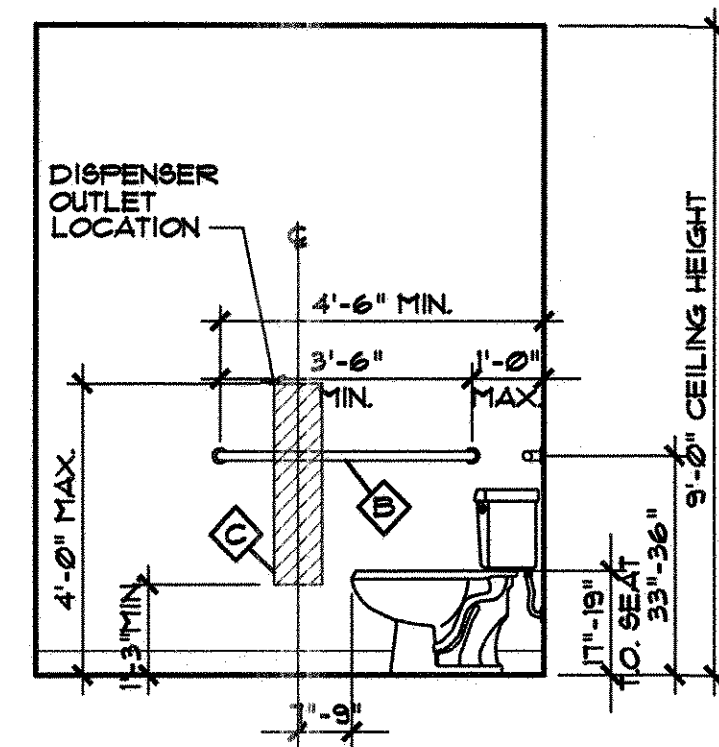
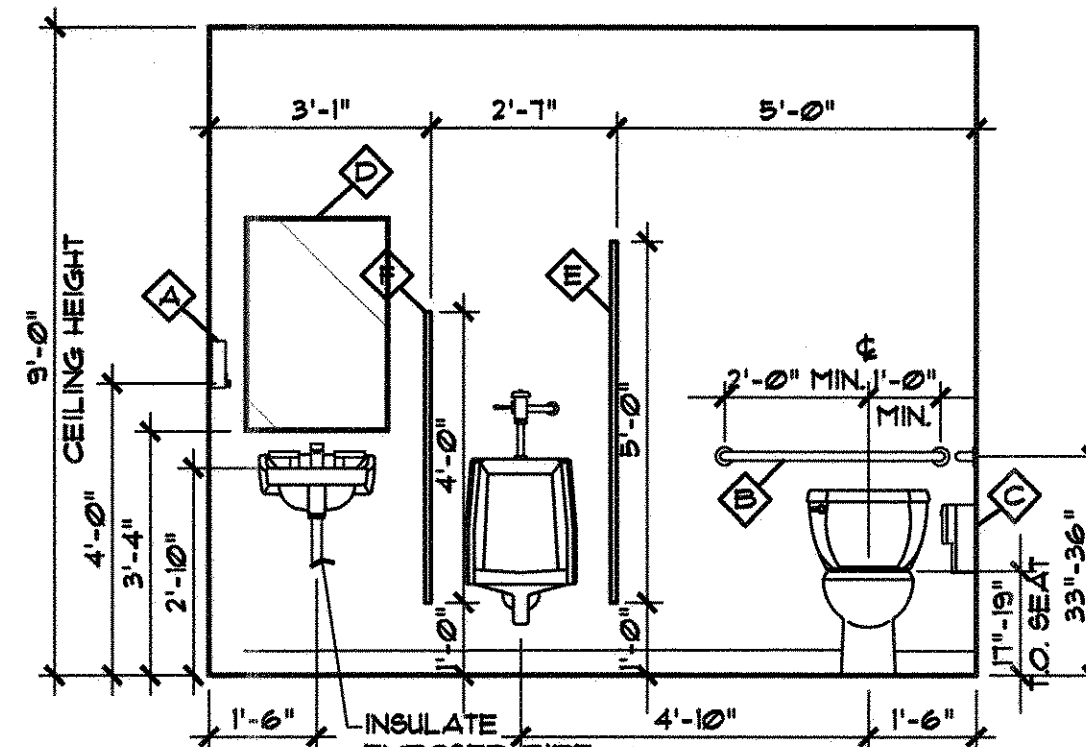


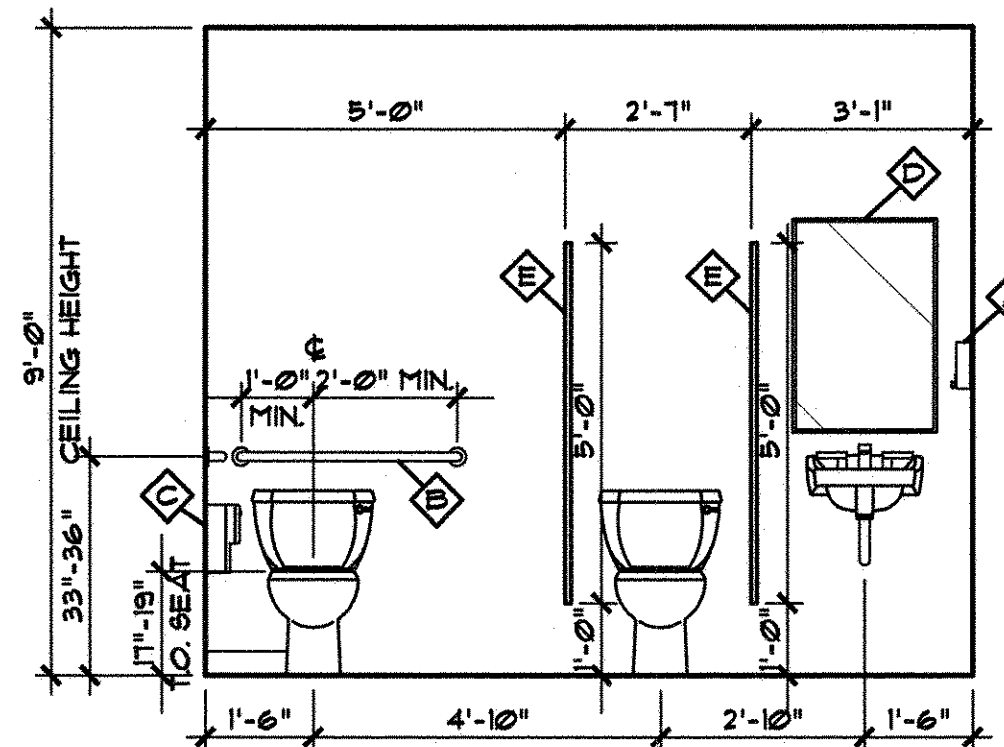
**01 MENS RESTROOM 102**  
SCALE: 3/8" = 1'-0"



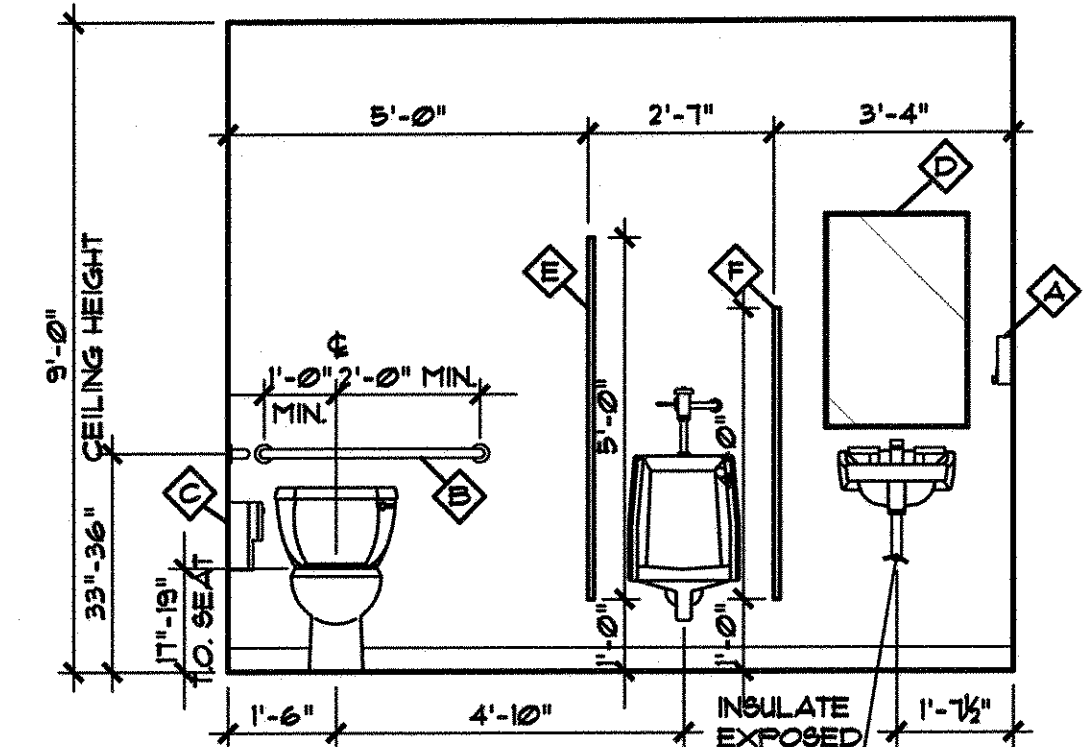
**02 RESTROOM, TYP.**  
SCALE: 3/8" = 1'-0"



**03 MENS RESTROOM 108**  
SCALE: 3/8" = 1'-0"



**04 WOMENS RESTROOM 109**  
SCALE: 3/8" = 1'-0"



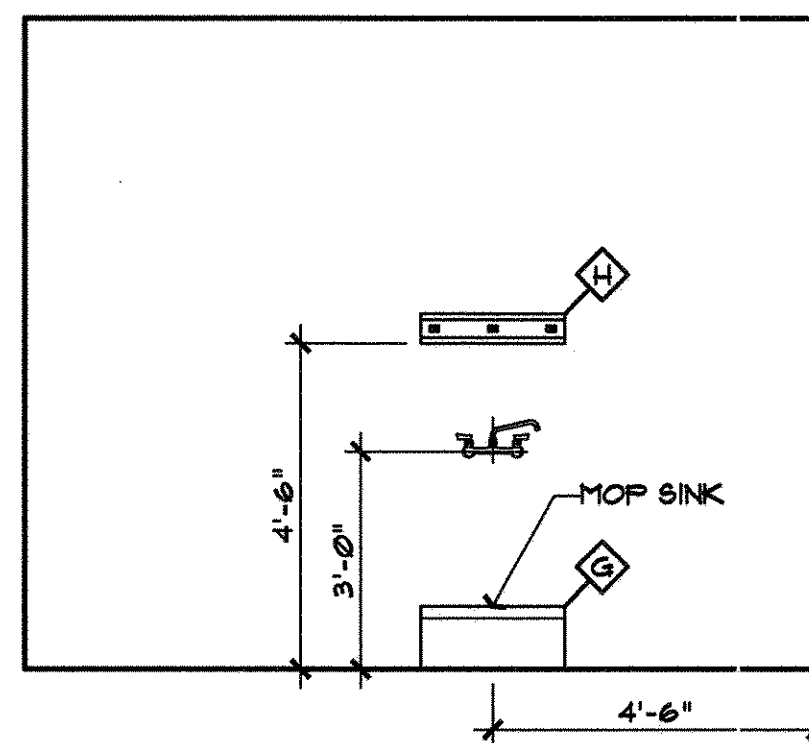
**05 MENS RESTROOM 117**  
SCALE: 3/8" = 1'-0"

**KEY NOTES:**

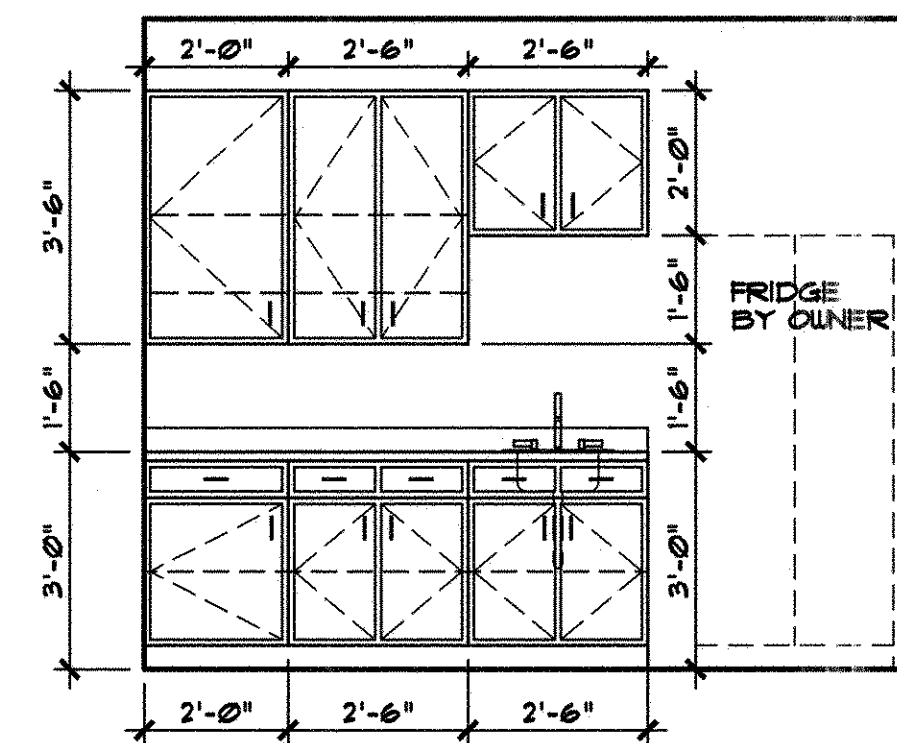
- 1 BOBRICK MODEL B-8226 SURFACE-MOUNTED SOAP DISPENSER
- 2 BOBRICK MODEL B-6806-4256806-36 SERIES I 1/4" DIA. STAINLESS STEEL GRAB BAR W/ SNAP FLANGE, 36", 42"
- 3 BOBRICK MODEL MB-2888 SURFACE MOUNTED MULTI-ROLL TOILET TISSUE DISPENSER
- 4 BOBRICK MODEL MB-1556 2436 2'X4' STAINLESS STEEL MIRROR
- 5 5'-0" WALL HUNG SOLID PLASTIC TOILET SCREEN
- 6 4'-0" WALL HUNG SOLID PLASTIC URINAL SCREEN
- 7 MOP SINK, RE: PLUMBING
- 8 MOP HOLDER MOUNTING HEIGHT #4'-0" FOR (3) MOPS

**NOTE:**

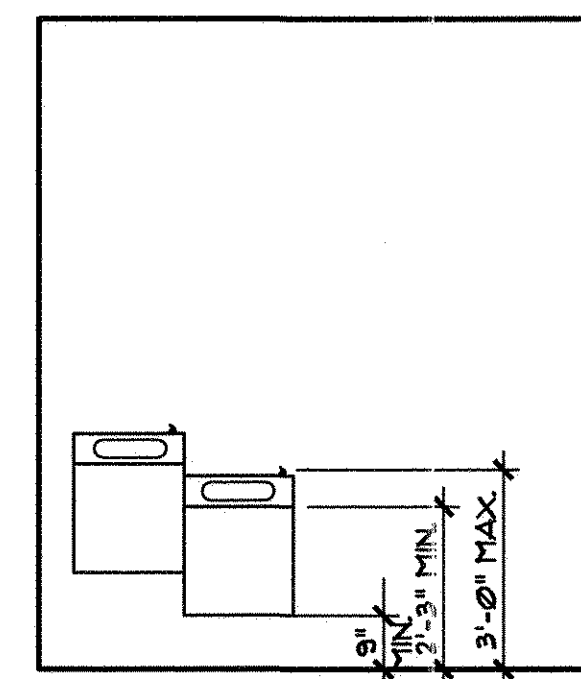
1. SHEAR STRESS INDUCED ON A GRAB BAR OR SEAT BY THE APPLICATION OF 250 LBF (112N) SHALL BE LESS THAN THE ALLOWABLE SHEAR STRESS FOR THE GRAB BAR OR SEAT.
2. GRAB BARS SHALL NOT ROTATE WITHIN THEIR FITTINGS
3. PROVIDE BLOCKING AS REQUIRED FOR ALL FIXTURES.
4. WRAP ALL EXPOSED PIPES UNDER SINK
5. PROVIDE BLOCKING FOR ALL FIXTURES AND PARTITIONS
6. ALL FIXTURES TO BE APPROVED BY OWNER.



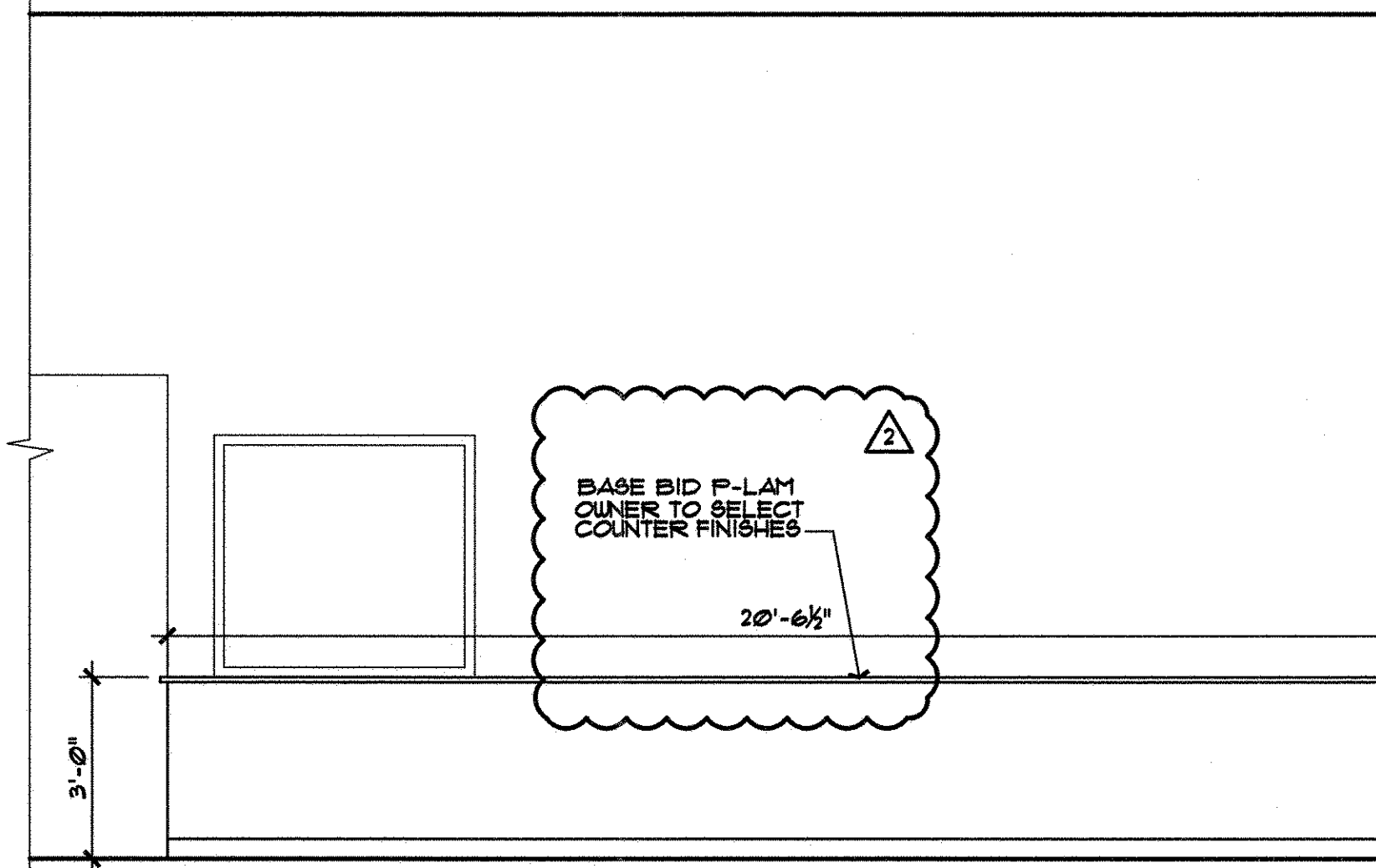
**06 MOP SINK 116**  
SCALE: 3/8" = 1'-0"



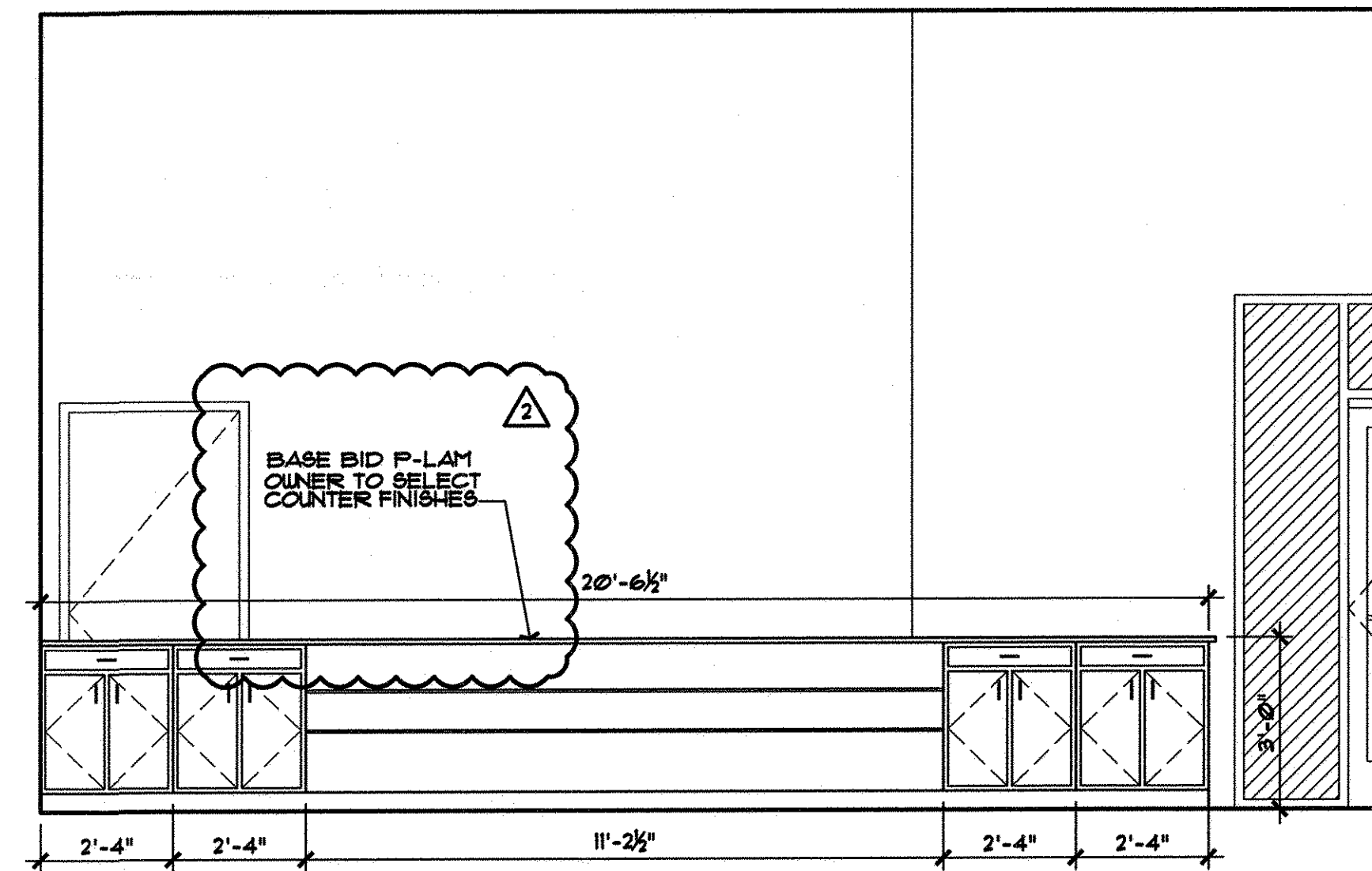
**07 BREAK 110**  
SCALE: 3/8" = 1'-0"



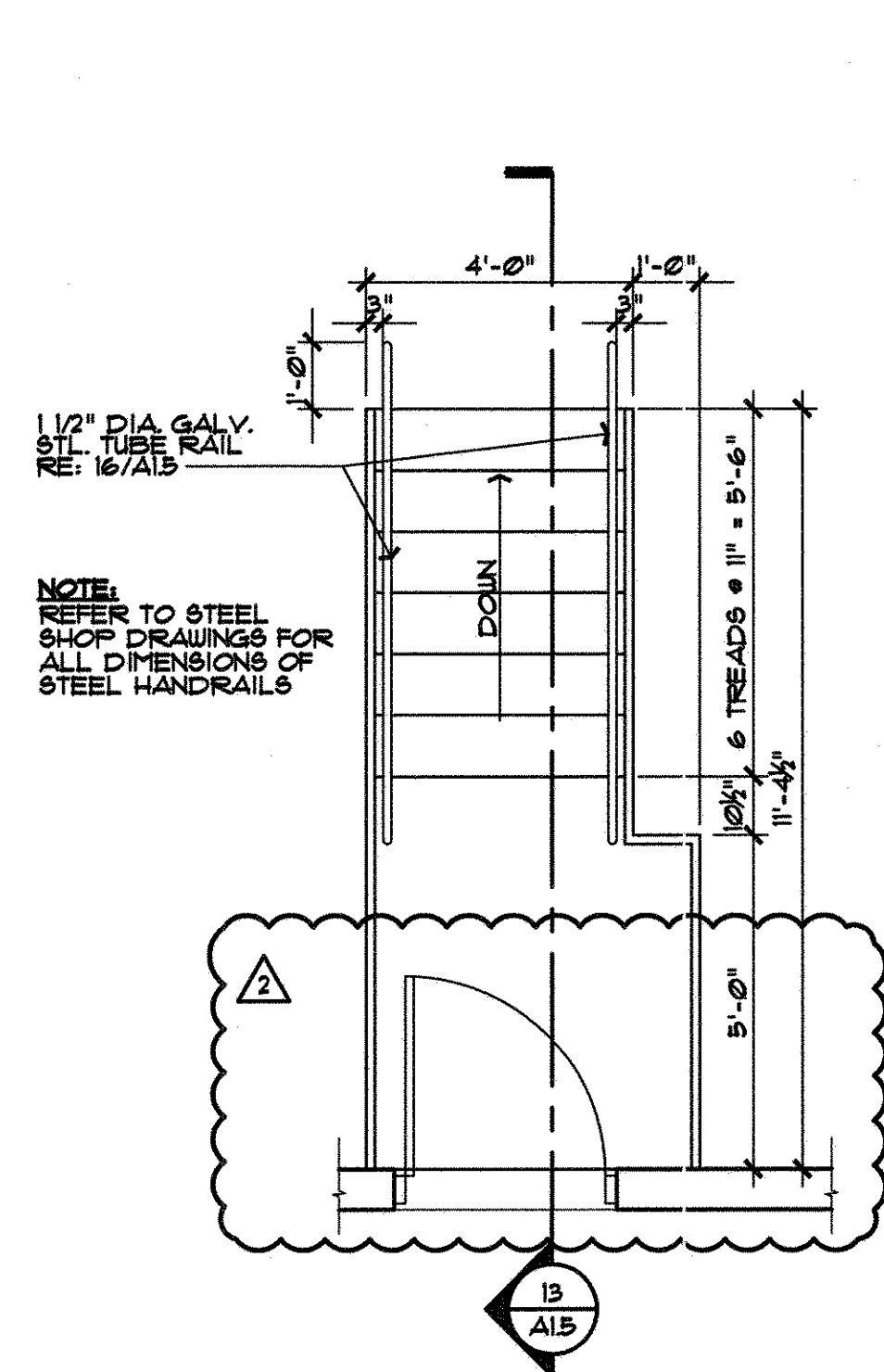
**08 FOUNTAINS, TYP.**  
SCALE: 3/8" = 1'-0"



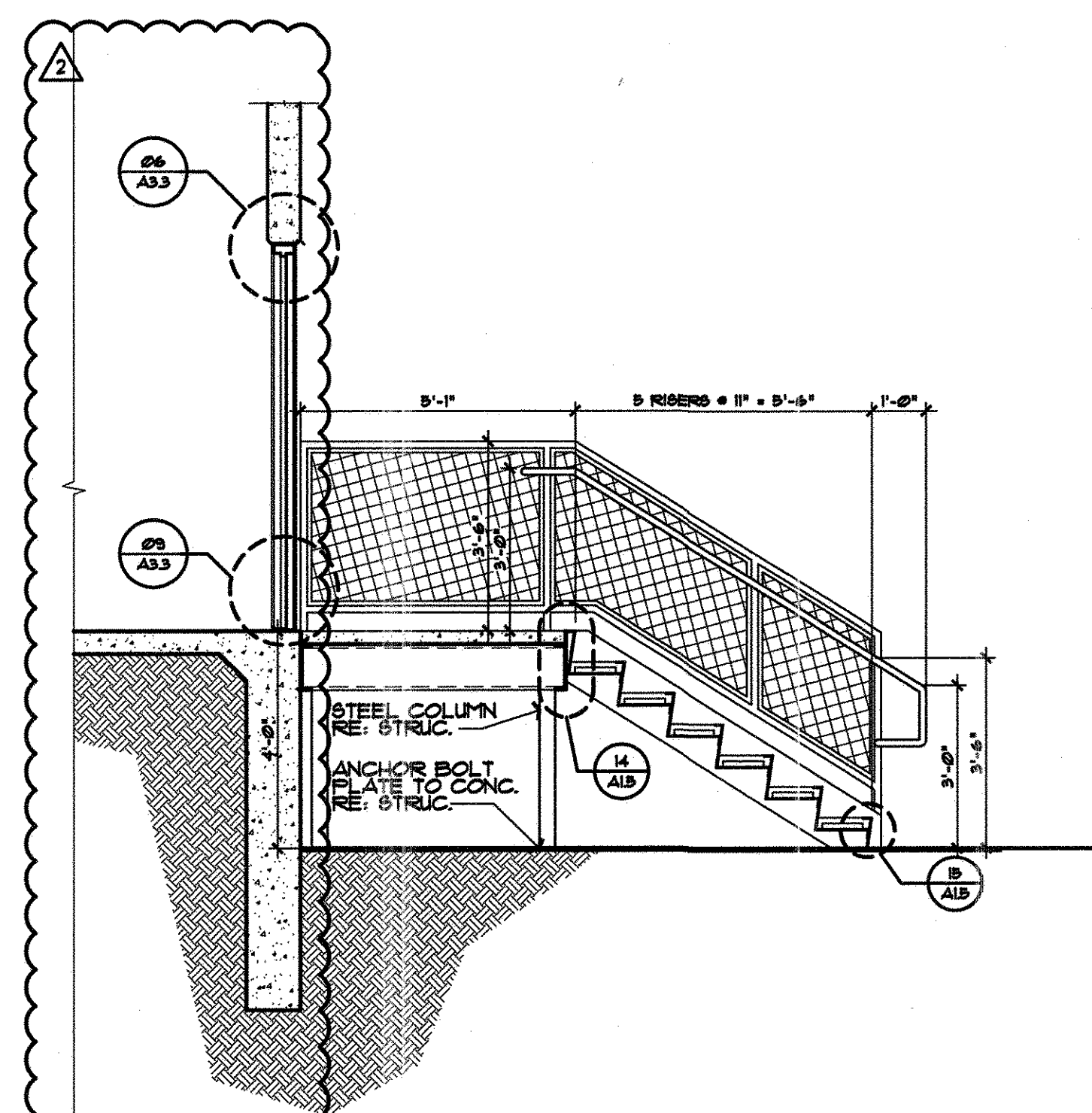
**09 COUNTER 101**  
SCALE: 3/8" = 1'-0"



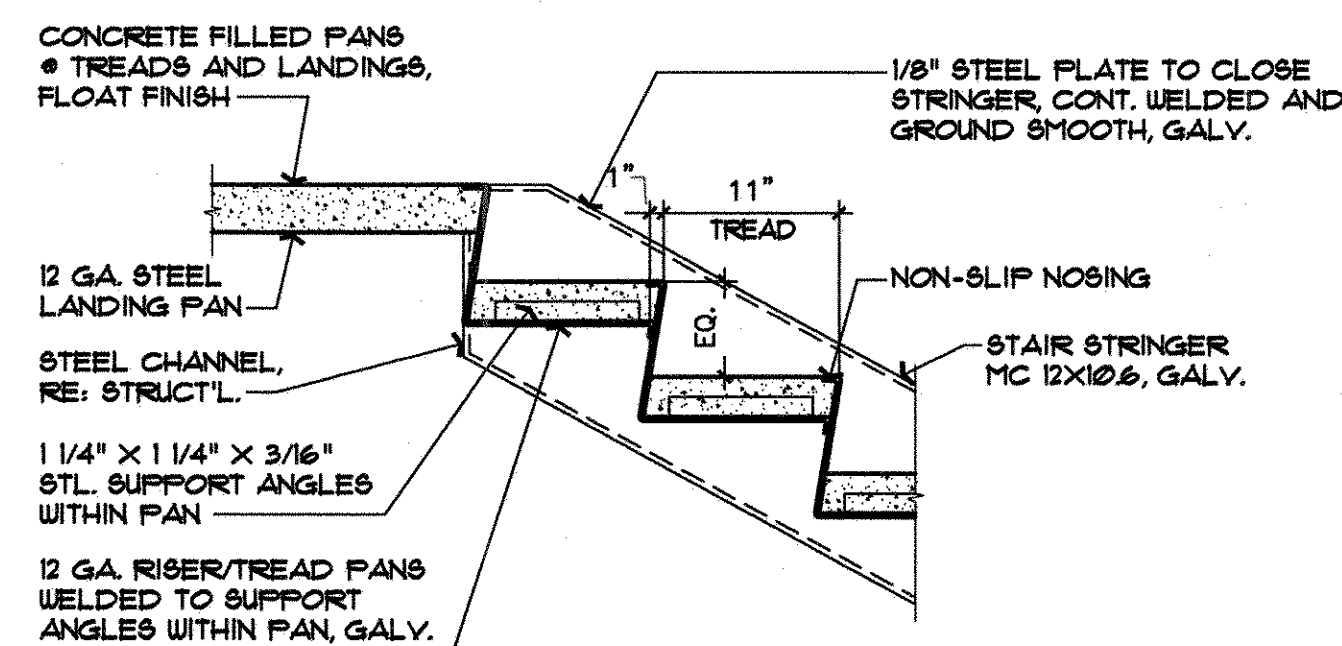
**10 COUNTER 101**  
SCALE: 3/8" = 1'-0"



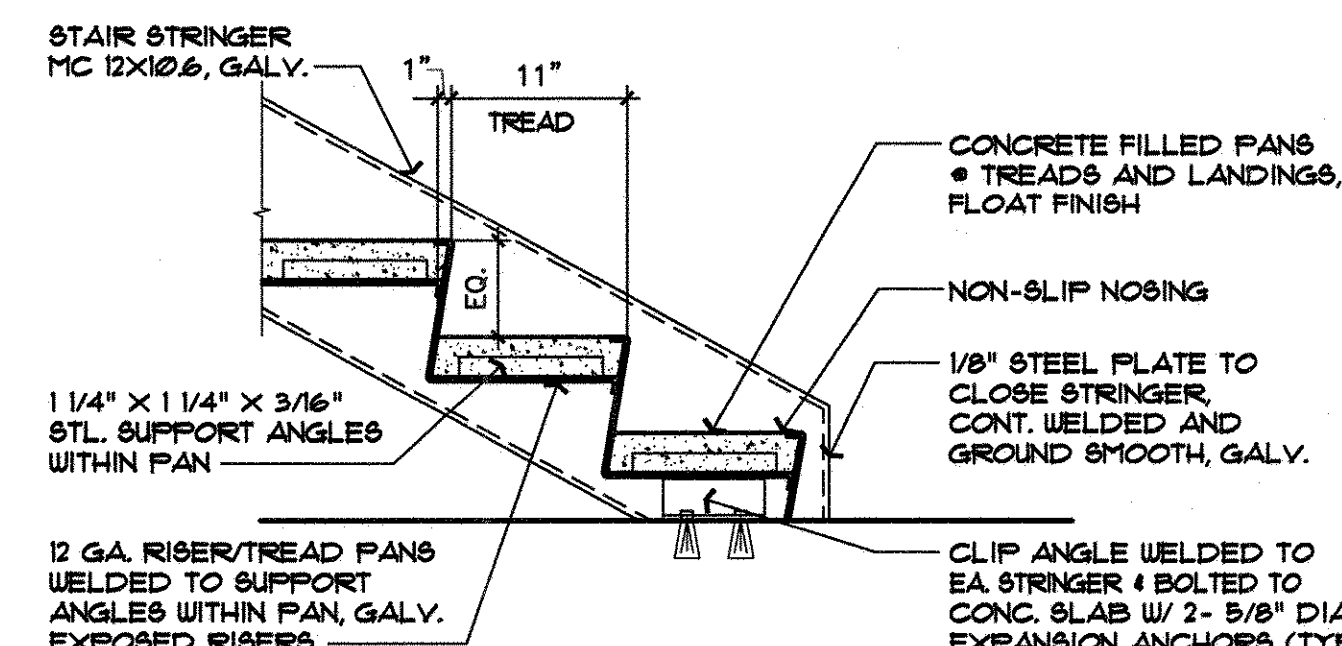
**12 STAIR PLAN**  
SCALE: 3/8" = 1'-0"



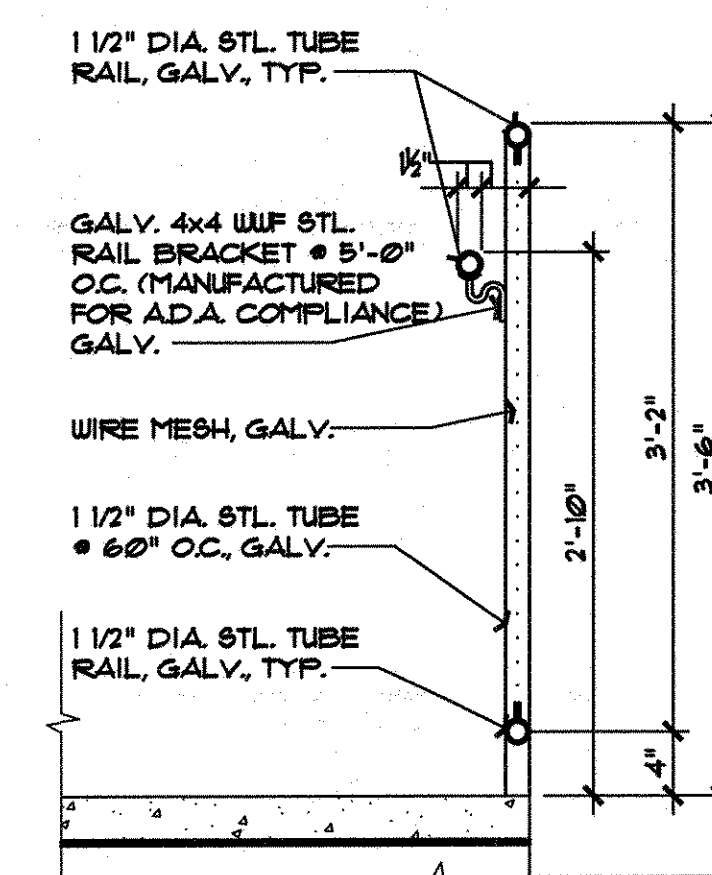
**13 STAIR SECTION**  
SCALE: 3/8" = 1'-0"



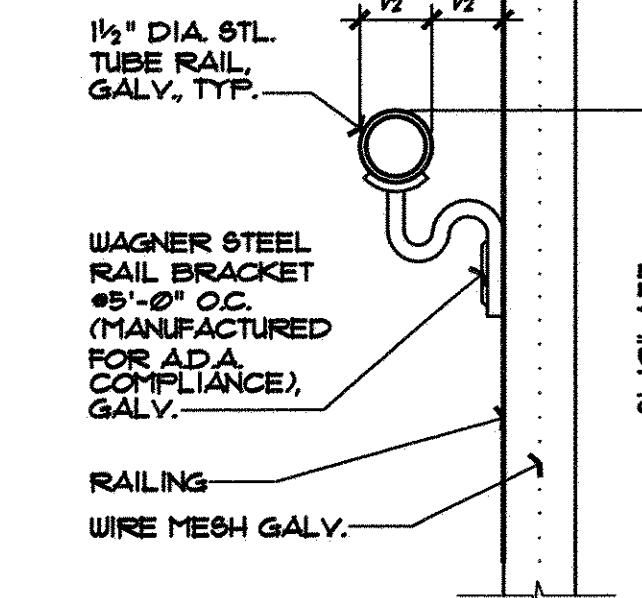
**14 STAIR DETAIL**  
SCALE: 3/8" = 1'-0"



**15 STAIR DETAIL**  
SCALE: 3/8" = 1'-0"



**16 HANDRAIL DETAIL**  
SCALE: 3/8" = 1'-0"

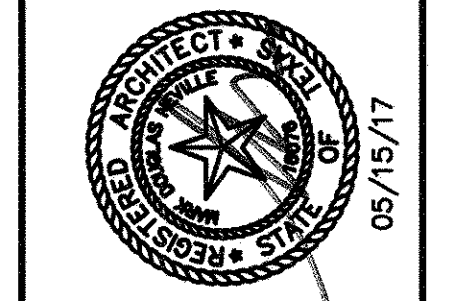


**17 HANDRAIL DETAIL**  
SCALE: 3/8" = 1'-0"

REVISIONS	DATE	#
BID ADDENDUM 02	02/26/17	2

These drawings and accompanying Specifications are to be an instrument of service and shall remain the property of the Architect. They are not to be used on other projects or alterations to this project except by agreement in writing and with appropriate compensation to the Architect. Contractor is responsible for confirming and complying dimensions at the job site. The Architect will not be responsible for construction means, methods, techniques, sequences or procedures, or for safety precautions and programs in connection with the project.

300 W. BITTERS ROAD, SUITE 204  
SAN ANTONIO, TX 78216  
VOICE: (210) 384-9900  
FAX: (210) 384-8240  
WEB: www.villapark-as.com  
© 2017 ALL RIGHTS RESERVED



**ENLARGED PLANS AND DETAILS**  
TEXAS PLUMBING SUPPLY  
35,100 SF OFFICE/WAREHOUSE BUILDING  
17992 RED IRON  
SCHERTZ, TEXAS 78154

DRAWN: NPS  
CHECKED: JRF  
DATE: 05/15/17  
PROJECT: TEXAS PLUMBING SUPPLY  
JOB NO.: 17-100  
SHEET