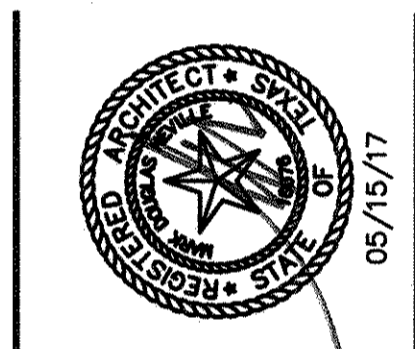


REVISIONS	DATE	#
BID ADDENDUM #1	05/25/11	1
BID ADDENDUM #2	05/26/11	2

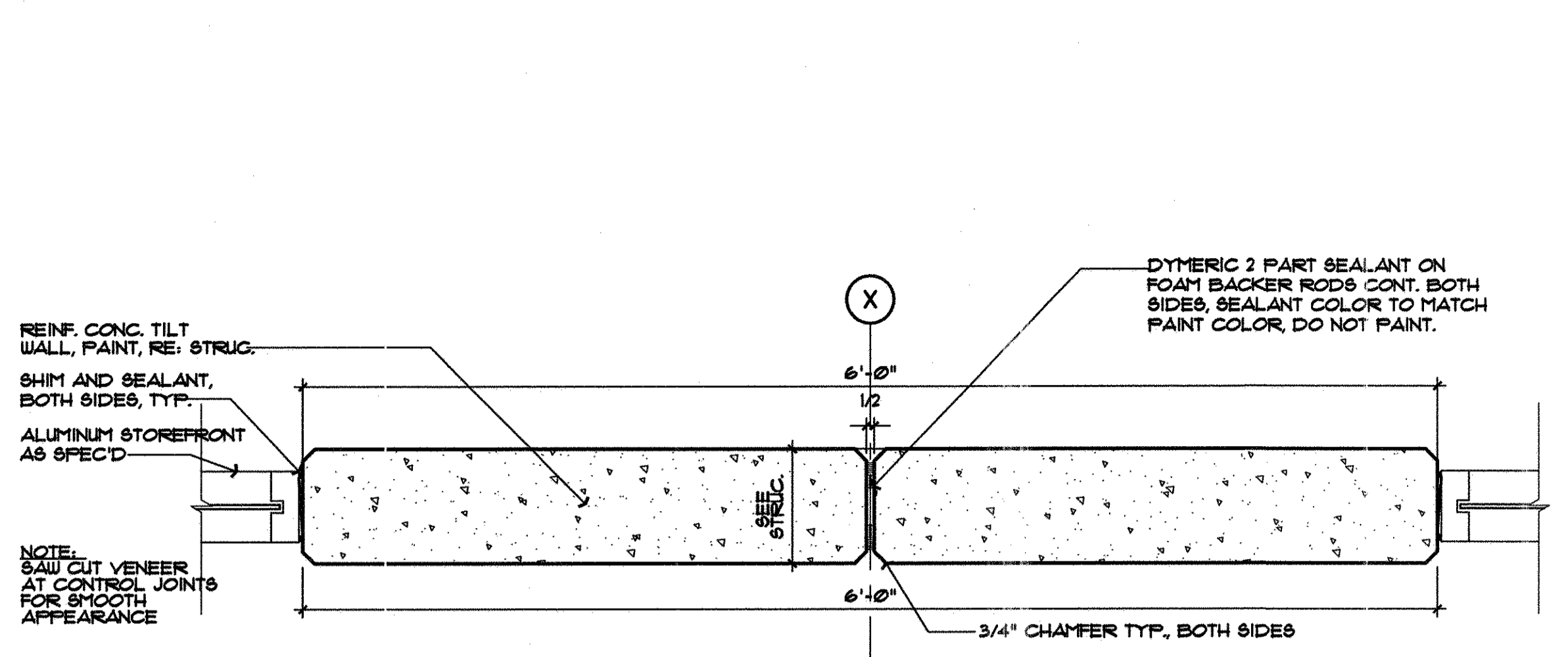
These drawings and accompanying Specifications are to be used in connection with the contract for the construction of the project. They are not to be used on other projects or for any other purpose without the written consent of the Architect. The Contractor is responsible for confirming all dimensions and conditions at the job site. The Architect is not responsible for construction means, methods, techniques, sequences or procedures, or for safety precautions and programs in connection with the project.

300 W. BITTERS ROAD, SUITE 204  
 SAN ANTONIO, TX 78216  
 VOICE: (210) 384-8900  
 FAX: (210) 384-8240  
 WWW.VILLAPARK-SA.COM  
 © 2011 ALL RIGHTS RESERVED

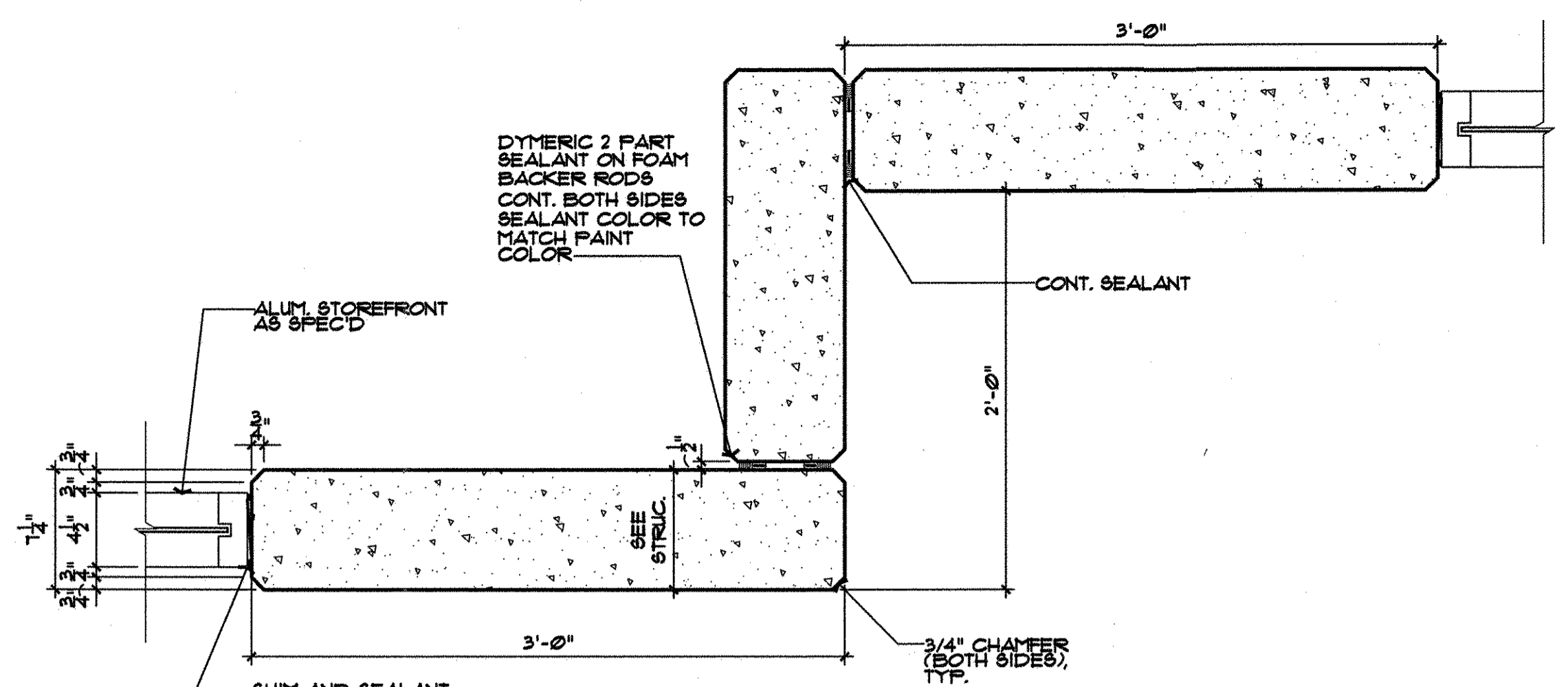


**DOOR / WINDOW SCHEDULE AND DETAILS**  
 TEXAS PLUMBING SUPPLY  
 35,100 SF OFFICE/WAREHOUSE BUILDING  
 17992 RED IRON  
 SCHERTZ, TEXAS 78154

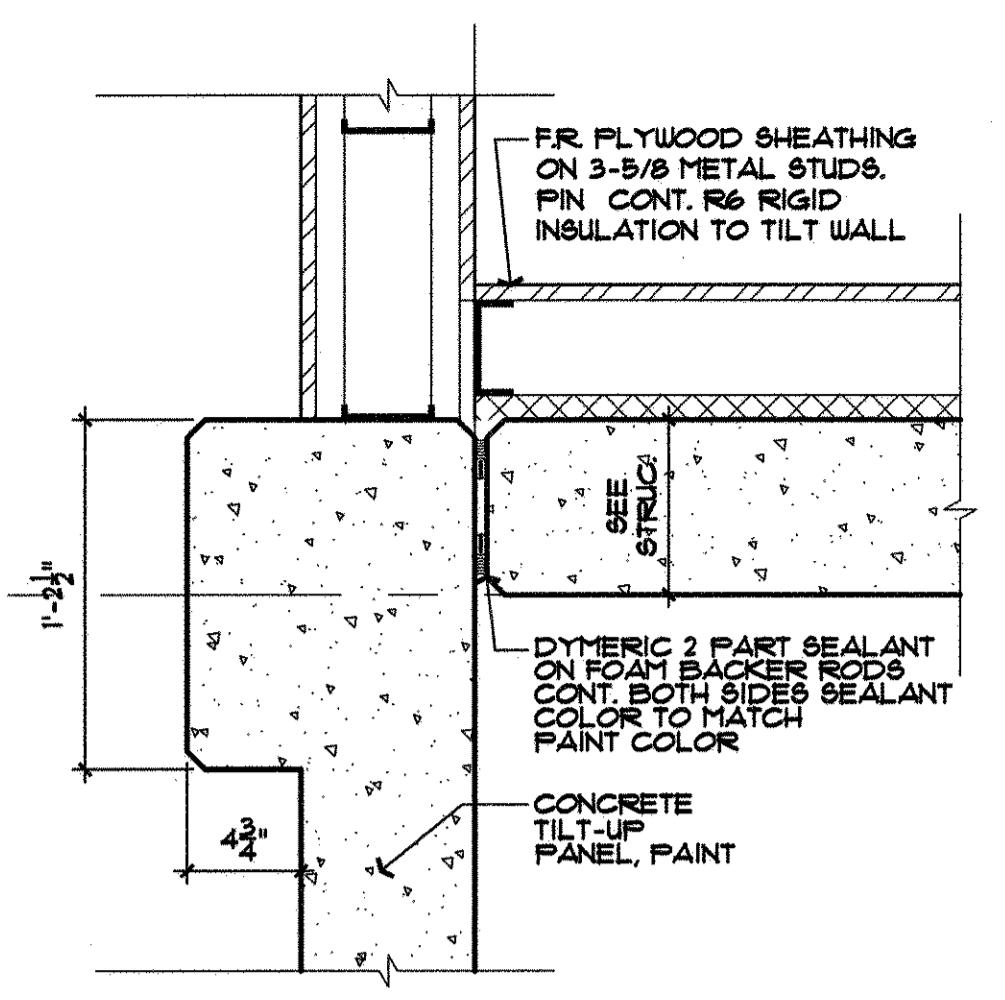
DRAWN	NPS
CHECKED	JRF
DATE	05/15/17
PROJECT	TEXAS PLUMBING SUPPLY
JOB. NO.	17-100
SHEET	



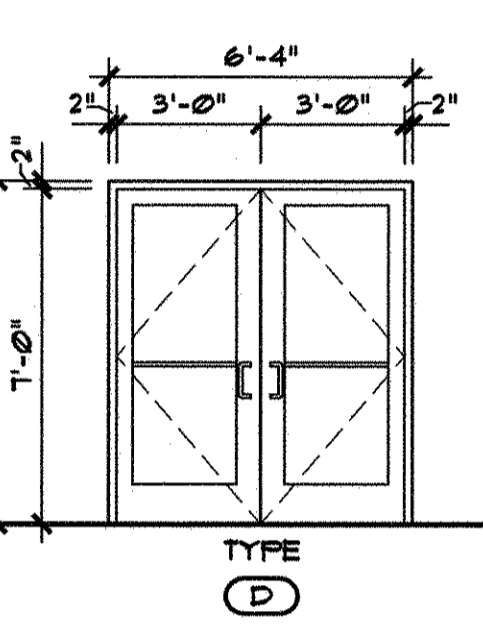
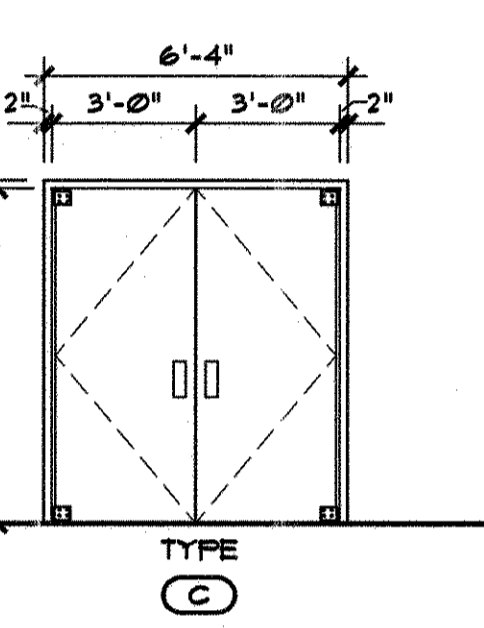
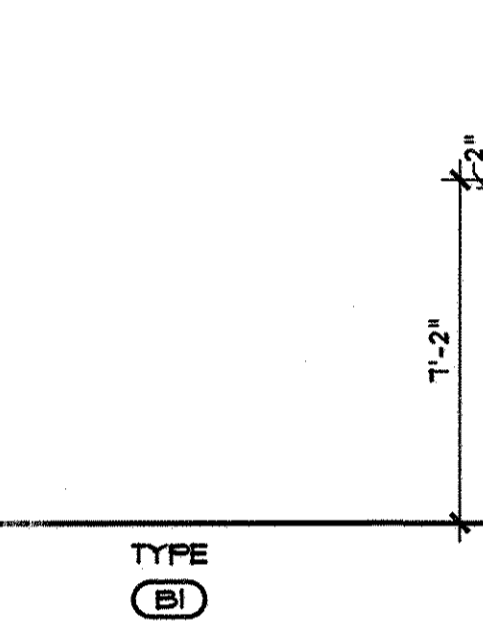
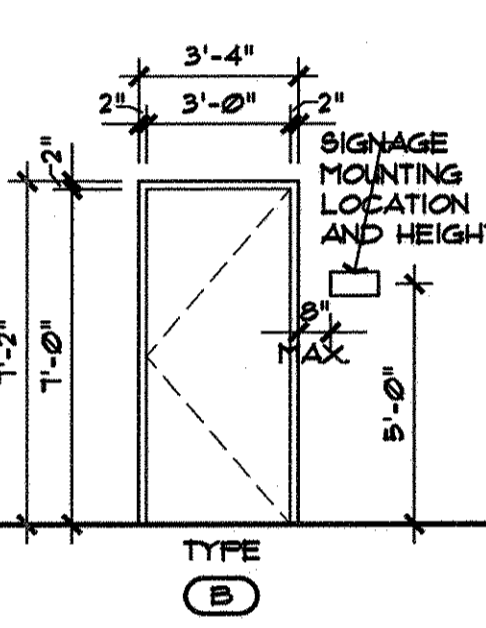
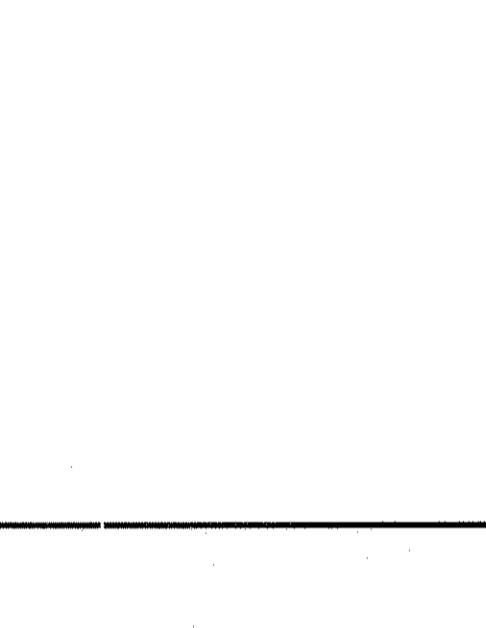
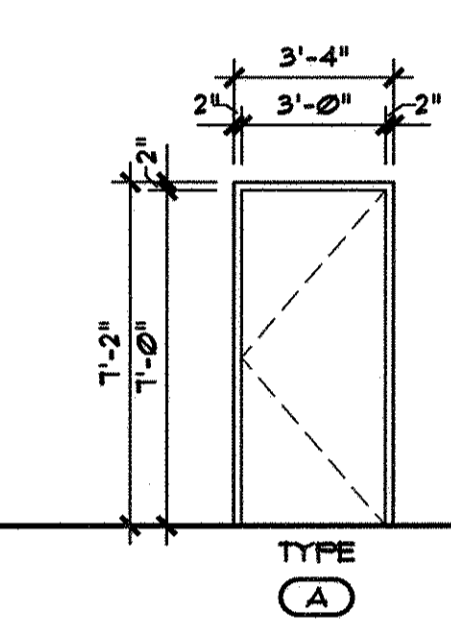
**01 PANEL JOINT**  
 SCALE: 1 1/2" = 1'-0"



**02 PANEL JOINT - CORNER**  
 SCALE: 1 1/2" = 1'-0"



**03 PANEL JOINT - CORNER**  
 SCALE: 1 1/2" = 1'-0"



**HEAVY-DUTY HOLLOW MTL. DOOR W/ HOLLOW MTL. FRAME.**  
 PROVIDE:  
 -3 HINGES W/ NON-REMOVABLE PINS  
 -1 SURFACE CLOSURE  
 -1 4\"/>

**SOLID CORE WOOD DOOR W/ HOLLOW MTL. FRAME.**  
 PROVIDE:  
 -3 HINGES  
 -1 SURFACE CLOSURE  
 -1 LEVER HANDLE  
 -1 KICK PLATE TO TOILET ONLY  
 -1 DOOR SILENCERS  
 -1 WALL/FLOOR DOOR STOP

**EASY SWING DOUBLE ACTION DOOR, SOLID CORE, WOOD VIEWPORT, OR EQUAL.**  
 PROVIDE:  
 -1 PUSH/FULL HARDWARE

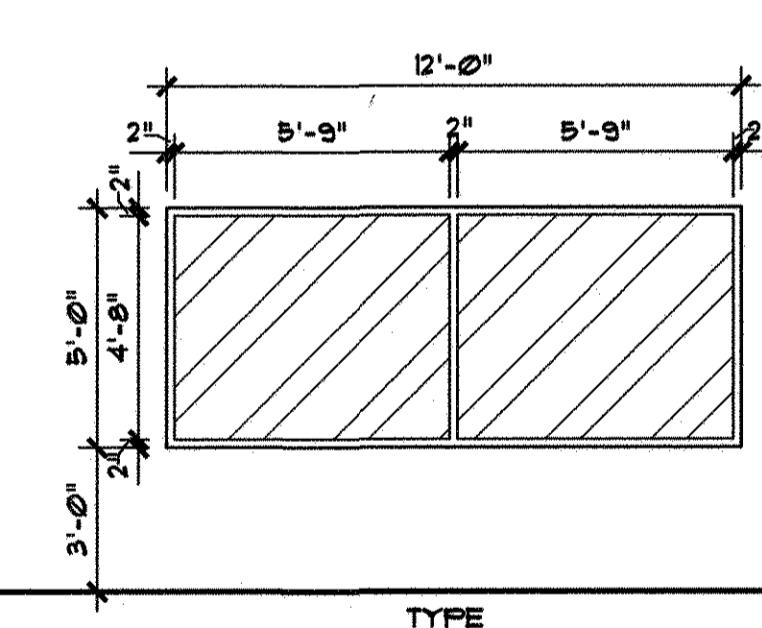
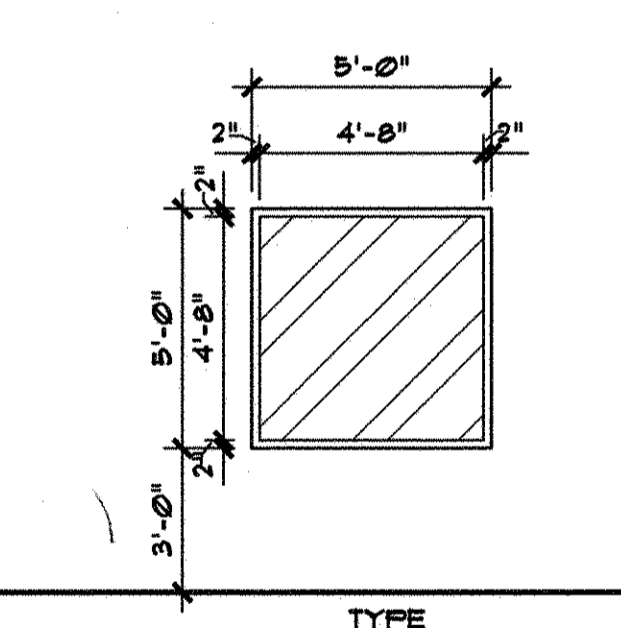
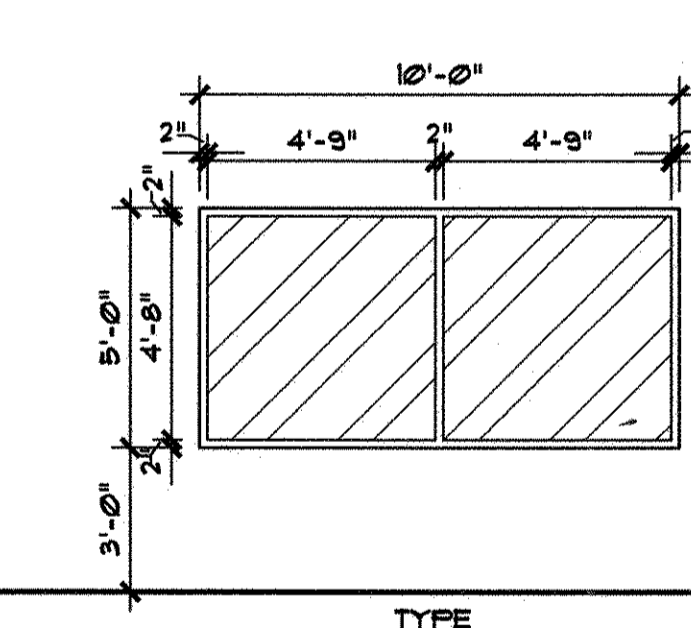
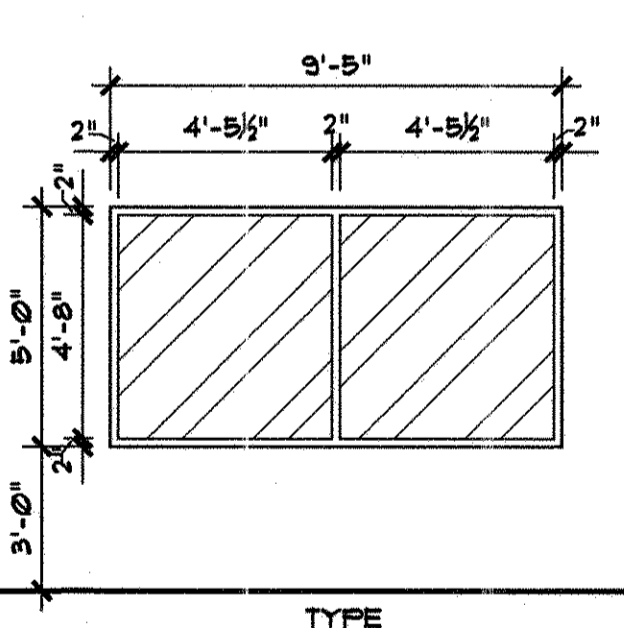
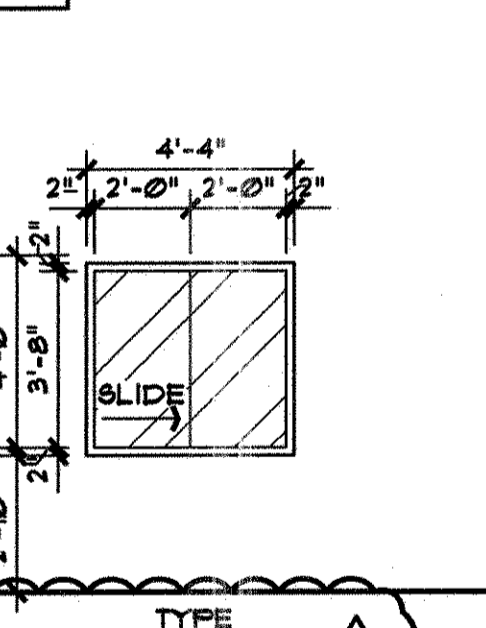
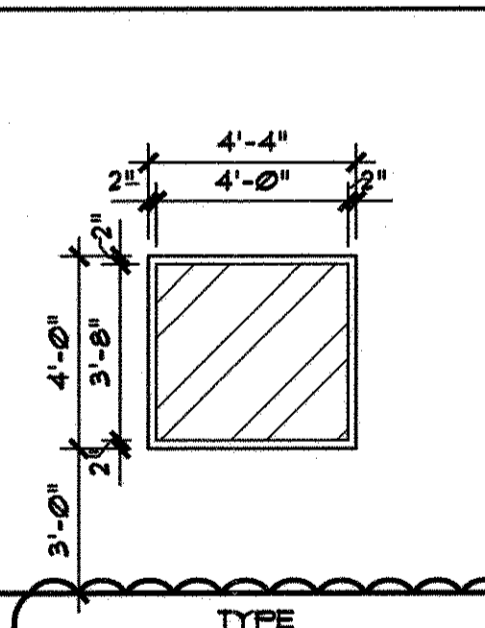
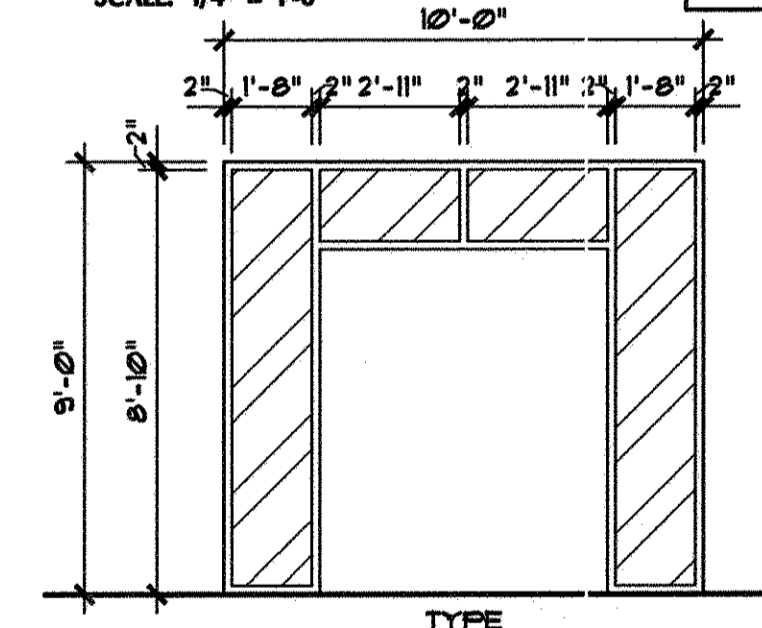
**DOUBLE STOREFRONT DOOR CLEAR ANOD. ALUM. FRAME W/ 1/4\"/>
 PROVIDE:  
 -6 PIVOTS  
 -2 SURFACE CLOSER  
 -1 4\"/>**

**MANUALLY OPERATED NON-INSULATED 24 GAUGE STEEL SECTIONAL OVERHEAD DOOR MODEL 422 OR EQUAL, NO WINDOW.**  
 RE: SPECS  
 PROVIDE:  
 - AS PER MANUFACTURERS REQUIREMENTS W/ PADLOCK

**MANUALLY OPERATED NON-INSULATED 24 GAUGE STEEL COILING OVERHEAD DOOR MODEL 600 OR EQUAL, NO WINDOW.**  
 RE: SPECS  
 PROVIDE:  
 - AS PER MANUFACTURERS REQUIREMENTS W/ PADLOCK

**DOOR TYPES**  
 SCALE: 1/4" = 1'-0"

**NOTE:**  
 1. COORDINATE LOCKSETS WITH OWNER.  
 2. 1/2" MAX. THRESHOLD HEIGHT.



**TYPE 1**  
 4 1/2" CLEAR ANODIZED ALUMINUM STOREFRONT W/ 1" TEMPERED "AGC ENERGY SELECT 40 (2) CLEAR" LOW 'E' GLAZING, OR EQUAL, TYP.

**TYPE 2**  
 4 1/2" CLEAR ANODIZED ALUMINUM STOREFRONT W/ 1/4" TEMPERED GLAZING

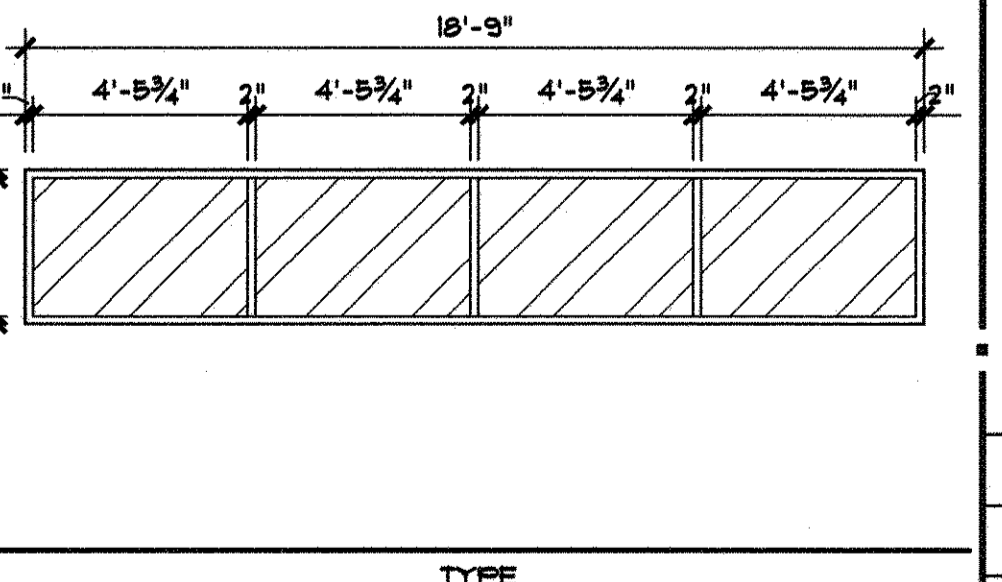
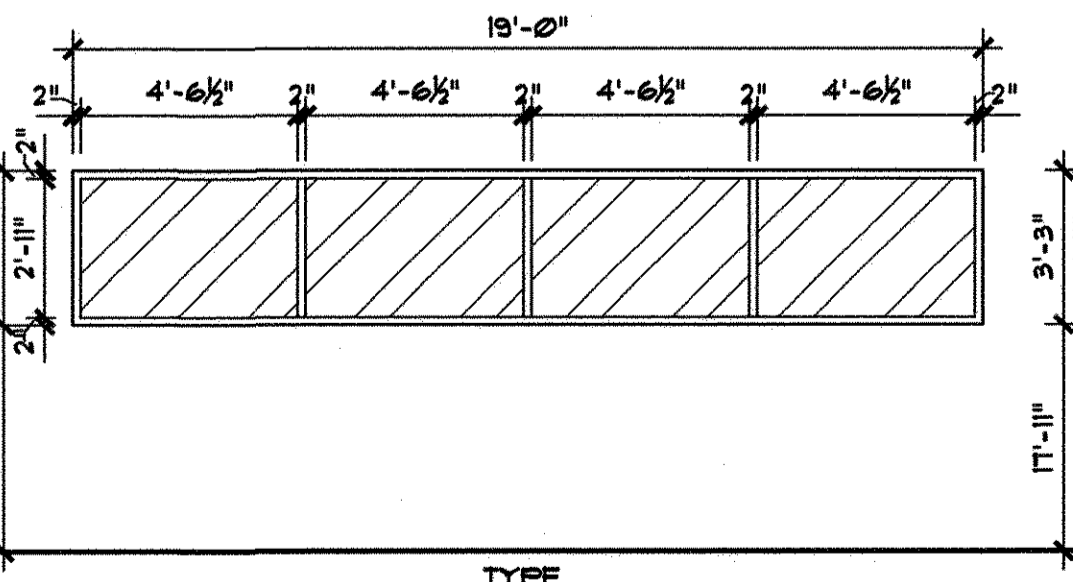
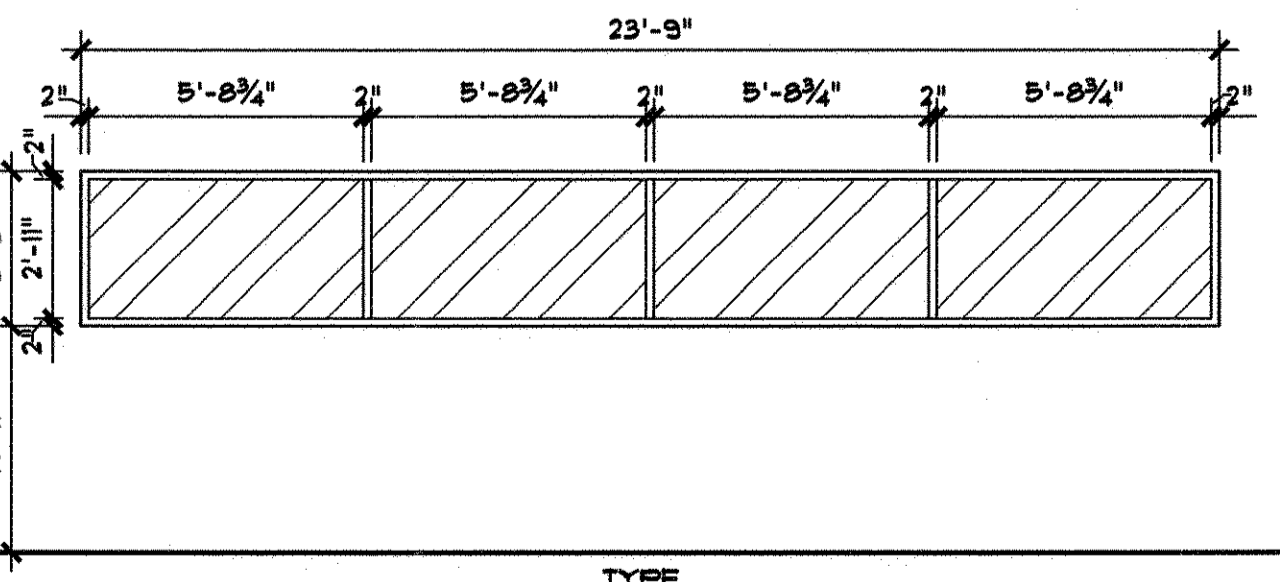
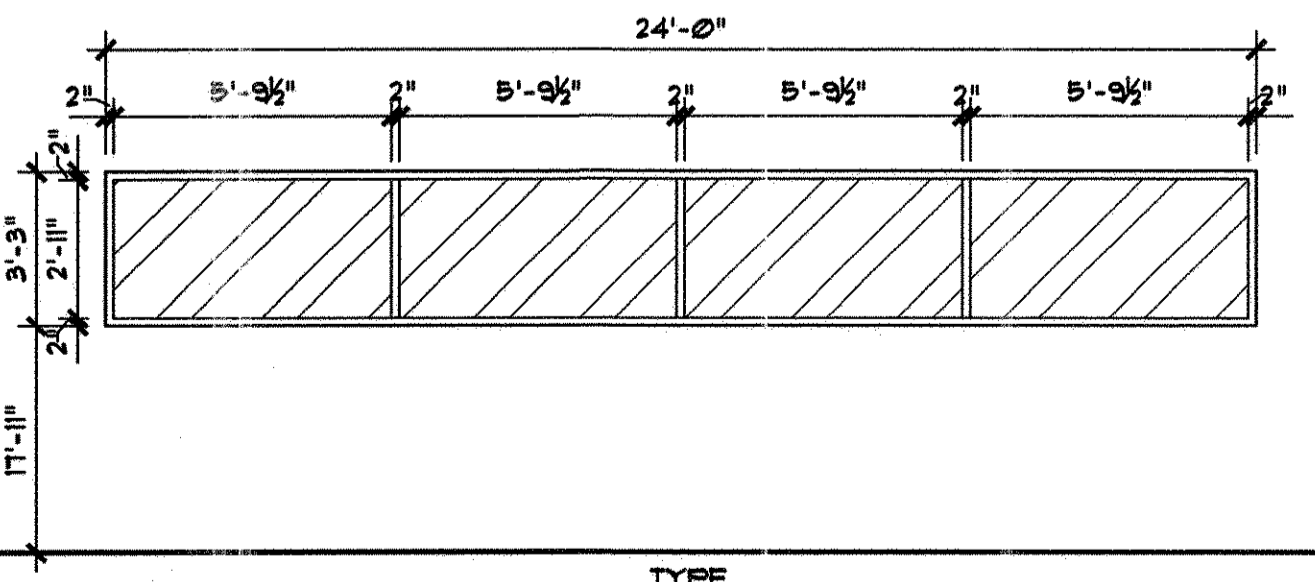
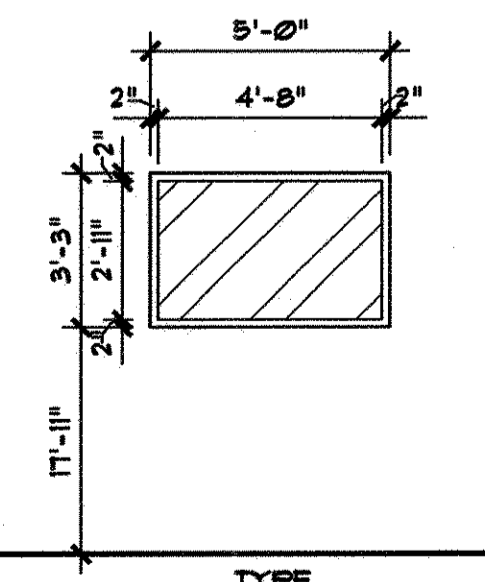
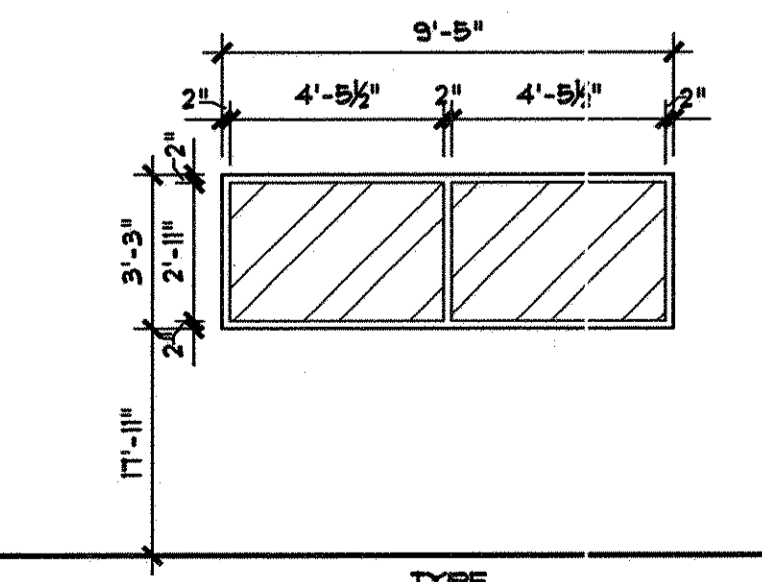
**TYPE 3**  
 CLEAR ALUMINUM SLIDING WINDOW, OLDCASTLE SIGNATURE SERIES 4" HORIZONTAL SLIDER, OR EQUAL

**TYPE 4**  
 4 1/2" CLEAR ANODIZED ALUMINUM STOREFRONT W/ 1" TEMPERED "AGC ENERGY SELECT 40 (2) CLEAR" LOW 'E' GLAZING, OR EQUAL, TYP.

**TYPE 5**  
 4 1/2" CLEAR ANODIZED ALUMINUM STOREFRONT W/ 1" TEMPERED "AGC ENERGY SELECT 40 (2) CLEAR" LOW 'E' GLAZING, OR EQUAL, TYP.

**TYPE 6**  
 4 1/2" CLEAR ANODIZED ALUMINUM STOREFRONT W/ 1" TEMPERED "AGC ENERGY SELECT 40 (2) CLEAR" LOW 'E' GLAZING, OR EQUAL, TYP.

**TYPE 7**  
 4 1/2" CLEAR ANODIZED ALUMINUM STOREFRONT W/ 1" TEMPERED "AGC ENERGY SELECT 40 (2) CLEAR" LOW 'E' GLAZING, OR EQUAL, TYP.



**TYPE 8**  
 4 1/2" CLEAR ANODIZED ALUMINUM STOREFRONT W/ 1" TEMPERED "AGC ENERGY SELECT 20 PURE BRONZE (2) CLEAR" GLAZING, OR EQUAL, TYP. RE: SPECS

**TYPE 9**  
 4 1/2" CLEAR ANODIZED ALUMINUM STOREFRONT W/ 1" TEMPERED "AGC ENERGY SELECT 20 PURE BRONZE (2) CLEAR" GLAZING, OR EQUAL, TYP. RE: SPECS

**TYPE 10**  
 4 1/2" CLEAR ANODIZED ALUMINUM STOREFRONT W/ 1" TEMPERED "AGC ENERGY SELECT 20 PURE BRONZE (2) CLEAR" GLAZING, OR EQUAL, TYP. RE: SPECS

**TYPE 11**  
 4 1/2" CLEAR ANODIZED ALUMINUM STOREFRONT W/ 1" TEMPERED "AGC ENERGY SELECT 20 PURE BRONZE (2) CLEAR" GLAZING, OR EQUAL, TYP. RE: SPECS

**TYPE 12**  
 4 1/2" CLEAR ANODIZED ALUMINUM STOREFRONT W/ 1" TEMPERED "AGC ENERGY SELECT 20 PURE BRONZE (2) CLEAR" GLAZING, OR EQUAL, TYP. RE: SPECS

**TYPE 13**  
 4 1/2" CLEAR ANODIZED ALUMINUM STOREFRONT W/ 1" TEMPERED "AGC ENERGY SELECT 20 PURE BRONZE (2) CLEAR" GLAZING, OR EQUAL, TYP. RE: SPECS

**WINDOW TYPES**  
 SCALE: 1/4" = 1'-0"