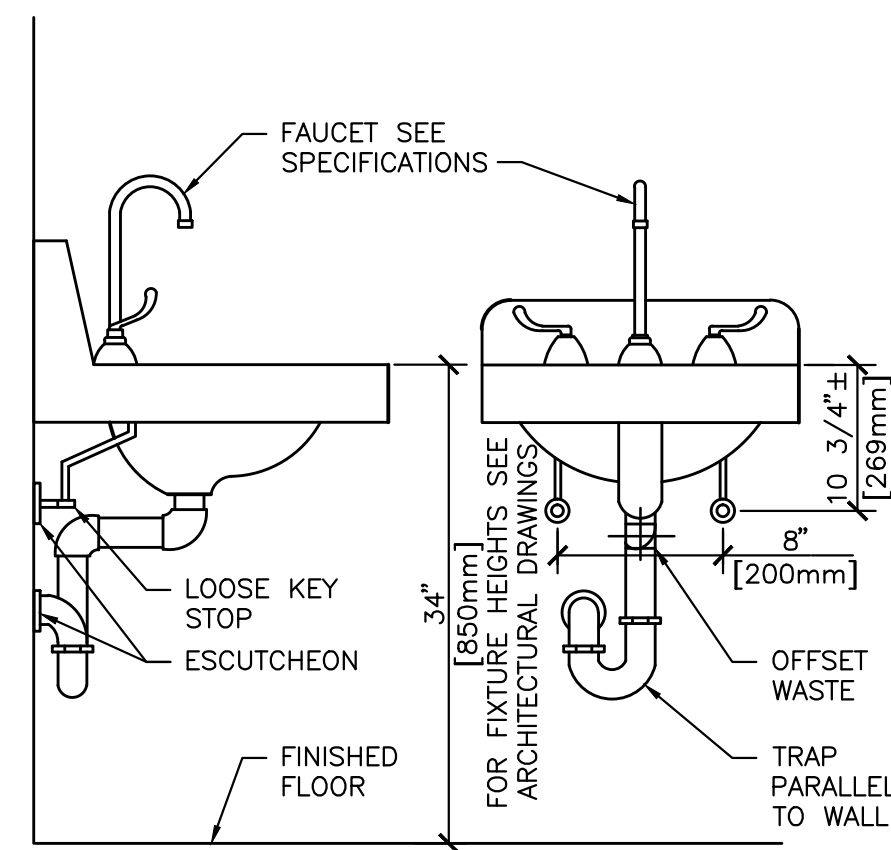
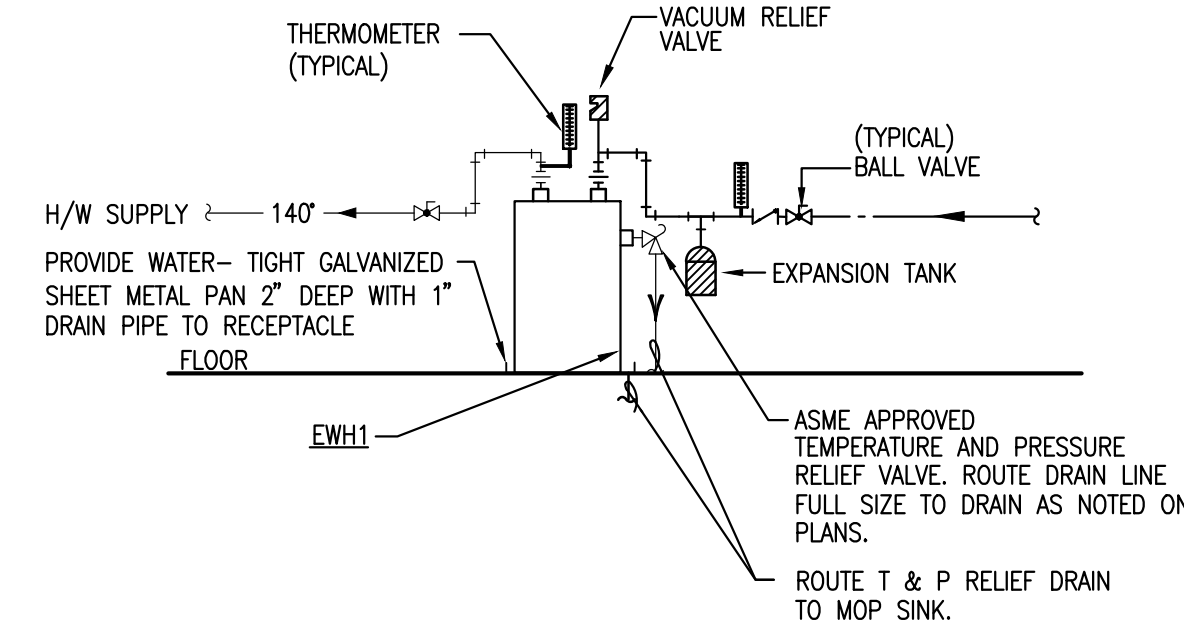


CAD
P
HN
MC
TP
M
E
PM
RCM

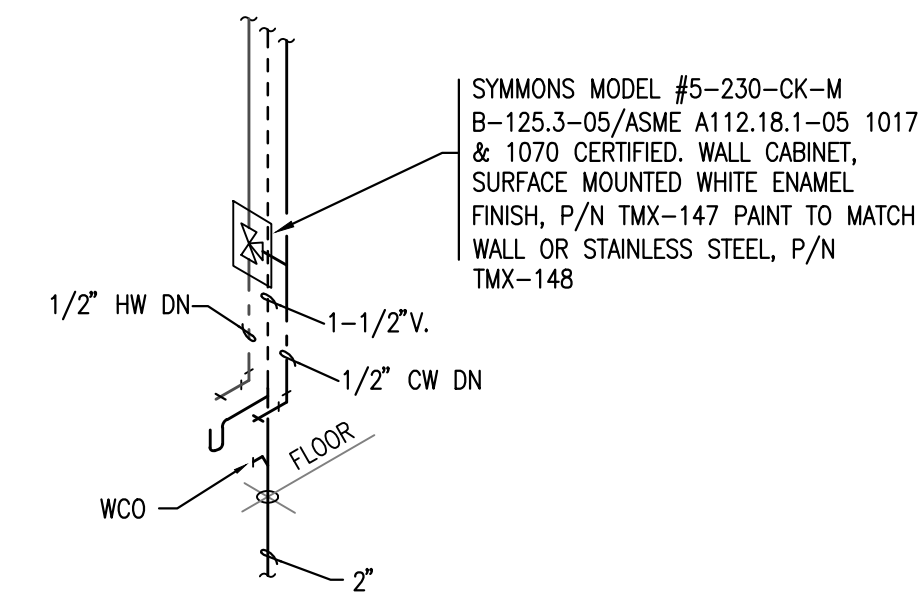


1 TYPICAL WHEELCHAIR LAVATORY DETAIL
SCALE: NOT TO SCALE

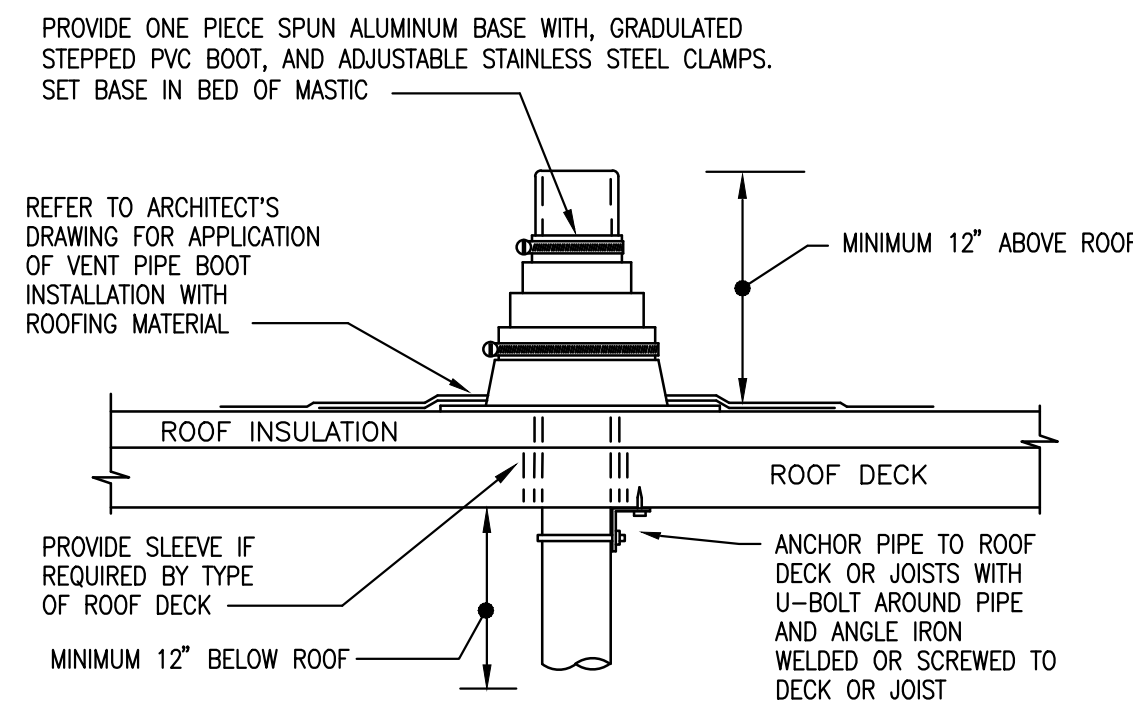


NOTE: REFER TO FLOOR PLAN FOR PIPE SIZES AND SCHEDULES AND SPECIFICATIONS FOR WATER HEATER AND CIRCULATING PUMP PERFORMANC REQUIREMENTS AND SIZES.

4 WATER HEATER DETAIL
SCALE: NOT TO SCALE

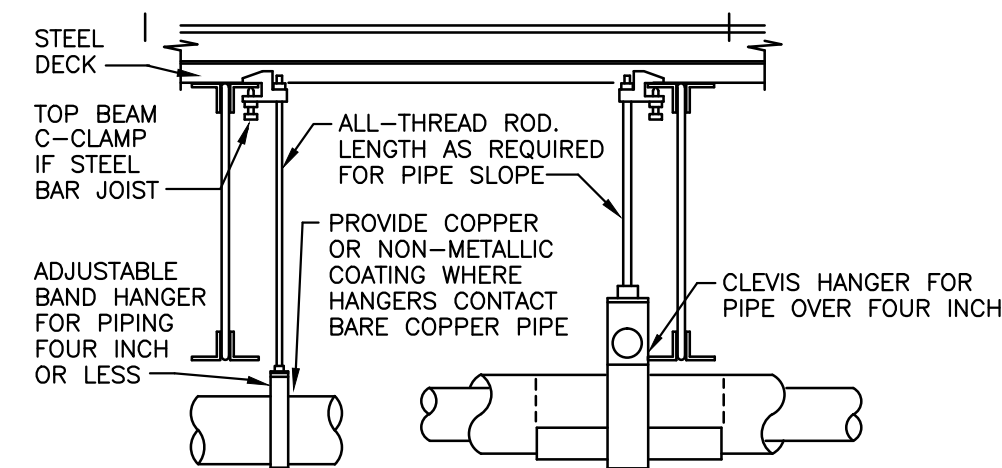


7 RISER - LAVATORY/SINK
SCALE: NOT TO SCALE



REFER TO PLANS FOR VTR PIPE SIZES AND LOCATIONS. LOCATE VTR MINIMUM TEN FEET HORIZONTAL OR THREE FEET VERTICAL ABOVE ANY BUILDING OPENING OR FRESH AIR INTAKE, AND ONE FOOT FROM ANY VERTICAL SURFACE. PROVIDE 1" FIBERGLASS INSULATION WITH ALL-SERVICE JACKET ON VENT PIPE INSIDE BUILDING WITHIN SIX FEET OF VENT THRU ROOF LOCATION. VERIFY FLASHING AND CONTERFLASHING WITH ROOFING CONTRACTOR.

2 VENT THRU ROOF DETAIL
SCALE: NOT TO SCALE

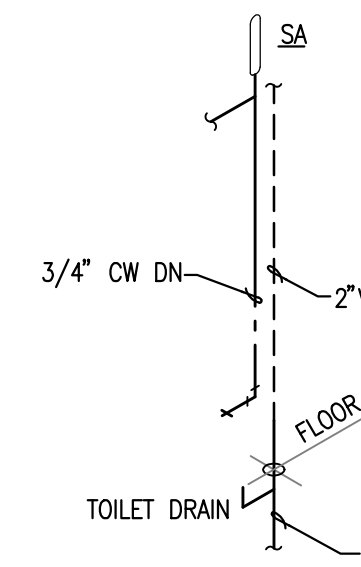


DO NOT HANG PIPE LARGER THAN 3" FROM BOTTOM OF JOISTS.

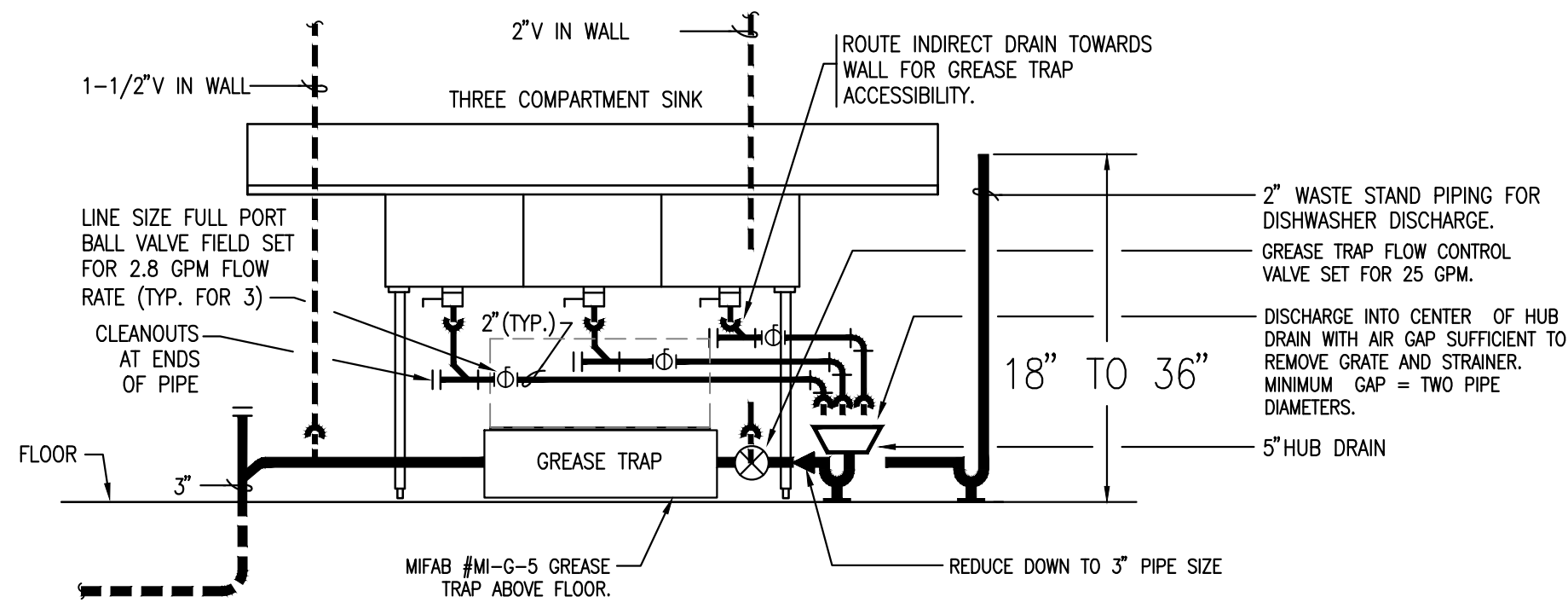
PROVIDE GALVANIZED STEEL SADDLE FOR ALL INSULATED PIPE LARGER THAN 3/4". VERIFY INSULATION THICKNESS WHEN SIZING HANGERS.

PROVIDE UPPER ATTACHMENT AS REQUIRED FOR CASES NOT SHOWN HERE. DO NOT INSTALL HANGER INSIDE INSULATION OR OTHERWISE PENETRATE VAPOR BARRIER. DO NOT HANG ONE PIPE FROM ANOTHER EXCEPT IN CHASES. TRAPEZE HANGERS MAY BE USED FOR MULTIPLE PARALLEL PIPES. HANGER SPACING FOR PIPE SIZE: COPPER: 4"=12' 3"=11' 2-1/2"=10' 2"=9' 1-1/2"=8' 1-1/4"=7' 1"=6' 3/4"=6' 1/2"=5' CAST IRON: 10' 1-1/2"=9' 1"=7' 3/4"=6' 1/2"=5'. LOCATE HANGERS AS CLOSE AS POSSIBLE TO TURNS AND TEES OF PIPE. PROVIDE SUPPLEMENTARY STEEL STRUTS BETWEEN JOISTS IF REQUIRED. LOCATE HANGERS TO TAKE LOAD OFF OF EQUIPMENT CONNECTIONS. ANCHOR WATER PIPE AGAINST SWAYING DUE TO CHANGES IN WATER VELOCITY. PROVIDE SEISMIC BRACING IF AS REQUIRED BY LOCAL AUTHORITIES. CHAINS OR PERFORATED STRAP IRON OR STEEL IS NOT ACCEPTABLE. REFER TO CODES FOR FURTHER INFORMATION.

5 PIPE HANGERS
SCALE: NOT TO SCALE



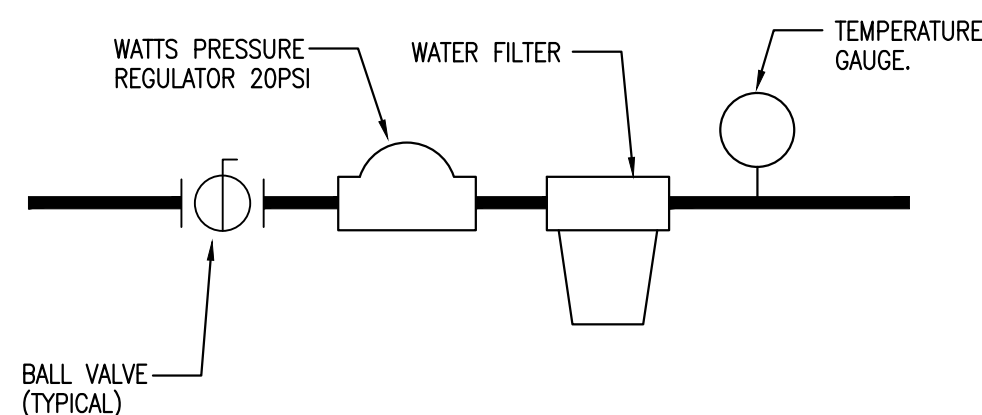
8 RISER - WC FLUSH TANK
SCALE: NOT TO SCALE



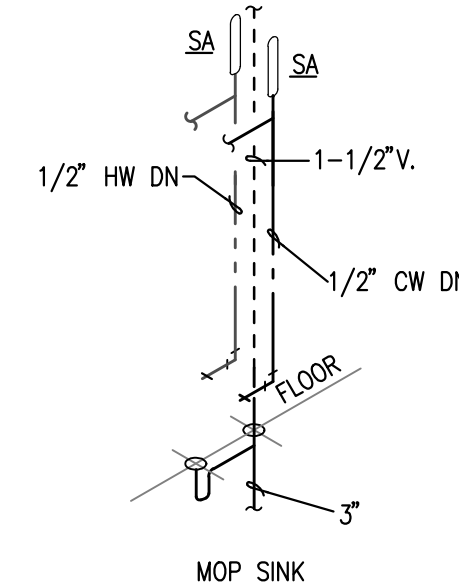
ROUTE COMBINED GREASE WASTE DRAIN LINE TO WALL ROUTE VENT UP, AND GREASE WASTE DOWN AS SHOWN ON PLANS.

ARRANGEMENT SHOWN IS SCHEMATIC. ADJUST TO SUIT FIELD CONDITIONS OR MEET LOCAL CODE REQUIREMENTS. GREASE WASTE PIPING ABOVE GRADE IS TO HAVE NO HUB CONNECTIONS WHERE AS GREASE WASTE PIPING BELOW GRADE IS TO HAVE HUB AND SPIGOT CONNECTIONS PER LANDLORD DESIGN MANUAL.

3 THREE COMPARTMENT SINK DETAIL
SCALE: NOT TO SCALE



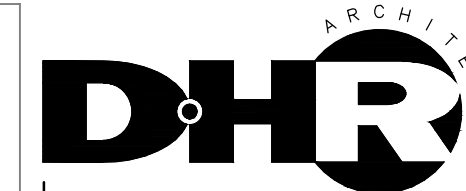
6 DISHWASHER PIPING LAYOUT
SCALE: NOT TO SCALE



9 RISER - MOP SINK
SCALE: NOT TO SCALE



TEXAS REGISTERED ENGINEERING FIRM F-10487
700 N. ST. MARY'S SUITE 1225
SAN ANTONIO, TX 78205
WWW.RGMENGINEERING.NET
PHONE: 210.299.4522
FAX: 210.299.4525



DURAND-HOLLIS RUPE ARCHITECTS, INC.
14603 HUEBNER RD. BUILDING 18
SAN ANTONIO, TEXAS 78230
TEL. 210.308-0080
FAX. 210.697-3309
EMAIL OFFICE@DHRARCHITECTS.COM

SNOPIOCA
6423 BABCOCK, SUITE 104
SAN ANTONIO, TX 78204

PLUMBING DETAILS

THE SEAL APPEARING ON THIS DOCUMENT WAS AUTHORIZED BY
ROGER G. MENDEZ, P.E. 93809
ON 04/01, 2016



THIS DRAWING IS PROVIDED AS AN INSTRUMENT OF SERVICE BY THE ENGINEER AND IS INTENDED FOR USE ON THIS PROJECT ONLY. THE DRAWING REMAINS THE PROPERTY OF THE ENGINEER AND SHALL BE RETURNED TO HIM/HER UPON COMPLETION OF THE CONSTRUCTION WORK. PURSUANT TO THE ENGINEER WORKS COPYRIGHT PROTECTION ACT OF 1990, ALL DRAWINGS, SPECIFICATIONS, IDEAS AND DESIGNS, INCLUDING THE OVERALL FORM, ARRANGEMENT AND COMPOSITION OF SPACES AND ELEMENTS APPEARING HEREIN, CONSTITUTES THE COPYRIGHTED WORK OF THE ENGINEER. ANY REPRODUCTION, USE, OR DISCLOSURE OF INFORMATION CONTAINED HEREIN WITHOUT PRIOR WRITTEN CONSENT OF THE ENGINEER IS STRICTLY PROHIBITED.
© 2015

PROJECT NO. 16-014
ISSUE DATE: 04-01-16
DRAWN BY: RGM
REVIEWED BY: RGM
PROJECT ARCHITECT:
GABRIEL DURAND-HOLLIS, FAIA
TEXAS LICENSE NO. 10881

P301