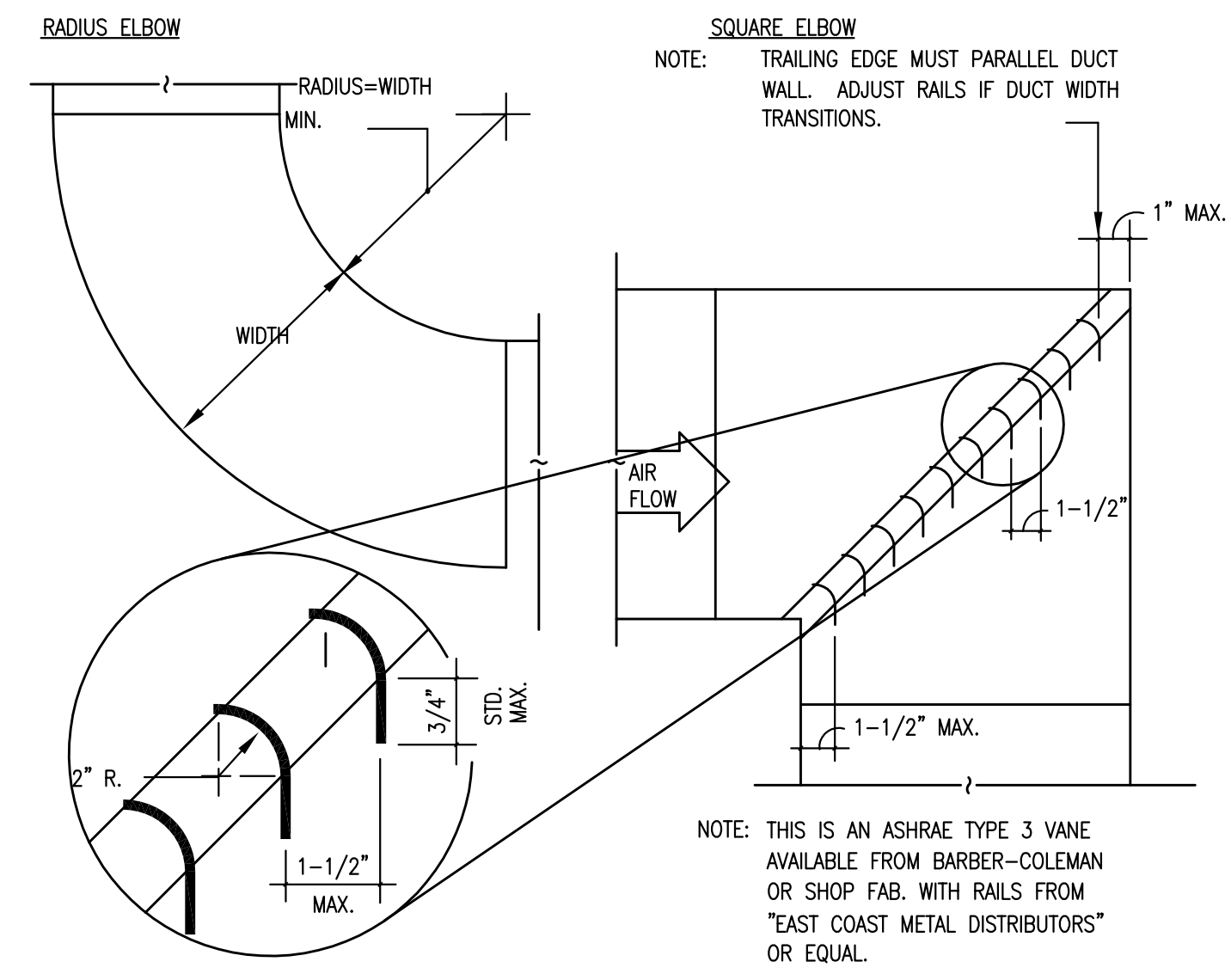
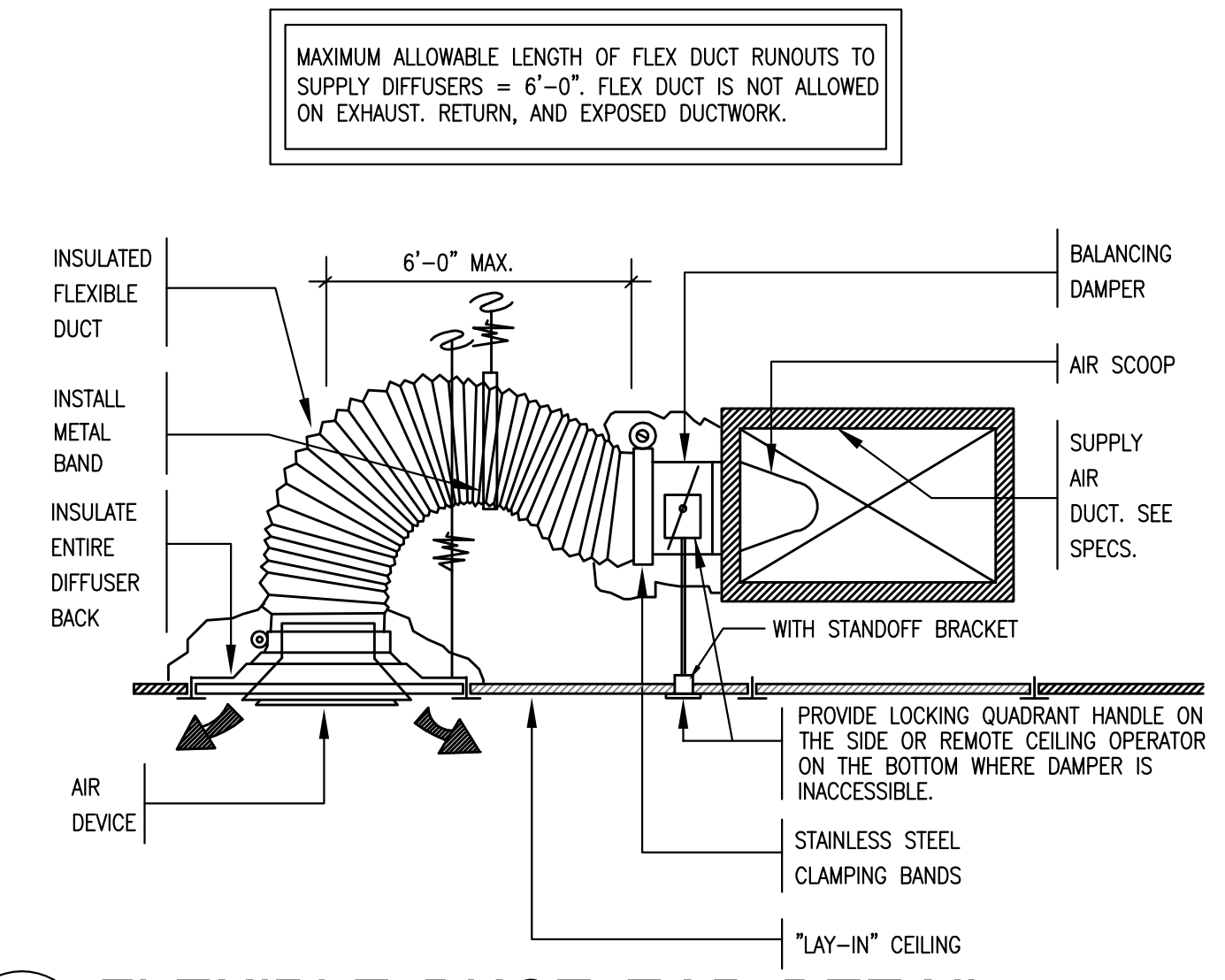


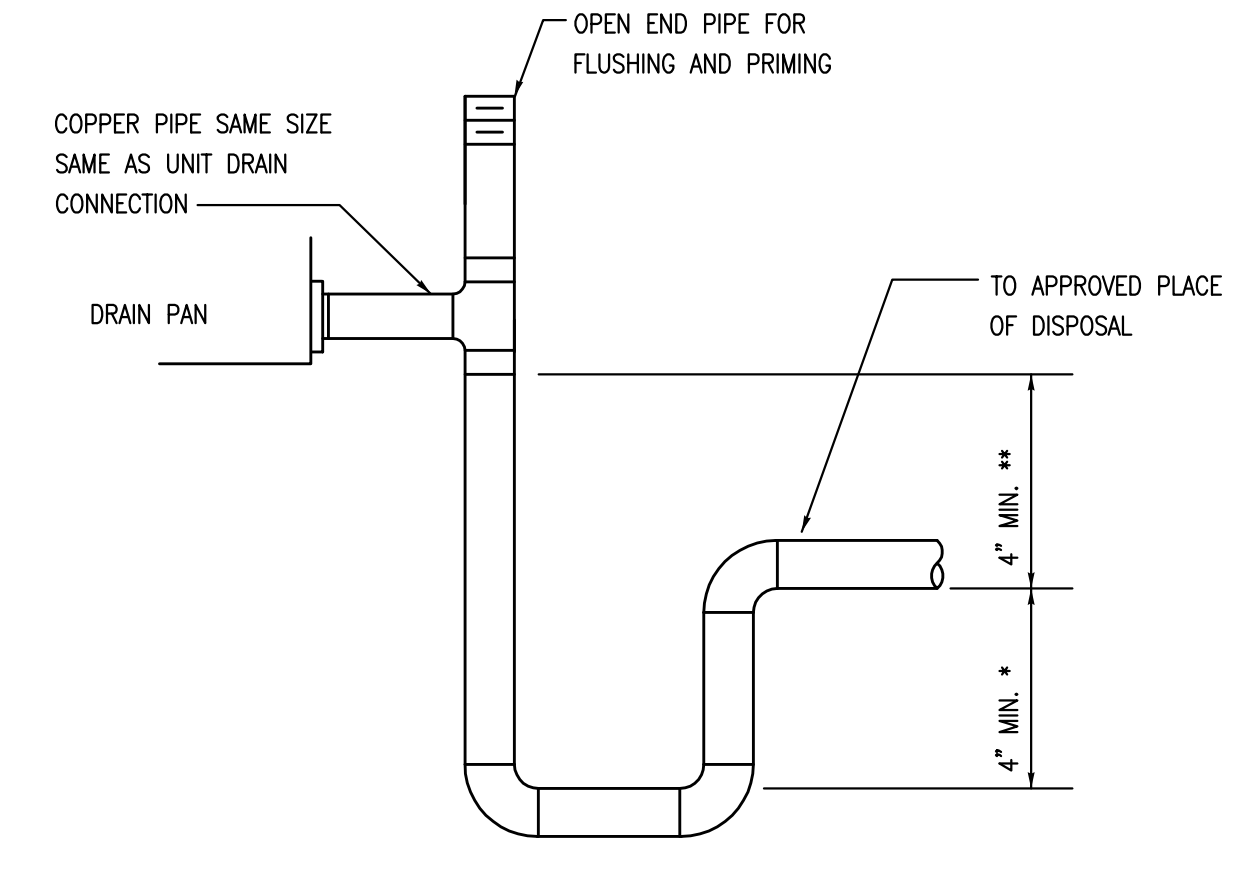
CAD	JH/FRM/JHG
P	HN
E	MG
M	TP
PM	RCM



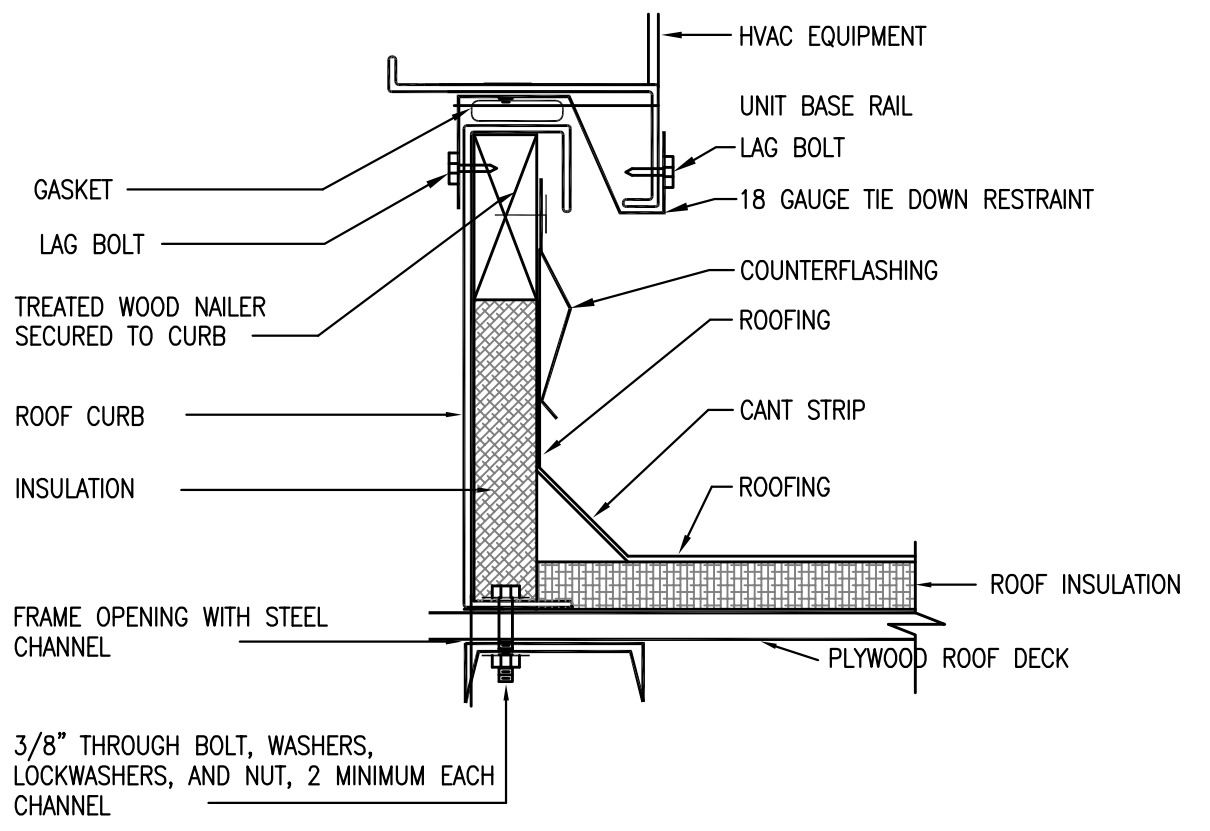
1 TYP. DUCT ELBOW
NOT TO SCALE



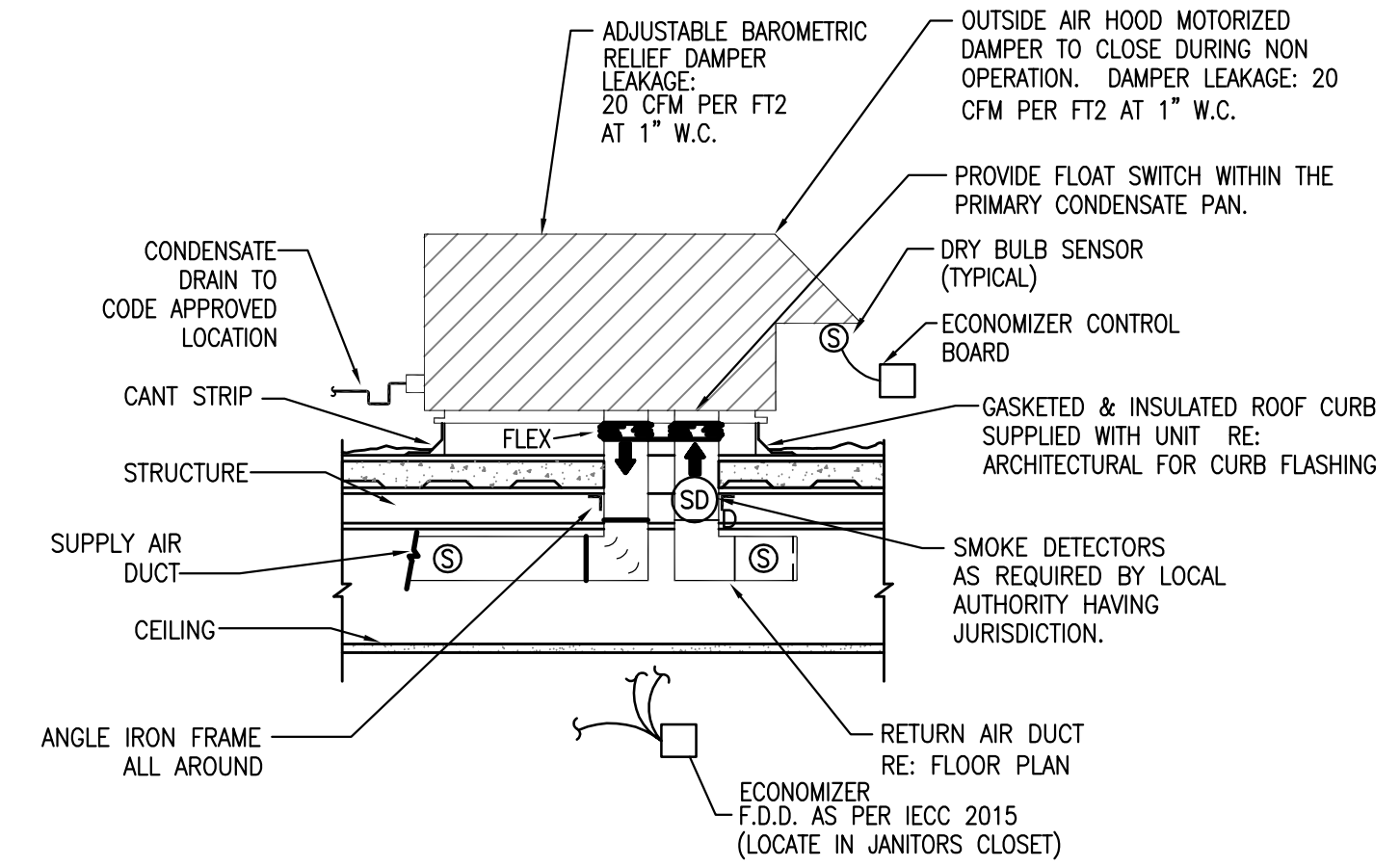
2 FLEXIBLE DUCT TAP DETAIL
NOT TO SCALE



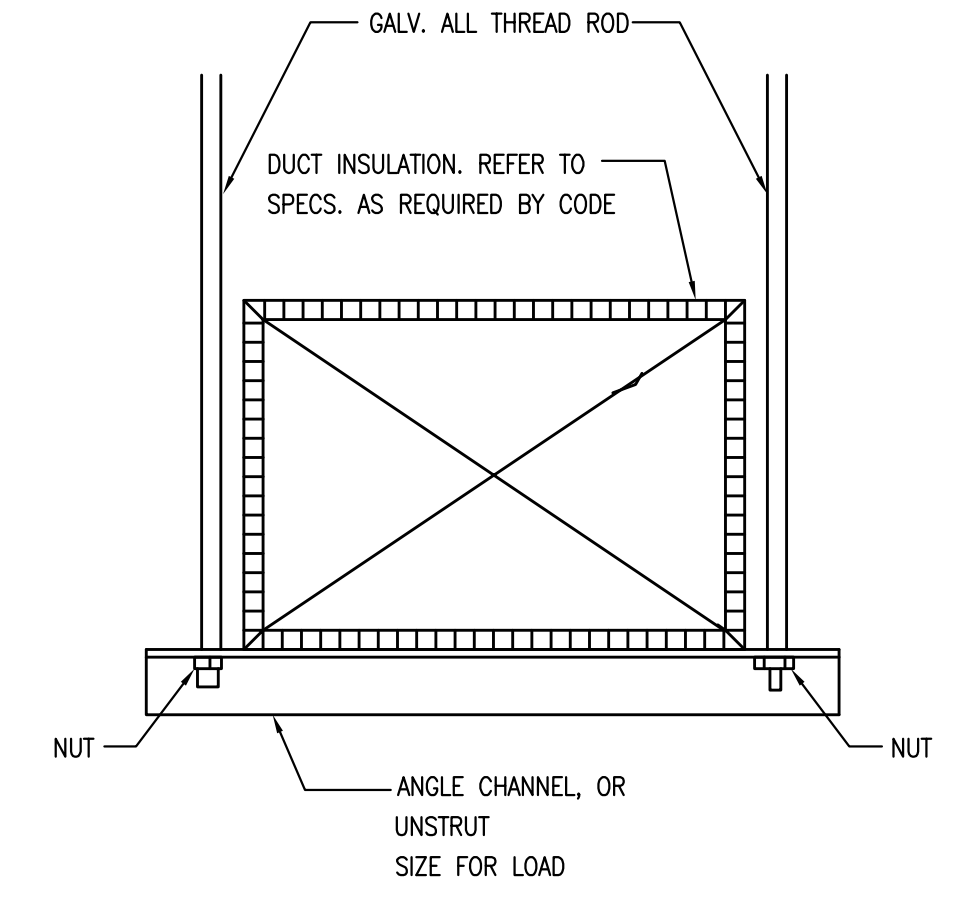
3 CONDENSATE DRAIN TRAP DETAIL
NOT TO SCALE



4 ROOFTOP EQUIP. CURB DETAIL
NOT TO SCALE



5 ROOFTOP UNIT MOUNTING DETAIL
NOT TO SCALE



6 TRAPEZE DUCT HANGER DETAIL
NOT TO SCALE

TEXAS REGISTERED
ENGINEERING FIRM F-10487
700 N. ST. MARY'S
SUITE 1225
SAN ANTONIO, TX 78205
WWW.RGMENGINEERING.NET
PHONE: 210.299.4522
FAX: 210.299.4525

DURAND-HOLLIS RUPE
ARCHITECTS, INC.
14603 HUEBNER RD.
BUILDING 18
SAN ANTONIO,
TEXAS 78230
TEL: 210 308-0080
FAX: 210 697-3309
EMAIL: OFFICE@DHRARCHITECTS.COM

SNOPIOCA
6423 BABCOCK, SUITE 104
SAN ANTONIO, TX 78204

MECHANICAL DETAILS

THE SEAL APPEARING ON THIS DOCUMENT WAS AUTHORIZED BY
ROGER G. MENDEZ, P.E. 93809
ON 04/01, 2016



THIS DRAWING IS PROVIDED AS AN INSTRUMENT OF SERVICE BY THE ENGINEER AND IS INTENDED FOR USE ON THIS PROJECT ONLY. THE DRAWING REMAINS THE PROPERTY OF THE ENGINEER AND SHALL BE RETURNED TO HIM/HER UPON COMPLETION OF THE CONSTRUCTION WORK. PURSUANT TO THE ENGINEER WORKS COPYRIGHT PROTECTION ACT OF 1990, ALL DRAWINGS, SPECIFICATIONS, IDEAS AND DESIGNS, INCLUDING THE OVERALL FORM, ARRANGEMENT AND COMPOSITION OF SPACES AND ELEMENTS APPEARING HEREON, CONSTITUTE THE COPYRIGHTED WORK OF THE ENGINEER. ANY REPRODUCTION, USE, OR DISCLOSURE OF INFORMATION CONTAINED HEREIN WITHOUT PRIOR WRITTEN CONSENT OF THE ENGINEER IS STRICTLY PROHIBITED.
© 2015

PROJECT NO. 16-014
ISSUE DATE: 04-01-16
DRAWN BY: RGM
REVIEWED BY: RGM
PROJECT ARCHITECT:
GABRIEL DURAND-HOLLIS, FAIA
TEXAS LICENSE NO. 10881

M301