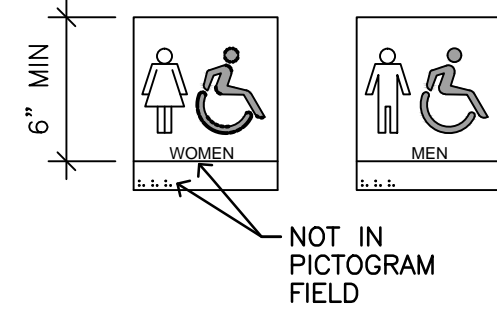


703 PICTOGRAM FIELD

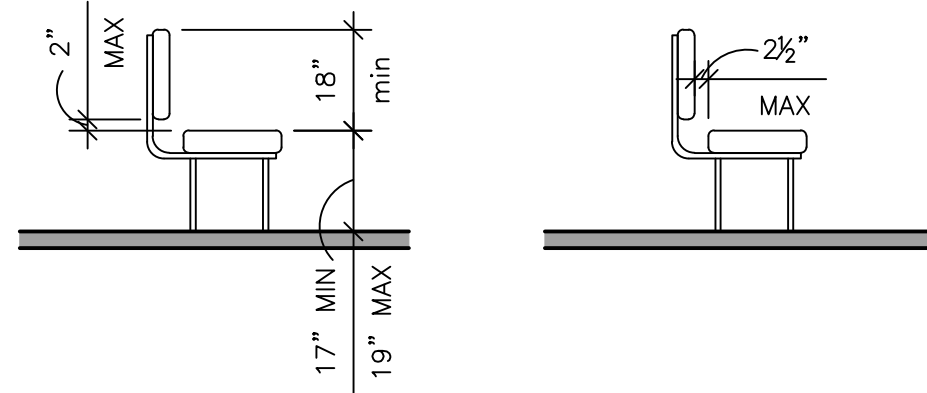
703.6.1 - PICTOGRAM SHALL HAVE A FIELD HEIGHT OF 6 INCHES MINIMUM. CHARACTERS AND BRAILLE SHALL NOT BE LOCATED IN THE PICTOGRAM FIELD.



9 BUILT IN ELEMENTS

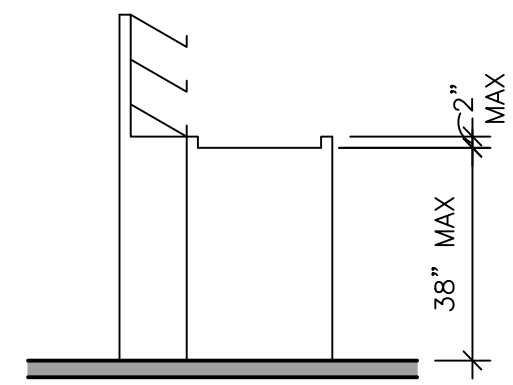
903 BENCHES

903.3 - BENCHES SHALL HAVE SEATS THAT ARE 42 INCHES LONG MINIMUM AND 20 INCHES DEEP MINIMUM AND 24 INCHES DEEP MAXIMUM.



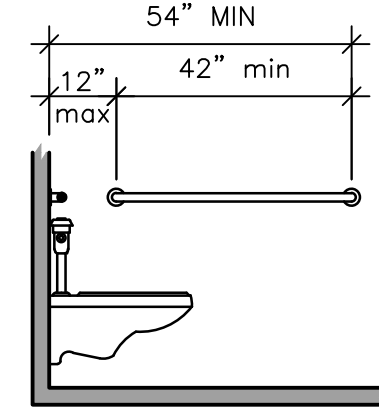
904 CHECK OUT AISLES AND SALES AND SERVICE COUNTERS

904.3.2 - THE COUNTER SURFACE HEIGHT SHALL BE 38 INCHES MAXIMUM ABOVE THE FINISH FLOOR OR GROUND. THE TOP OF THE COUNTER EDGE PROTECTION SHALL BE 2 INCHES MAXIMUM ABOVE THE TOP OF THE COUNTER SURFACE ON THE AISLE SIDE OF THE CHECK-OUT COUNTER.



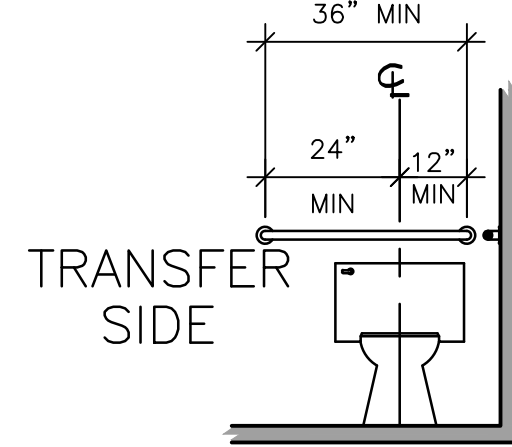
604 GRAB BARS

604.5.1 THE SIDE WALL GRAB BAR SHALL BE 42 INCHES LONG MINIMUM, LOCATED 12 INCHES MAXIMUM FROM THE REAR WALL AND EXTENDING 54 INCHES MINIMUM FROM THE REAR WALL.



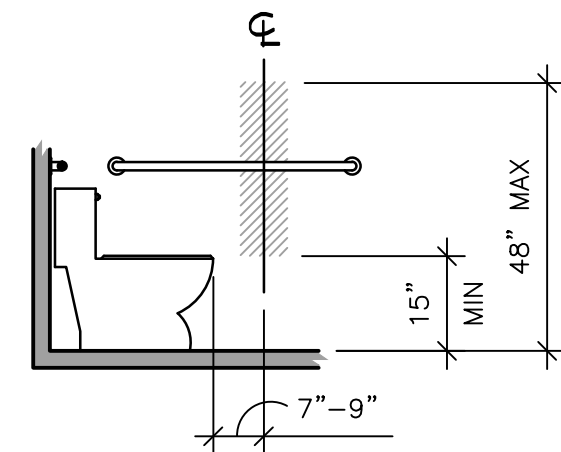
604 GRAB BARS

604.5.2 - THE REAR WALL GRAB BAR SHALL BE 36 INCHES LONG MINIMUM AND EXTEND FROM THE CENTERLINE OF THE WATER CLOSET 12 INCHES MINIMUM ON ONE SIDE AND 24 INCHES MINIMUM ON THE OTHER SIDE.



604 DISPENSERS

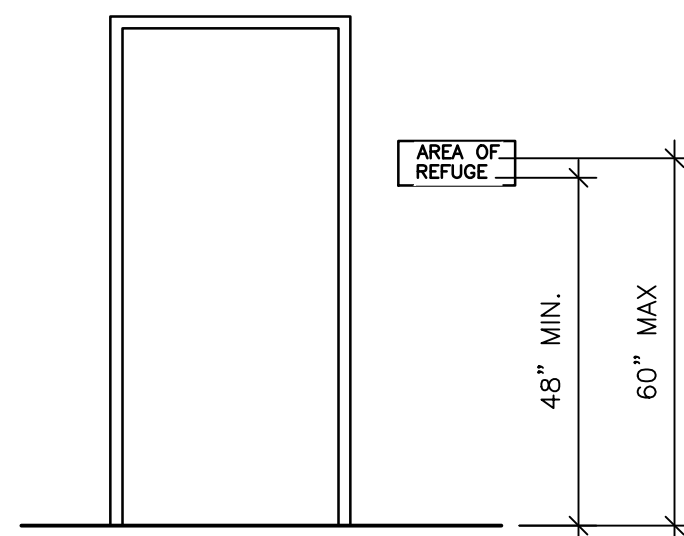
604.7 - TOILET PAPER DISPENSERS SHALL BE 7 INCHES MINIMUM AND 9 INCHES MAXIMUM IN FRONT OF WATER CLOSET MEASURED TO THE CENTER LINE OF THE DISPENSER. THE OUTLET OF THE DISPENSER SHALL BE 15 INCHES MINIMUM AND 48 INCHES MAXIMUM ABOVE FINISH FLOOR AND SHALL NOT BE LOCATED BEHIND GRAB BARS. DISPENSERS SHALL NOT BE OF A TYPE THAT CONTROLS DELIVERY OF THAT DOES NOT ALLOW CONTINUOUS PAPER FLOW.



7 COMMUNICATION ELEMENTS AND FEATURES

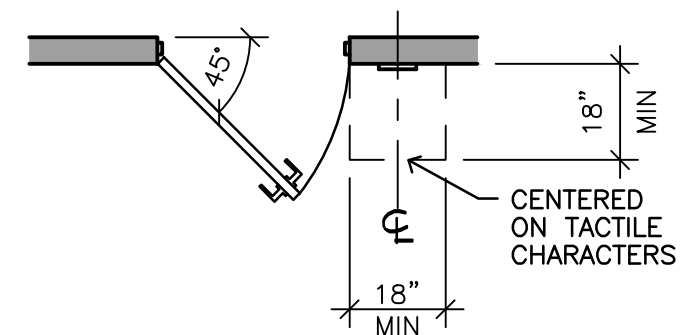
703 LOCATION OF TACTILE SIGNS AT DOORS

703.4.1 - TACTILE CHARACTERS ON SIGNS SHALL BE LOCATED 48 INCHES MINIMUM ABOVE FINISH FLOOR OR GROUND SURFACE, MEASURED FROM THE BASELINE OF THE LOWEST TACTILE CHARACTER AND 60 INCHES MAXIMUM ABOVE FINISH FLOOR OR GROUND SURFACE, MEASURED FROM THE BASELINE OF THE HIGHEST TACTILE CHARACTER.



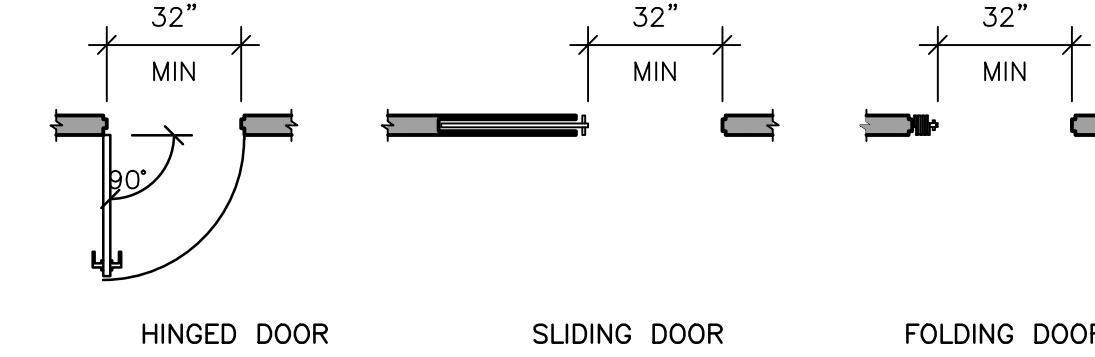
703 LOCATION OF TACTILE SIGNS AT DOORS

703.4.2 - WHERE THE TACTILE SIGN IS PROVIDED AT A DOOR, THE SIGN SHALL BE LOCATED ALONGSIDE THE DOOR AT THE LATCH SIDE, WHERE A TACTILE SIGN IS PROVIDED AT DOUBLE DOORS WITH ONE ACTIVE LEAF, THE SIGN SHALL BE LOCATED ON THE INACTIVE LEAF, WHERE A TACTILE SIGN IS PROVIDED AT DOUBLE DOORS WITH TWO ACTIVE LEAFS, THE SIGN SHALL BE LOCATED TO THE RIGHT OF THE RIGHT HAND DOOR, WHERE THERE IS NO WALL SPACE AT THE LATCH SIDE OF A SINGLE DOOR OR AT THE RIGHT SIDE OF DOUBLE DOORS, SIGNS SHALL BE LOCATED ON THE NEAREST ADJACENT WALL. SIGNS CONTAINING TACTILE CHARACTERS SHALL BE LOCATED SO THAT A CLEAR FLOOR SPACE OF 18 INCHES MINIMUM BY 18 INCHES MINIMUM, CENTERED ON THE TACTILE CHARACTERS, IS PROVIDED BEYOND THE ARC OF ANY DOOR SWING BETWEEN THE CLOSED POSITION AND 45 DEGREE OPEN POSITION.



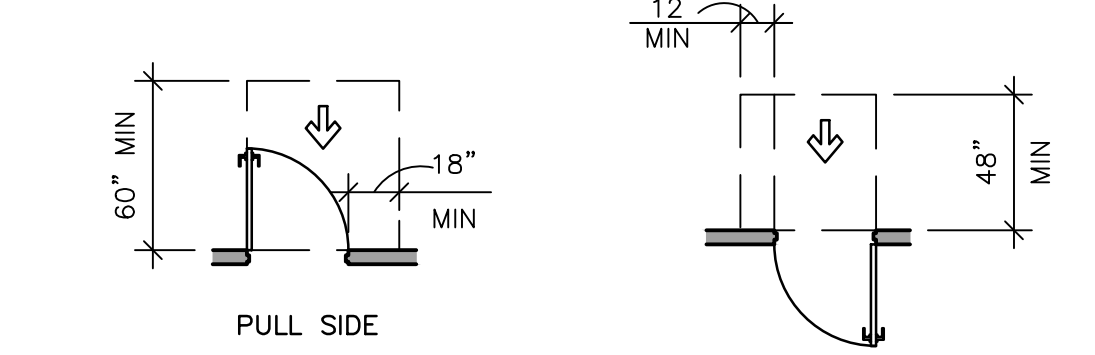
404 DOOR, DOORWAYS, AND GATES

404.2.3 - DOOR OPENINGS SHALL PROVIDE A CLEAR WIDTH OF 32 INCHES MINIMUM. CLEAR OPENINGS OF DOORWAYS WITH SWINGING DOORS SHALL BE MEASURED BETWEEN THE FACE OF THE DOOR AND THE STOP, WITH THE DOOR OPEN 90 DEGREES. OPENINGS MORE THAN 24 INCHES DEEP SHALL PROVIDE A CLEAR OPENING OF 36 INCHES MINIMUM. THERE SHALL BE NO PROJECTIONS INTO THE REQUIRED CLEAR OPENING WIDTH LOWER THAN 34 INCHES ABOVE THE FINISH FLOOR OR GROUND. PROJECTIONS INTO THE CLEAR OPENING WIDTH BETWEEN 34 INCHES AND 80 INCHES ABOVE THE FINISH FLOOR OR GROUND SHALL NOT EXCEED 4 INCHES.



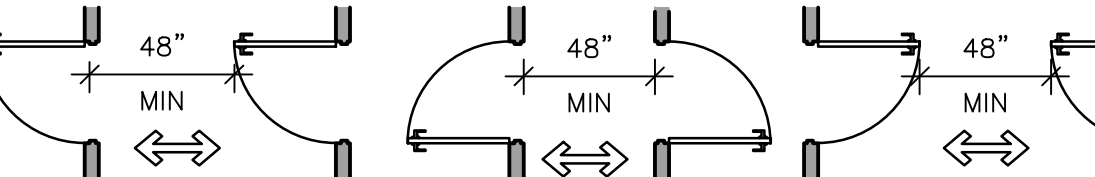
404 MANEUVERING CLEARANCES

404.2.4 - MANEUVERING CLEARANCES SHALL EXTEND THE FULL WIDTH OF THE DOORWAY AND THE REQUIRED LATCH SIDE OR HINGE SIDE CLEARANCE.



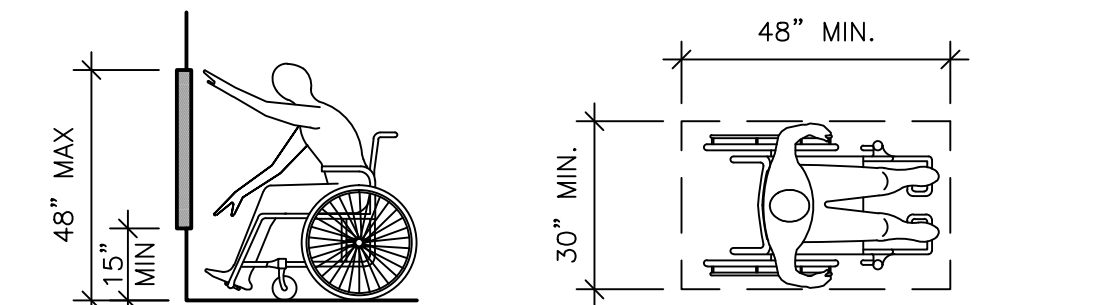
404 DOORS IN SERIES AND GATES IN SERIES

404.2.6 - THE DISTANCE BETWEEN TWO HINGED OR PIVOTED DOORS IN SERIES OR GATES IN SERIES SHALL BE 48" MINIMUM PLUS THE WIDTH OF DOORS OR GATES SWINGING INTO THE SPACE.



407 ELEVATORS

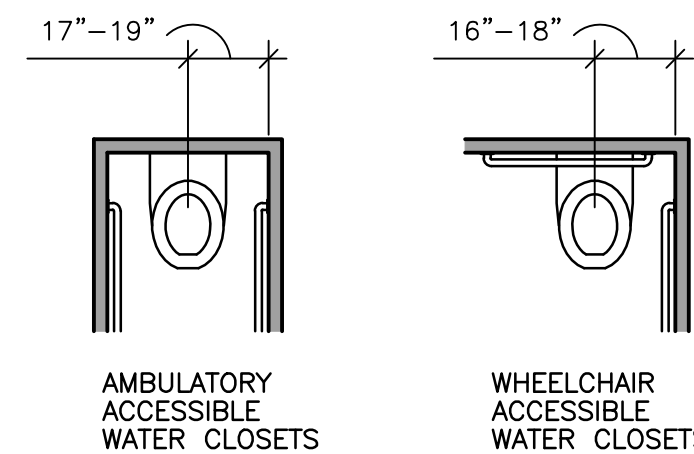
407.2.1 - WHERE ELEVATOR CALL BUTTONS OR KEYPADS ARE PROVIDED, THEY SHALL COMPLY WITH 309.4. CALL BUTTONS SHALL BE RAISED OR FLUSH.
 309.4 - OPERABLE PARTS SHALL BE OPERABLE WITH ONE HAND AND SHALL NOT REQUIRE TIGHT GRASPING, PINCHING, OR TWISTING OF THE WRIST. THE FORCE REQUIRED TO ACTIVATE OPERABLE PARTS SHALL BE 5 POUNDS.
 407.2.1.1 - CALL BUTTONS AND KEYPADS SHALL BE LOCATED WITHIN ONE OF THE REACH RANGES SPECIFIED IN 308, MEASURED TO THE CENTERLINE OF THE HIGHEST OPERABLE PART.
 704.2.1.2 - CALL BUTTONS SHALL BE 3/4" MINIMUM IN THE SMALLEST DIMENSION.
 407.2.1.3 - A CLEAR FLOOR SPACE OR GROUND SPACE COMPLYING WITH 305 SHALL BE PROVIDED AT CALL CONTROLS.



6 PLUMBING ELEMENTS AND FACILITIES

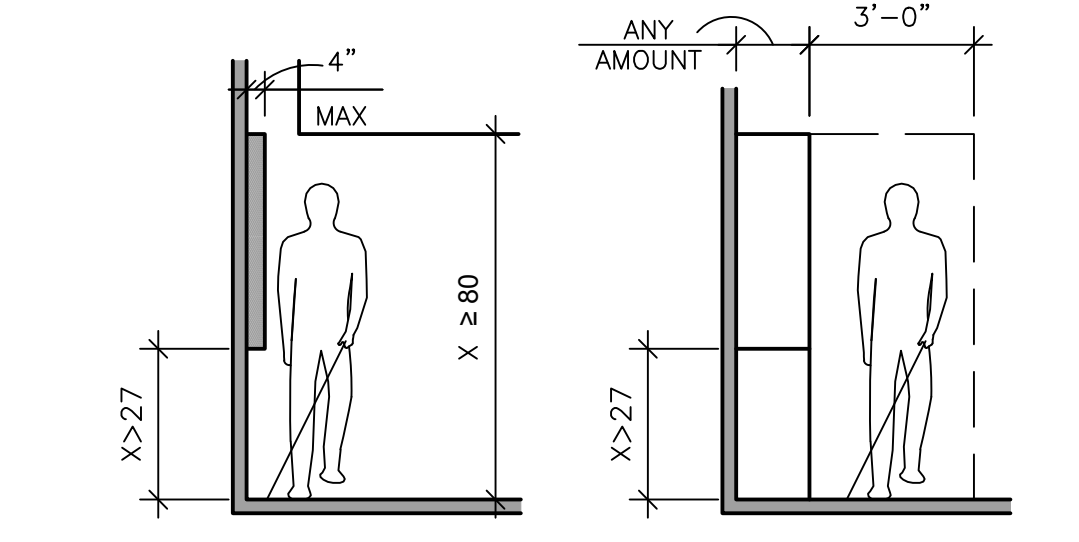
604 WATER CLOSETS AND TOILET COMPARTMENTS

604.2 THE WATER CLOSET SHALL BE POSITIONED WITH A WALL OR PARTITION TO THE REAR AND TO THE ONE SIDE. THE CENTERLINE OF THE WATER CLOSET SHALL BE 16 INCHES MINIMUM TO 18 INCHES MAXIMUM FROM THE SIDE WALL OR PARTITION, EXCEPT THAT THE WATER CLOSET SHALL BE 17 INCHES MINIMUM TO 19 INCHES MAXIMUM FROM THE SIDE WALL OR PARTITION IN THE AMBULATORY ACCESSIBLE TOILET COMPARTMENT. WATER CLOSETS SHALL BE ARRANGED FOR A LEFT-HAND OR RIGHT-HAND APPROACH.



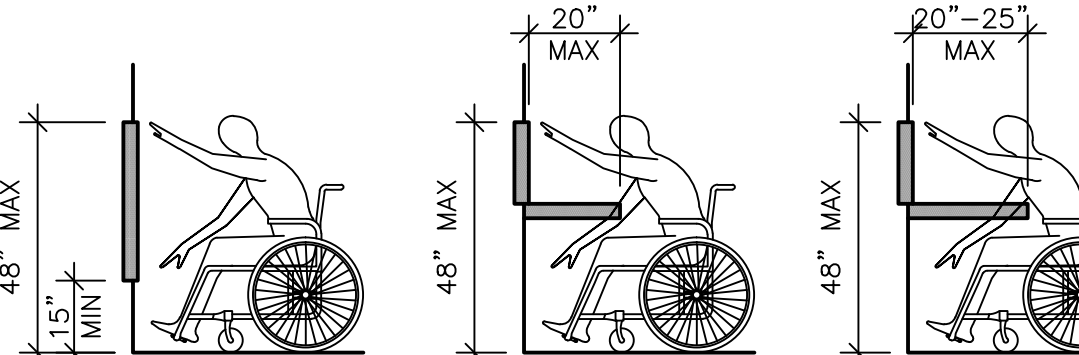
307 PROTRUDING OBJECTS

307.2 - OBJECTS WITH LEADING EDGES MORE THAN 27 INCHES AND NOT MORE THAN 80 INCHES ABOVE FINISH FLOOR AND GROUND SHALL PROTRUDE 4 INCHES MAXIMUM HORIZONTALLY INTO CIRCULATION PATH.



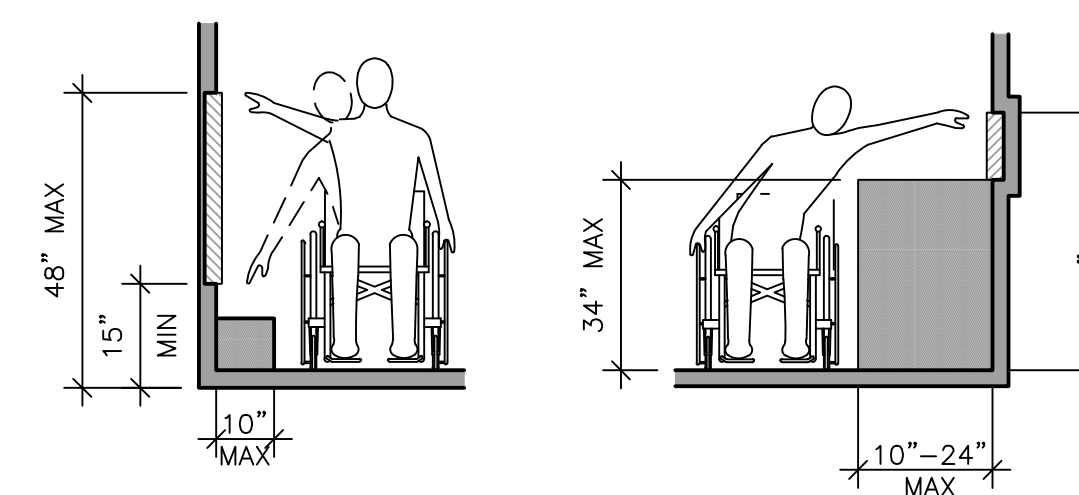
308 REACH RANGES

308.2.1 - WHERE A FORWARD REACH IS UNOBSTRUCTED, THE HIGH FORWARD REACH SHALL BE 48 INCHES MAXIMUM AND THE LOW FORWARD REACH SHALL BE 15 INCHES MINIMUM ABOVE THE FINISH FLOOR OR GROUND.



308 REACH RANGES

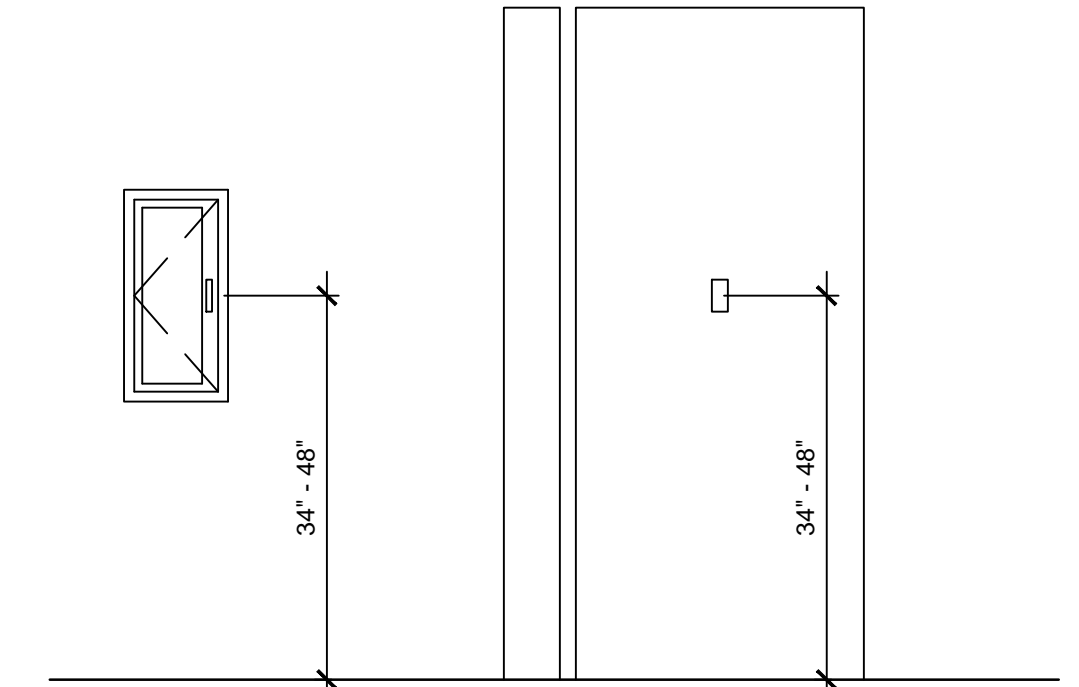
308.3.1 - WHERE A CLEAR FLOOR OR GROUND SPACE ALLOWS A PARALLEL APPROACH TO AN ELEMENT AND THE SIDE REACH IS UNOBSTRUCTED, THE HIGH SIDE SHALL BE 48 INCHES MAXIMUM AND THE LOW SIDE REACH SHALL BE 15 INCHES MINIMUM ABOVE THE FINISH FLOOR OR GROUND.



4 ACCESSIBLE ROUTES

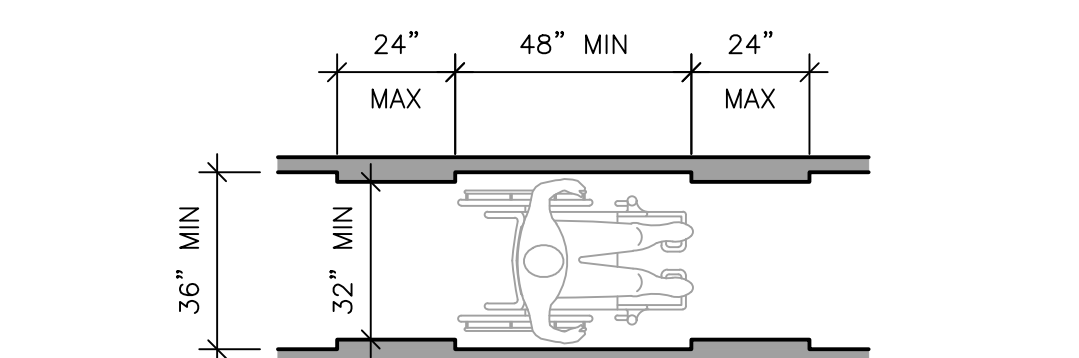
403 CLEAR WIDTH AND TURN

402.2.7 - HANDLES, PULLS, LATCHES, LOCKS, AND OTHER OPERABLE PARTS ON DOORS AND GATES SHALL COMPLY WITH 309.4. OPERABLE PARTS SUCH AS HARDWARE SHALL BE 34 INCHES MINIMUM AND 48 INCHES MAXIMUM ABOVE THE FINISH FLOOR OR GROUND, WHERE SLIDING DOORS ARE IN FULLY OPEN POSITION, OPERATING HARDWARE SHALL BE EXPOSED AND USABLE FROM BOTH SIDES.



403 WALKING SURFACES

403.5.1 - THE CLEAR WIDTH SHALL BE PERMITTED TO BE REDUCED TO 32 INCHES MINIMUM FOR A LENGTH OF 24 INCHES MAXIMUM PROVIDED THAT REDUCED WIDTH ARE SEPARATED BY SEGMENTS THAT ARE 48 INCHES LONG MINIMUM AND 36 INCHES WIDE MINIMUM.



3 BUILDING BLOCKS

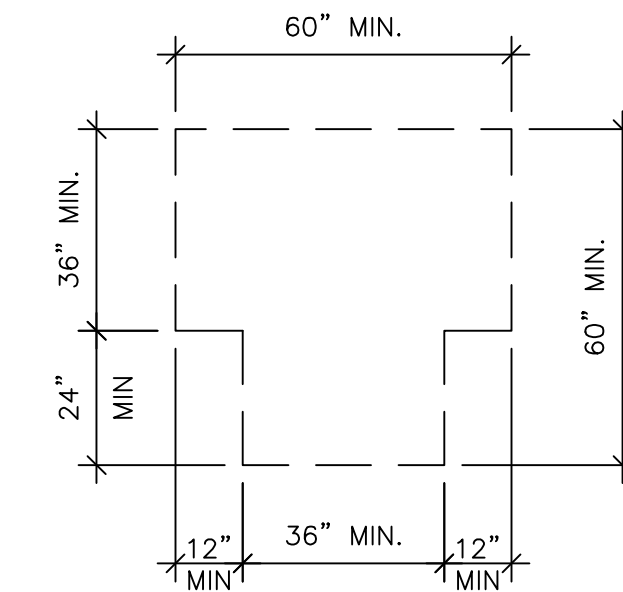
302 FLOOR OR GROUND SURFACES

303.2 - CHANGES IN LEVEL OF 1/4" HIGH MAXIMUM SHALL BE PERMITTED TO BE VERTICAL.



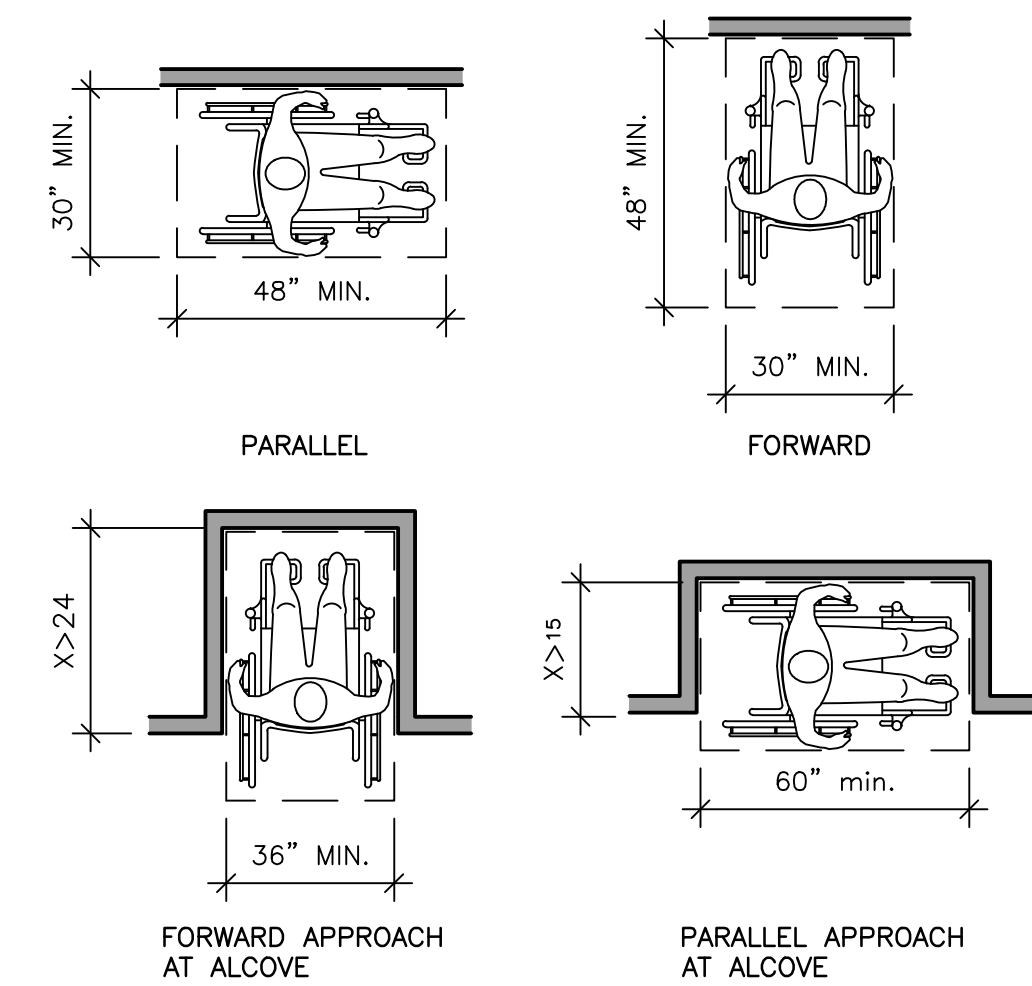
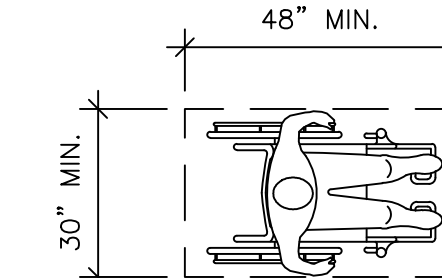
304 TURNING SPACE

304.3.2 - THE TURNING SPACE SHALL BE A T-SHAPED SPACE WITHIN A 60 INCHES SQUARE MINIMUM WITH ARMS AND BASE 36 INCHES WIDE MINIMUM. EACH ARM OF THE T SHALL BE CLEAR OF OBSTRUCTION 12 INCHES MINIMUM IN EACH DIRECTION AND THE BASE SHALL BE CLEAR OF OBSTRUCTION 24 INCHES MINIMUM. THE SPACE SHALL BE PERMITTED TO INCLUDE KNEE AND TOE CLEARANCE COMPLYING WITH 306 ONLY AT THE END OF EITHER THE BASE OF THE ARM.



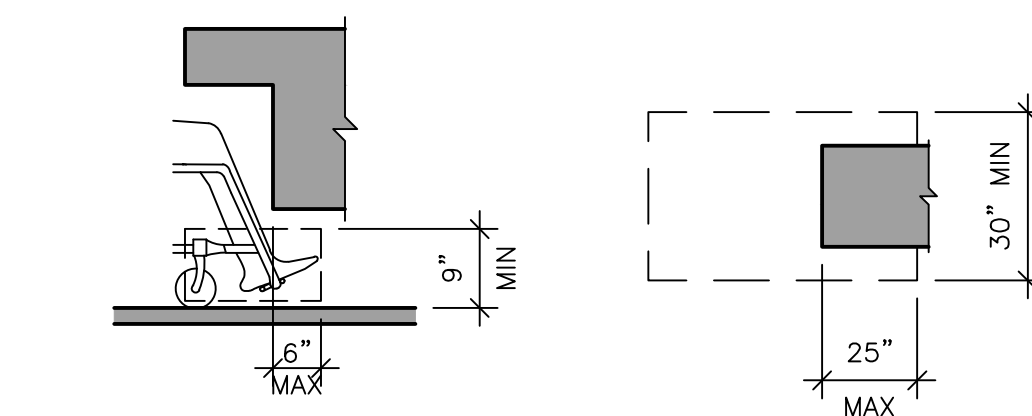
305 CLEAR FLOOR OR GROUND SPACE

305.3 - THE CLEAR FLOOR OR GROUND SPACE SHALL BE 30 INCHES MINIMUM BY 48 INCHES MINIMUM.



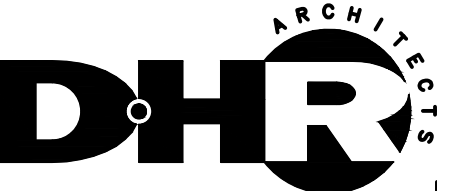
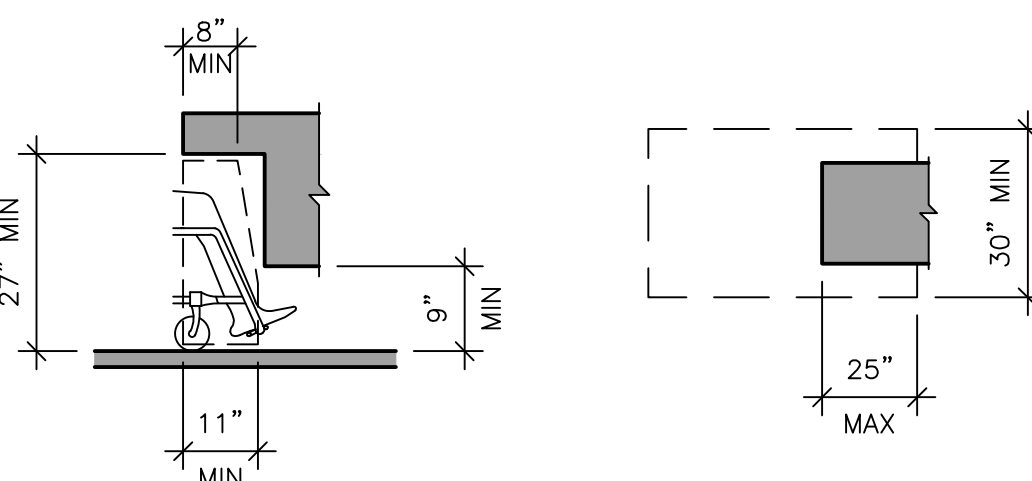
306 KNEE AND TOE CLEARANCE

306.2.1 - SPACE UNDER AN ELEMENT BETWEEN THE FINISH FLOOR OR GROUND AND 9 INCHES ABOVE THE FINISH FLOOR OR GROUND SHALL BE CONSIDERED TOE CLEARANCE.



306 KNEE AND TOE CLEARANCE

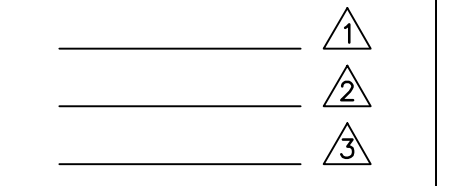
306.3.1 - SPACE UNDER AN ELEMENT BETWEEN 9 INCHES AND 27 INCHES ABOVE THE FINISH FLOOR OR GROUND SHALL BE CONSIDERED KNEE CLEARANCE.



DURAND-HOLLIS RUPE ARCHITECTS, INC.

14603 HUEBNER RD. BUILDING 18 SAN ANTONIO, TEXAS 78230

TEL. 210 308-0080 FAX. 210 697-3309 EMAIL OFFICE@DHRARCHITECTS.COM



SNOIOCA
 6423 BABCOCK, SUITE 104
 SAN ANTONIO, TX 78204

ACCESSIBILITY REQUIREMENTS



THIS DRAWING IS PROVIDED AS AN INSTRUMENT OF SERVICE BY THE ARCHITECT AND IS INTENDED FOR USE ON THIS PROJECT ONLY. THE DRAWING REMAINS THE PROPERTY OF THE ARCHITECT AND SHALL BE RETURNED TO HIM/HER UPON COMPLETION OF THE CONSTRUCTION WORK. PURSUANT TO THE ARCHITECTURAL WORKS COPYRIGHT PROTECTION ACT OF 1990, ALL DRAWINGS, SPECIFICATIONS, IDEAS AND DESIGNS, INCLUDING THE OVERALL FORM, ARRANGEMENT AND COMPOSITION OF SPACES AND ELEMENTS APPEARING HEREIN, CONSTITUTE THE COPYRIGHTED WORK OF THE ARCHITECT. ANY REPRODUCTION, USE, OR DISCLOSURE OF INFORMATION CONTAINED HEREIN WITHOUT PRIOR WRITTEN CONSENT OF THE ARCHITECT IS STRICTLY PROHIBITED.
 © 2016

PROJECT NO. 16-014
 ISSUE DATE: 04-01-16
 DRAWN BY: RG/AT
 REVIEWED BY: GDH
 PROJECT ARCHITECT: GABRIEL DURAND-HOLLIS, F.A.I.A. TEXAS LICENSE NO. 10881

ACC01