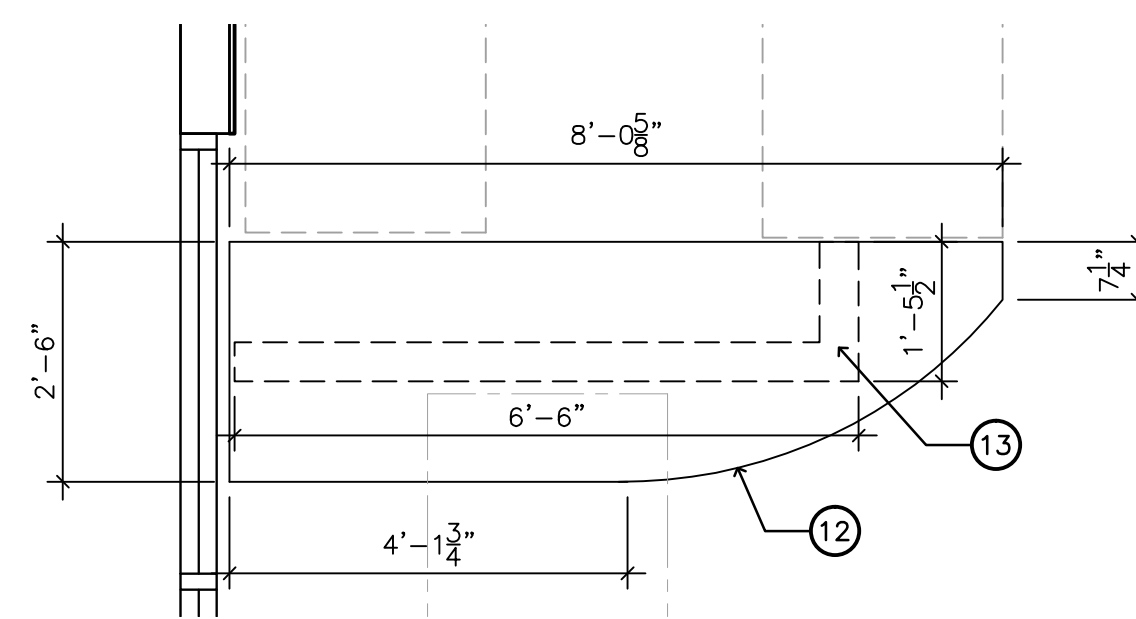


1 WALL TYPES
SCALE: 1" = 1'-0"



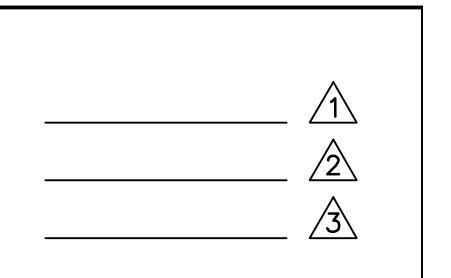
2 COUNTERTOP PLAN
SCALE: 1/2" = 1'-0"

KEYED NOTES:

1. 6" METAL STUDS @ 16" O.C.
2. BATT INSULATION
3. BASE AS SCHEDULE
4. 1/2" MOISTURE RESISTANT SHEATHING
5. CEILING AS SCHEDULE
6. 5/8" GYP BOARD, PAINTED
7. 5/8" GYP BOARD CEILING, PAINTED
8. 3/8" METAL STUDS @ 16" O.C.
9. COUNTER TOP, REF. FINISH SCHEDULE
10. 1X4 WOOD TRIM, PAINTED
11. WHITE FRP
12. COUNTERTOP, REF. FINISH SCHEDULE
13. WALL BELOW, REF. WALL TYPE U

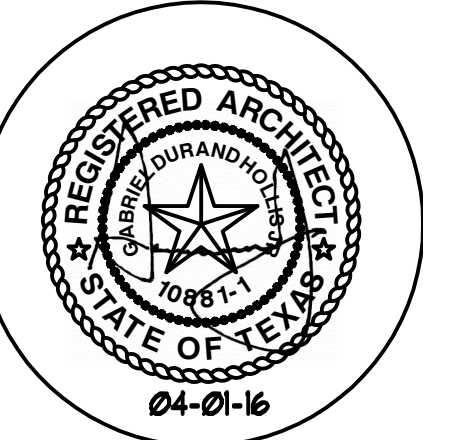


DURAND-HOLLIS RUPE ARCHITECTS, INC.
14603 HUEBNER RD.
BUILDING 18
SAN ANTONIO,
TEXAS 78230
TEL. 210 308-0080
FAX. 210 697-3309
EMAIL OFFICE@DHRARCHITECTS.COM



SNOPIOCA
6423 BABCOCK, SUITE 104
SAN ANTONIO, TX 78204

WALL TYPES



THIS DRAWING IS PROVIDED AS AN INSTRUMENT OF SERVICE BY THE ARCHITECT AND IS INTENDED FOR USE ON THIS PROJECT ONLY. THE DRAWING REMAINS THE PROPERTY OF THE ARCHITECT AND SHALL BE RETURNED TO HIM/HER UPON COMPLETION OF THE CONSTRUCTION WORK. PURSUANT TO THE ARCHITECTURAL WORKS COPYRIGHT PROTECTION ACT OF 1990, ALL DRAWINGS, SPECIFICATIONS, IDEAS AND DESIGNS, INCLUDING THE OVERALL FORM, ARRANGEMENT AND COMPOSITION OF SPACES AND ELEMENTS APPEARING HEREIN, CONSTITUTE THE COPYRIGHTED WORK OF THE ARCHITECT. ANY REPRODUCTION, USE, OR DISCLOSURE OF INFORMATION CONTAINED HEREIN WITHOUT PRIOR WRITTEN CONSENT OF THE ARCHITECT IS STRICTLY PROHIBITED.
© 2016

GEN. NOTES:

1. PROVIDE BLOCKING AS REQUIRED
2. AT WET WALL USE 1/2" MOISTURE RESISTANT SHEATHING
3. FOR WALL TYPE LOCATIONS, REF. SHEET A100

PROJECT NO. 16-014
ISSUE DATE: 04-01-16
DRAWN BY: RG/AT
REVIEWED BY: GDH
PROJECT ARCHITECT:
GABRIEL DURAND-HOLLIS, FAIA
TEXAS LICENSE NO. 10881

A200