



112 NW 24th Street  
Suite 116  
Fort Worth, TX. 76164  
phone. 682.365.2742  
www.jrkdesign.us

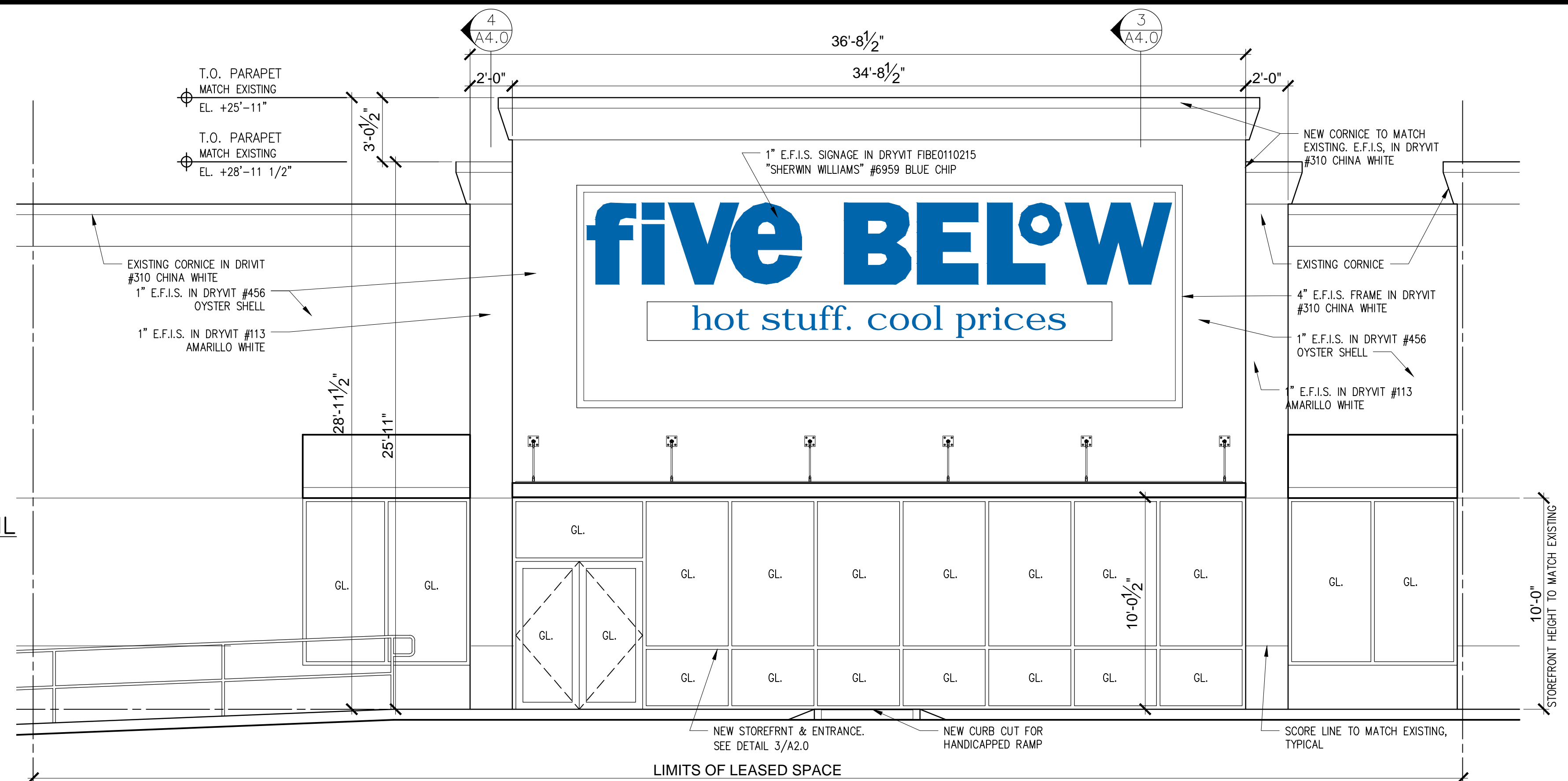
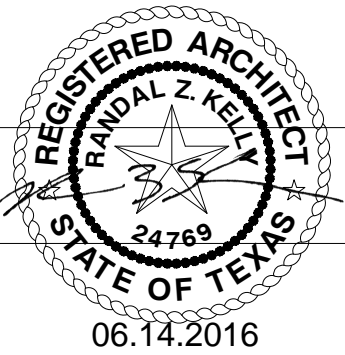
Architect of Record:  
Randy Kelly  
randy.kelly@jrkdesign.us

**FIVE BELOW**

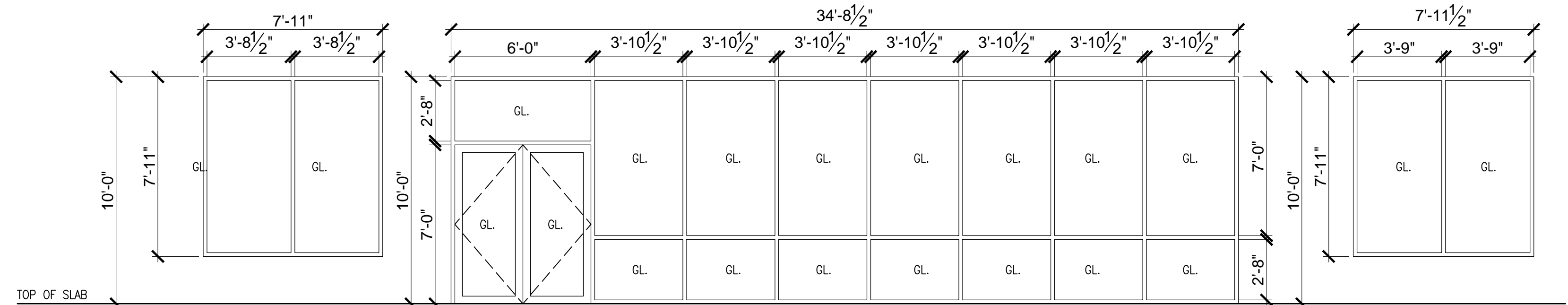
| Revisions |               |
|-----------|---------------|
| 1         | City Comments |
| 2         | Revision      |
| 3         | Revision      |
| 4         | Revision      |
| 5         | Revision      |

**FIVE BELOW**  
ALAMO RANCH MARKETPLACE  
5511 N. W. LOOP 1604 N,  
Suite 105  
San Antonio, Texas 78253  
06.14.2016  
TX-16033  
sheet

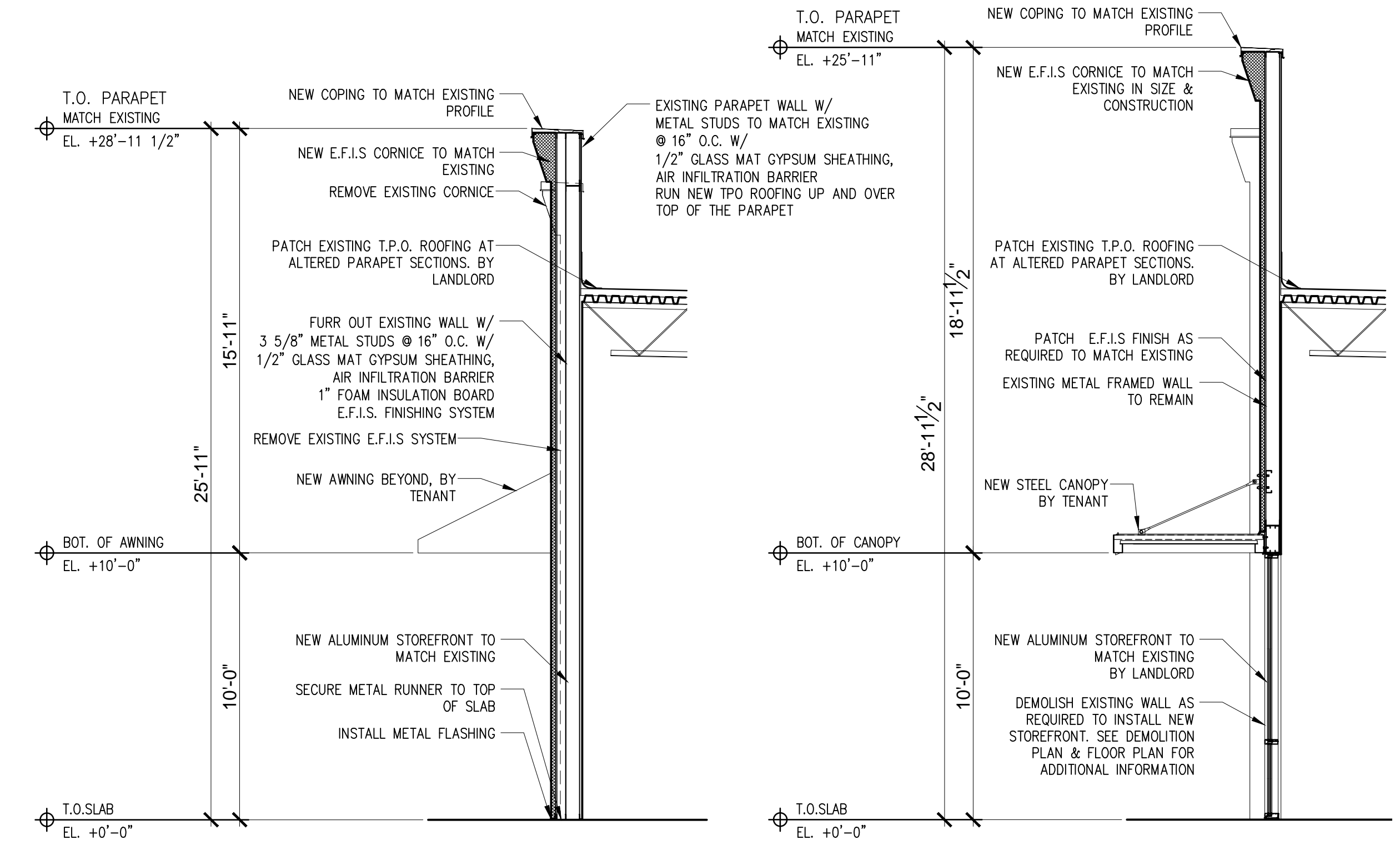
**A4.0**



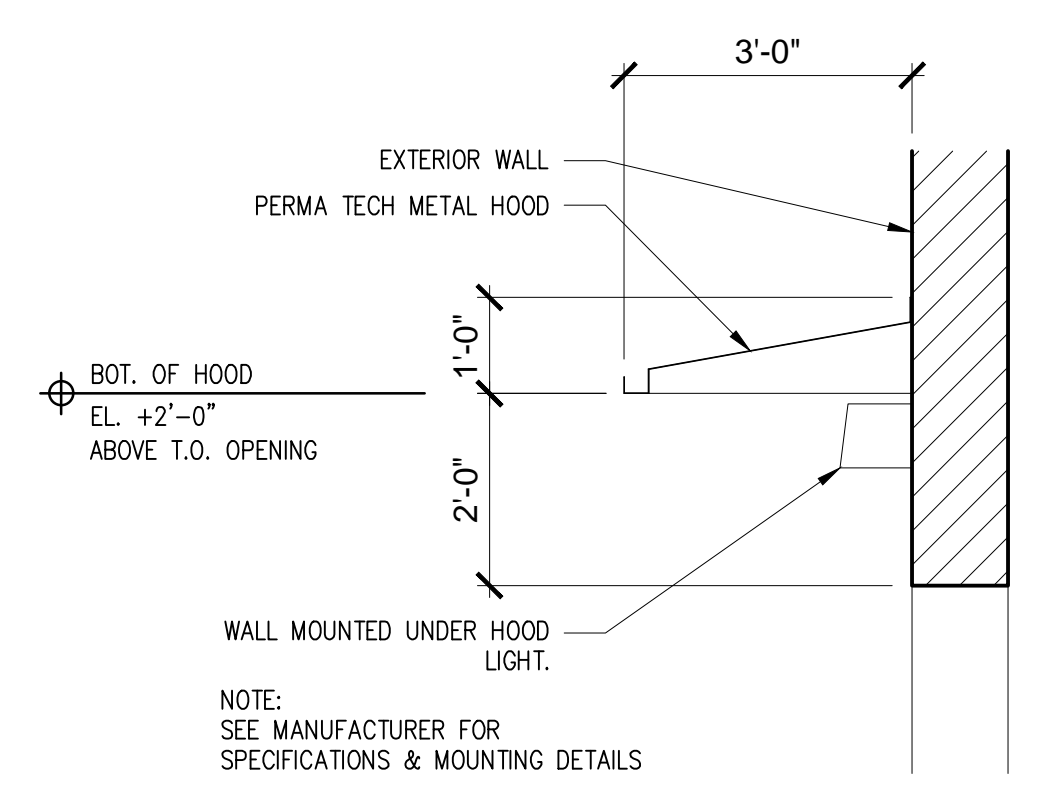
1 FRONT ELEVATION  
1/4" = 1'-0"



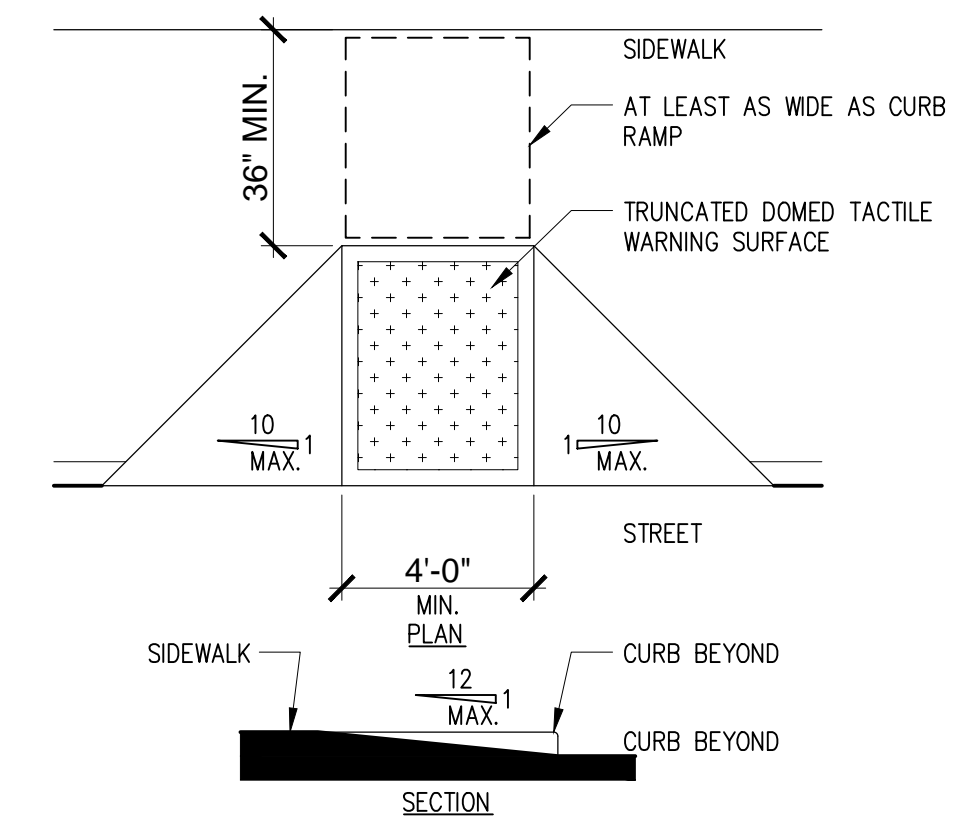
2 STORE FRONT DETAIL  
1/4" = 1'-0"



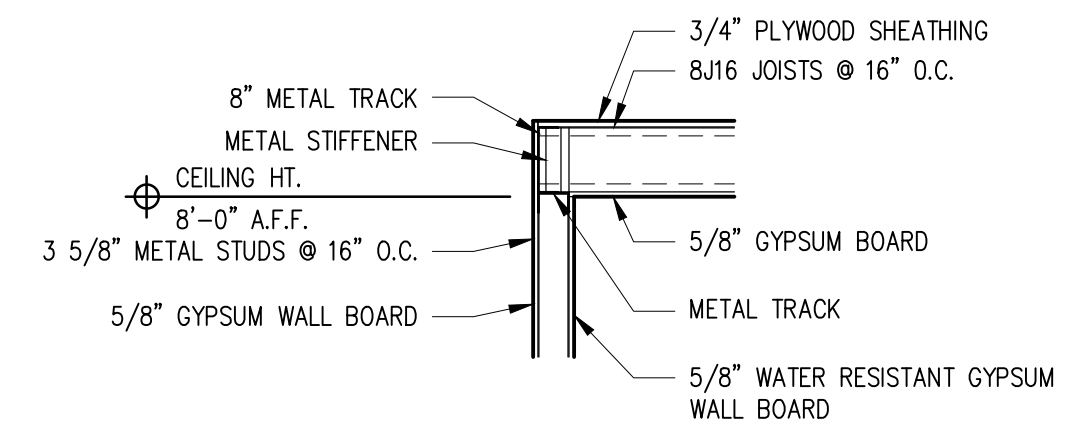
3 WALL SECTION  
1/4" = 1'-0"



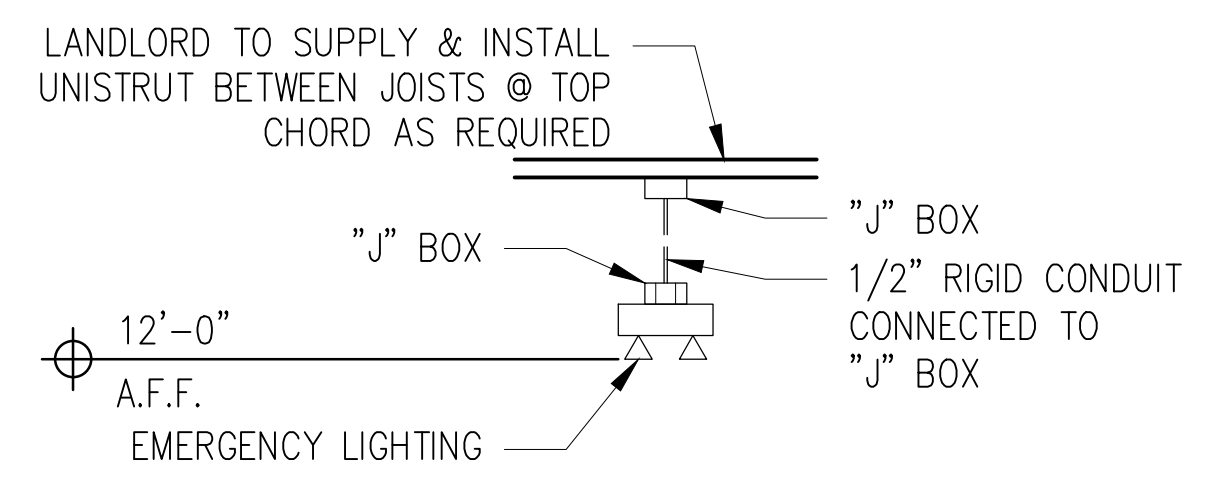
6 DETAIL  
1/4" = 1'-0"



5 A.D.A. HANDICAPPED RAMP DETAIL  
1/4" = 1'-0"



8 DETAIL  
1/4" = 1'-0"



7 DETAIL  
3/4" = 1'-0"