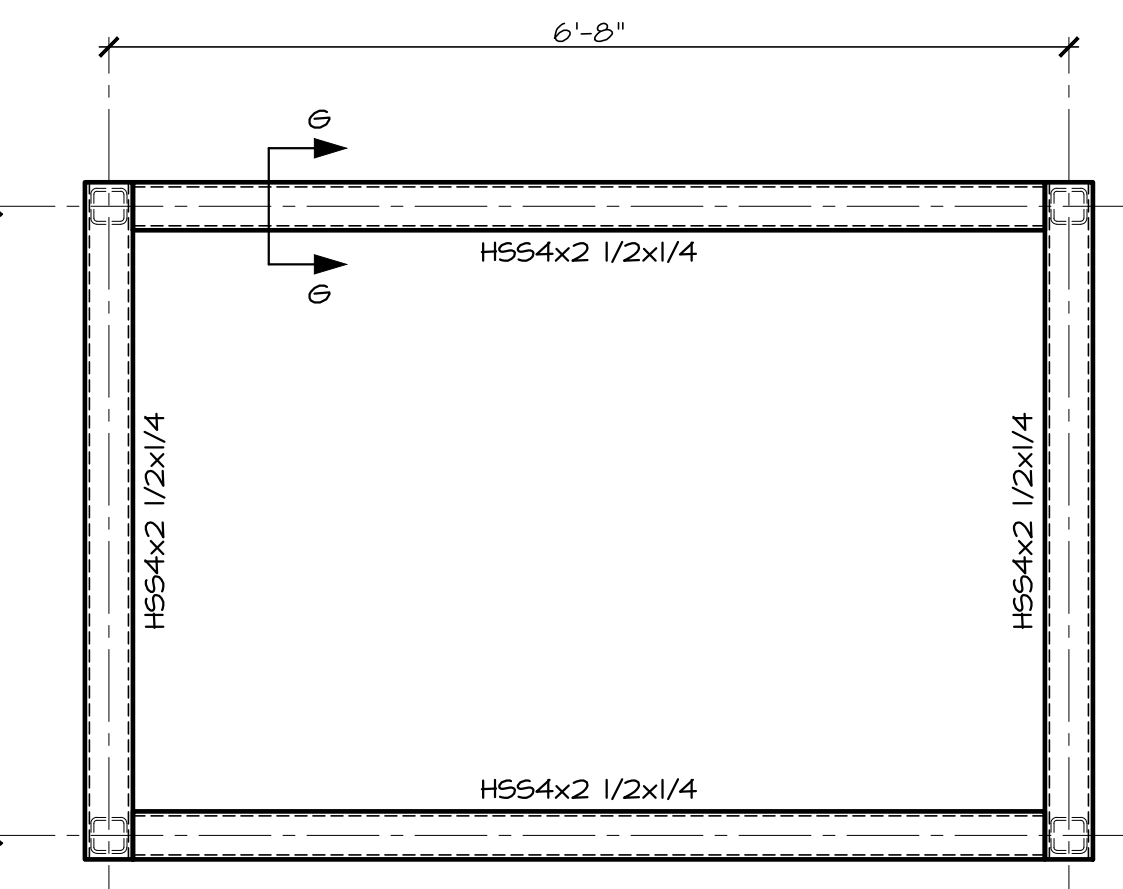


EXISTING ROOF FRAMING PLAN NOTES:

- PLACE NEH UNITS WHERE SHOWN ON PLAN.
- THE GENERAL CONTRACTOR SHALL FIELD VERIFY THAT THE DEPTHS OF THE EXISTING BEAMS INDICATED TO SUPPORT NEW ROOF TOP UNITS MATCH THE DEPTHS OF THE RESPECTIVE BEAMS INDICATED ON PLAN AND SHALL REPORT ALL DISCREPANCIES TO THE ENGINEER OF RECORD PRIOR TO INSTALLING THE ROOF TOP UNITS.

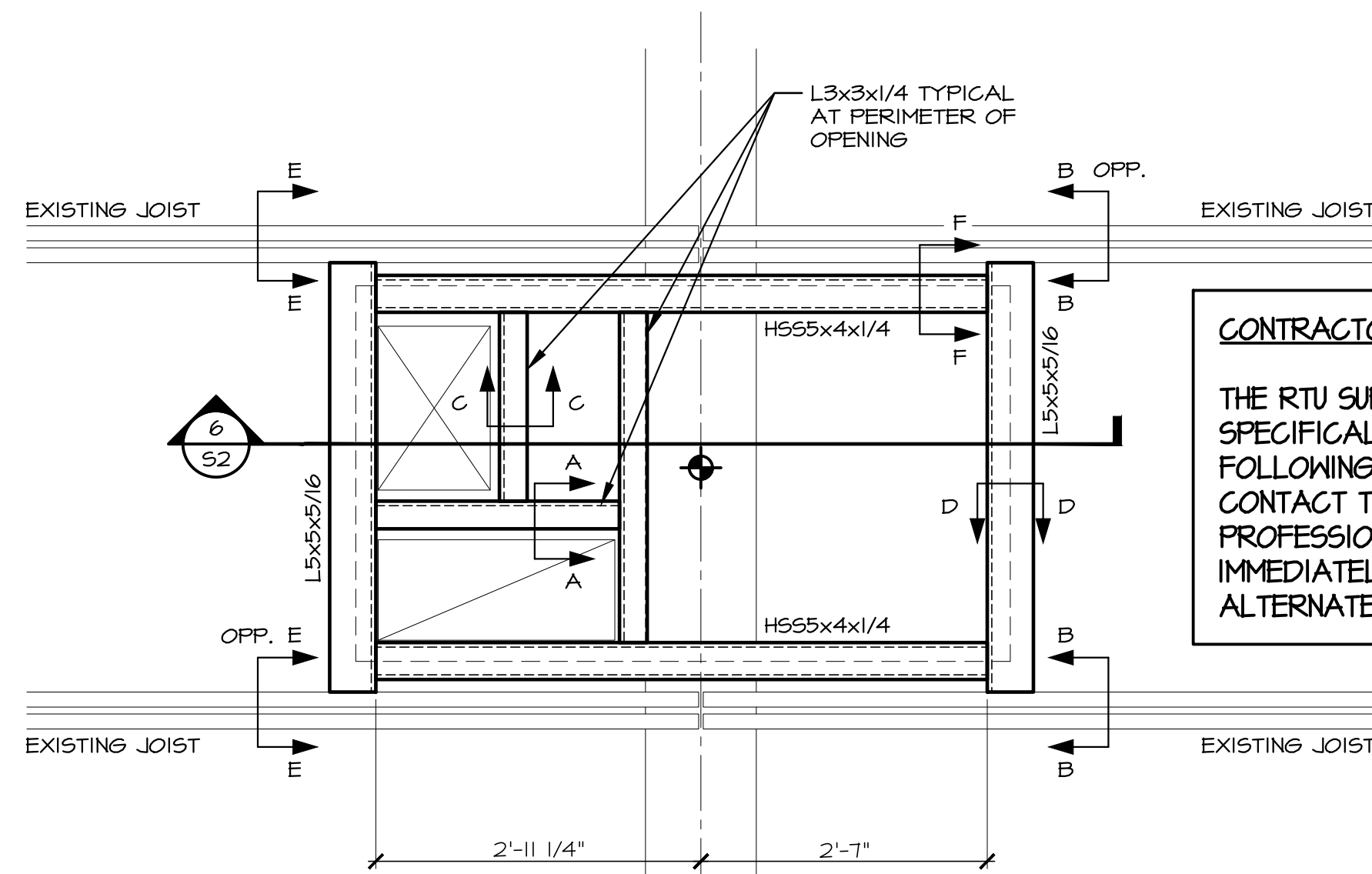
EXISTING ROOF FRAMING PLAN

SCALE: 1/8" = 1'-0"



PLAN DETAIL 4

SCALE: 3/4" = 1'-0"



PLAN DETAIL 5

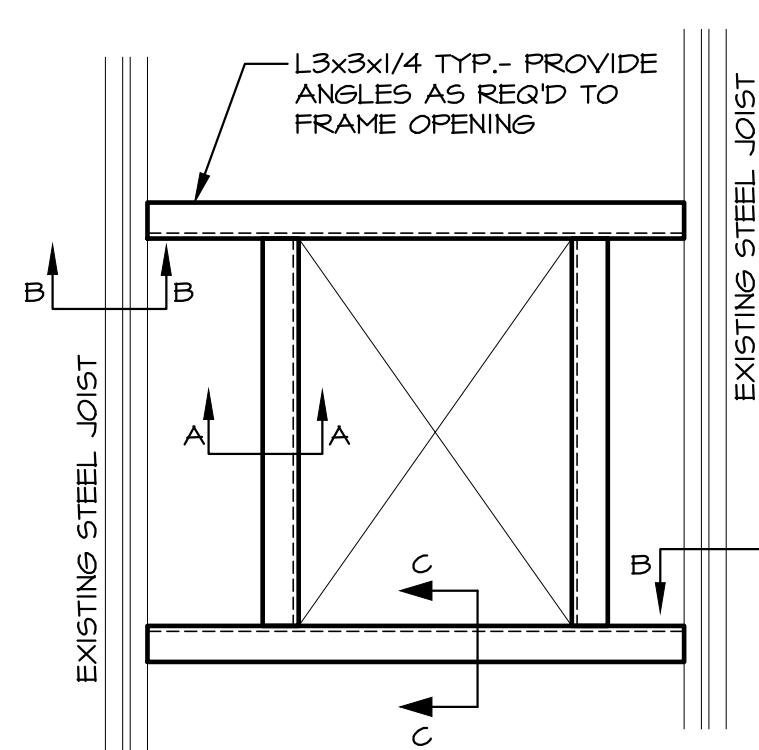
SCALE: 3/4" = 1'-0"

CONTRACTOR NOTE

THE RTU SUPPORT FRAME IS SPECIFICALLY APPLICABLE TO THE FOLLOWING EQUIPMENT: YORK XTE05. CONTACT THE REFERENCED PROFESSIONAL OF RECORD IMMEDIATELY FOR DIRECTION IF ALTERNATE UNITS ARE CONSIDERED.

NOTES:

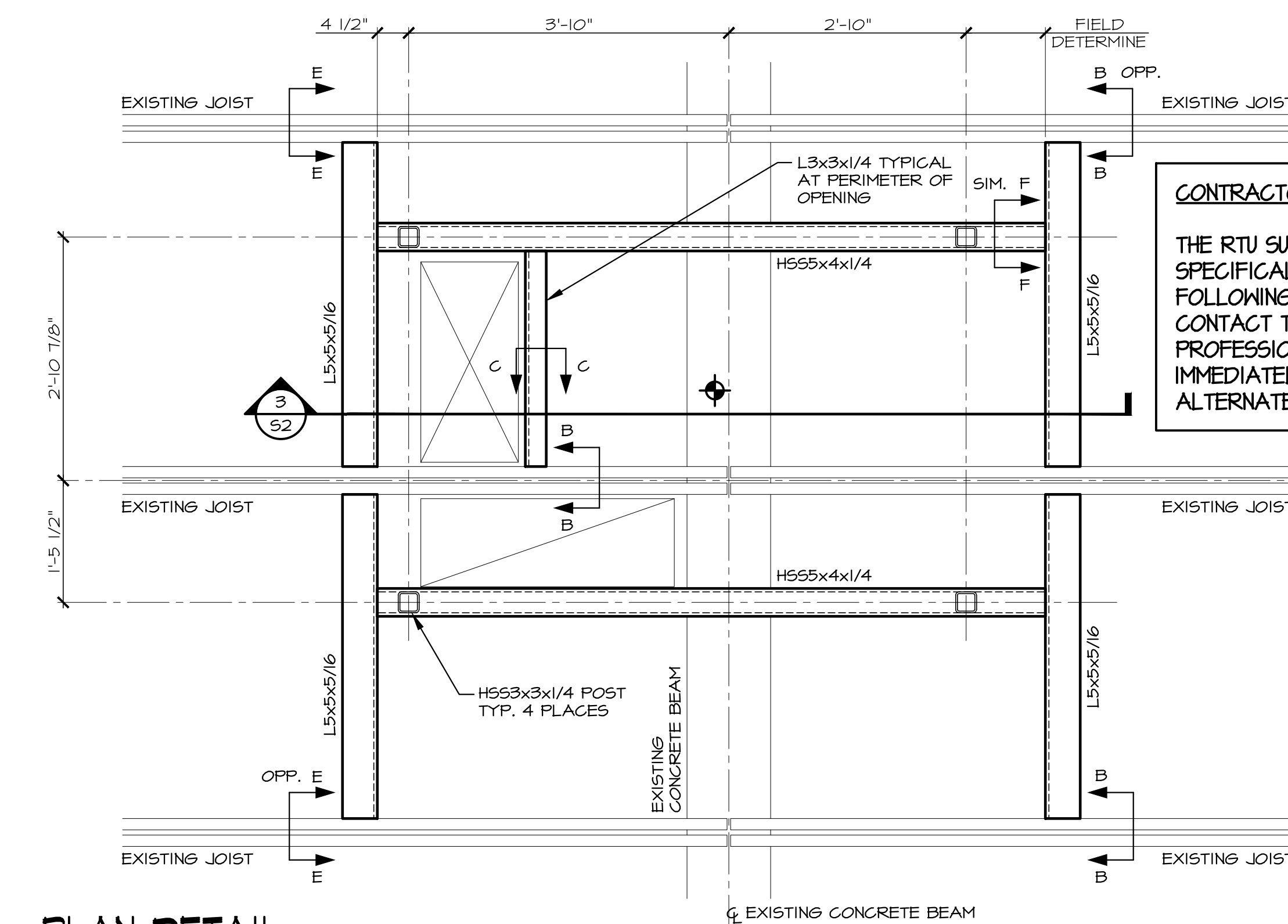
- COORDINATE WITH THE MECHANICAL DRAWINGS AND MECHANICAL CONTRACTOR FOR ALL CURB AND DUCT OPENING DIMENSIONS FOR ROOF TOP EQUIPMENT.
- TYP. ROOF OPENING DETAIL SHOWN APPLIES TO ALL ROOF OPENINGS WHERE LEAST DIMENSION IS 18" OR LARGER. ROOF OPENINGS LESS THAN 18" SHALL BE REINFORCED WITH GAGE SHEET METAL IN ACCORDANCE WITH THE STEEL DECK INSTITUTE RECOMMENDATIONS.



TYPICAL ROOF OPENING/ EXHAUST FAN SUPPORT

TYPICAL ROOF OPENING AND RTU SUPPORT DETAILS

SCALE: 3/4" = 1'-0"

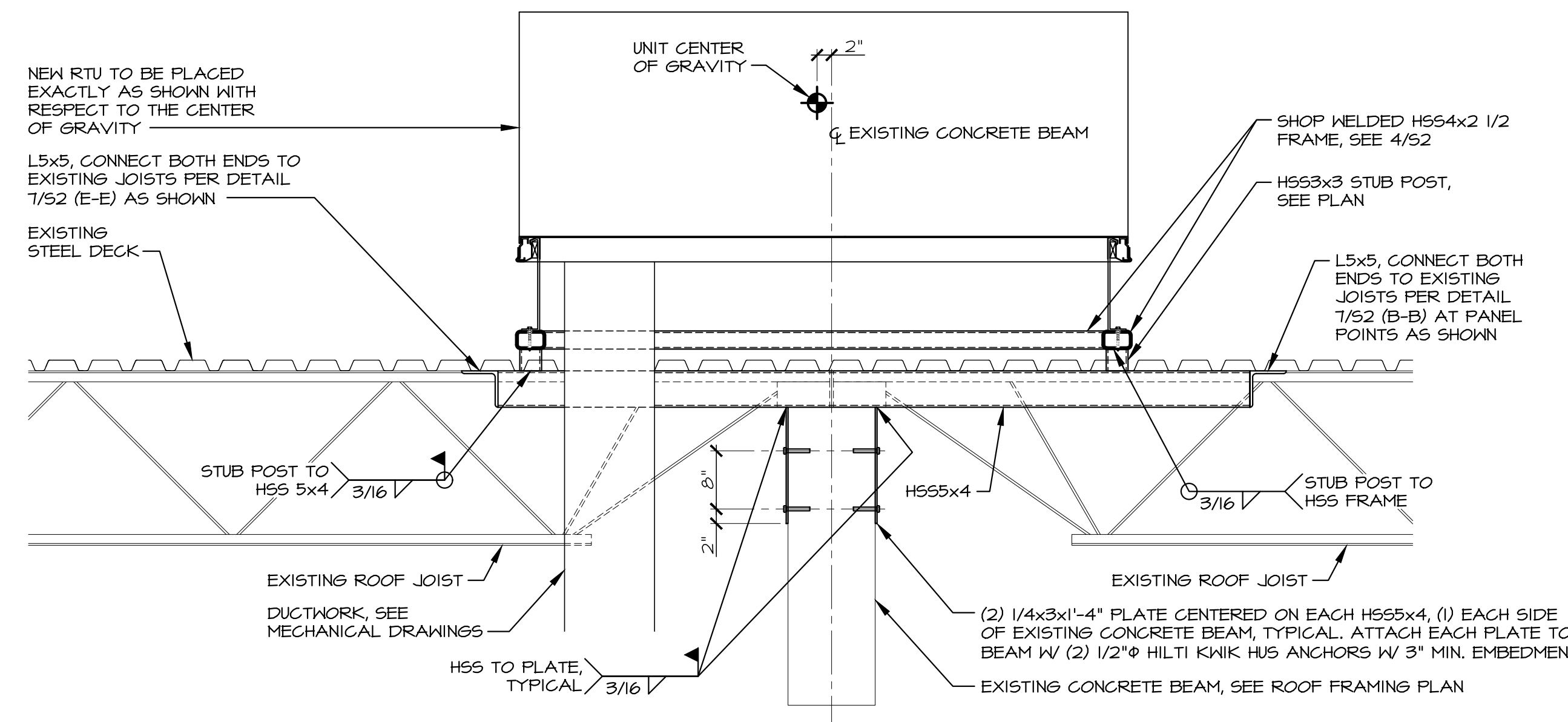


PLAN DETAIL 2

SCALE: 3/4" = 1'-0"

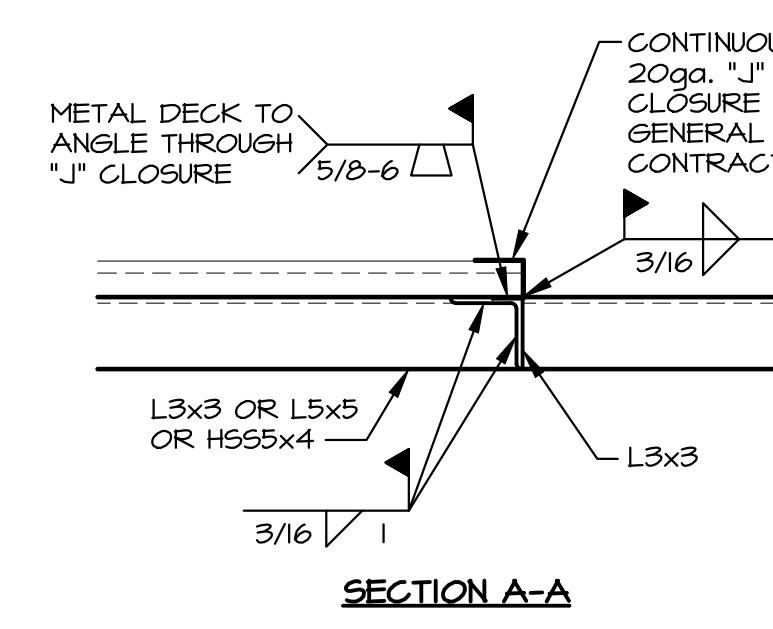
CONTRACTOR NOTE

THE RTU SUPPORT FRAME IS SPECIFICALLY APPLICABLE TO THE FOLLOWING EQUIPMENT: YORK XTE07. CONTACT THE REFERENCED PROFESSIONAL OF RECORD IMMEDIATELY FOR DIRECTION IF ALTERNATE UNITS ARE CONSIDERED.

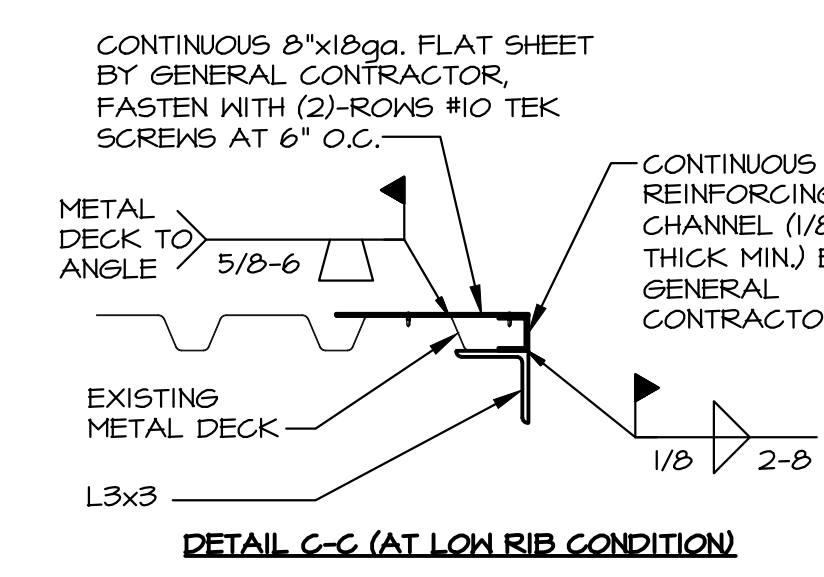


SECTION 3

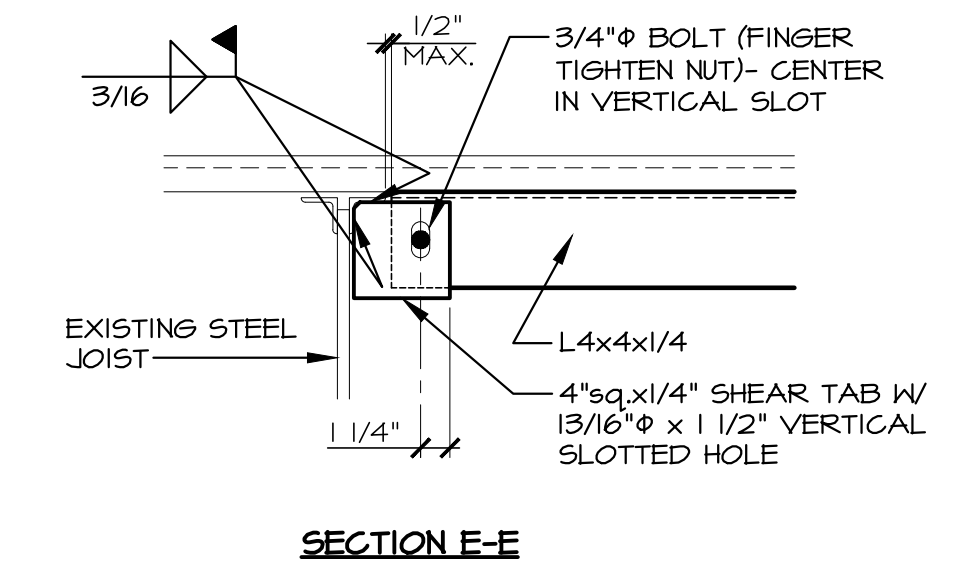
SCALE: 3/4" = 1'-0"



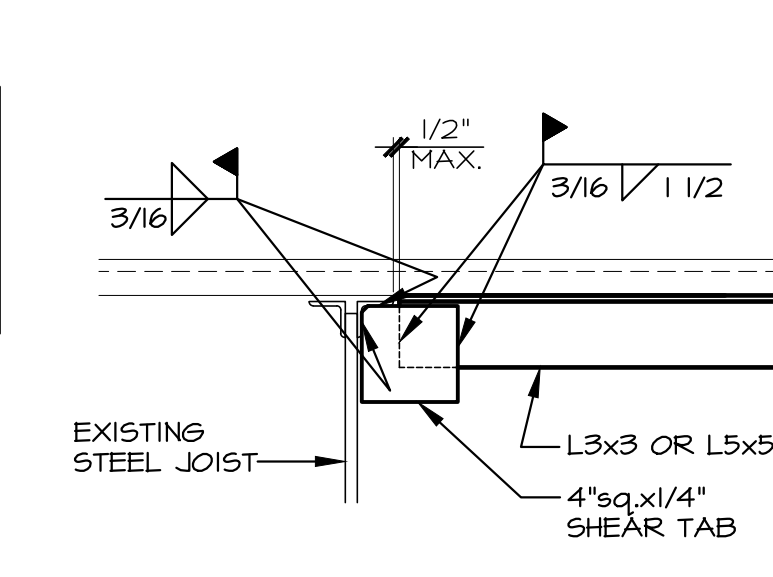
SECTION A-A



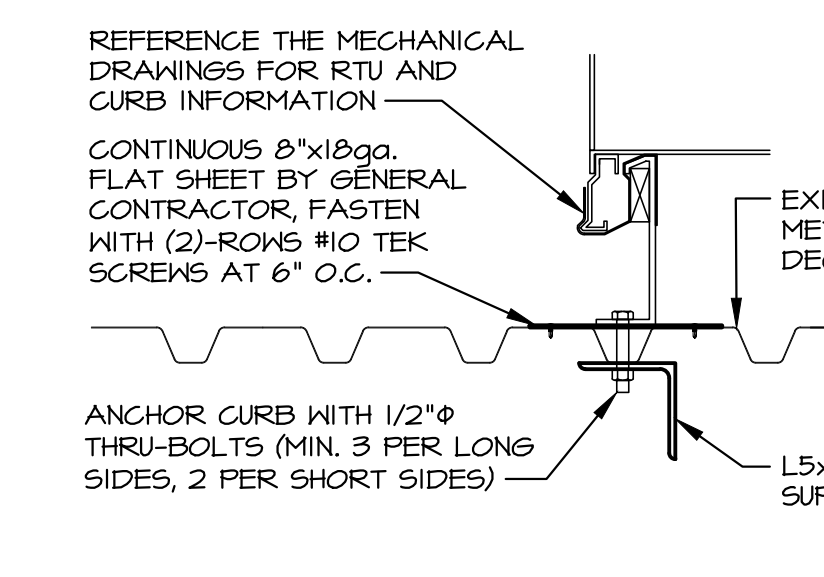
DETAIL C-C (AT LOW RIB CONDITION)



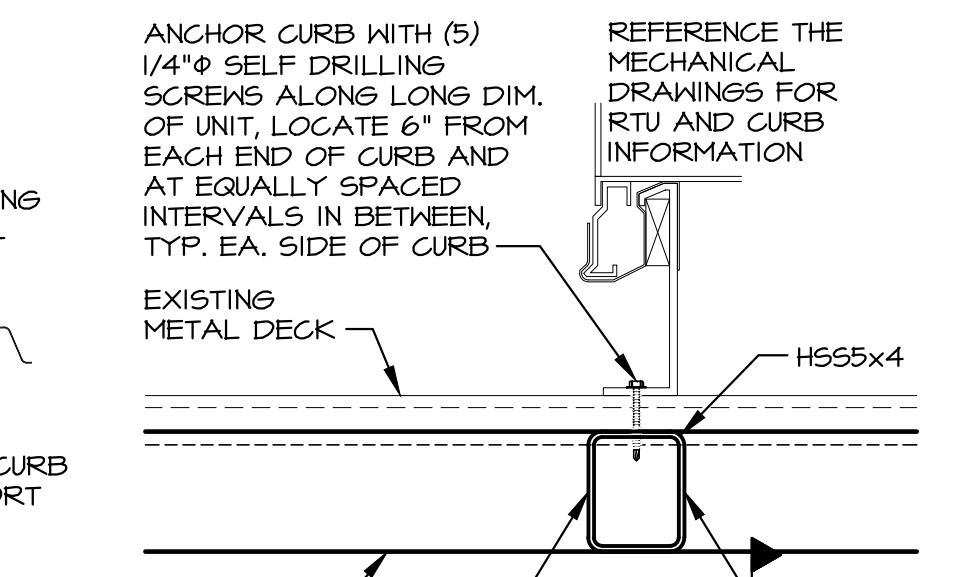
SECTION E-E



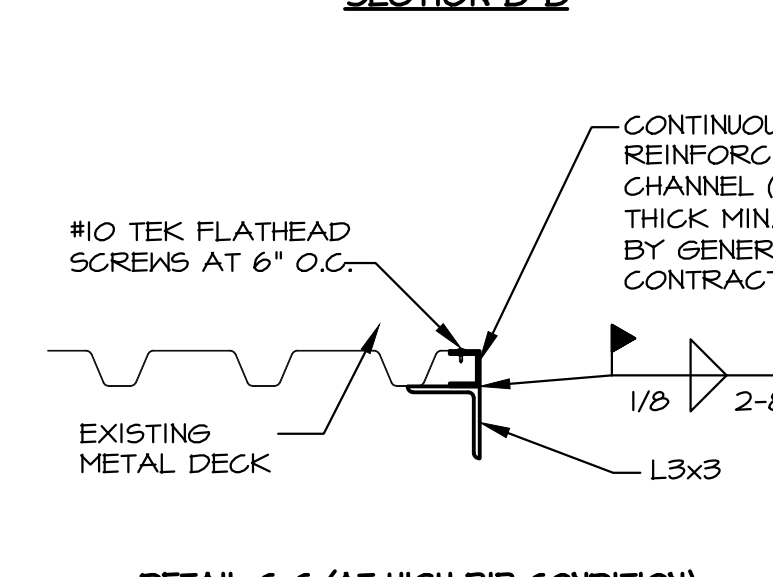
SECTION B-B



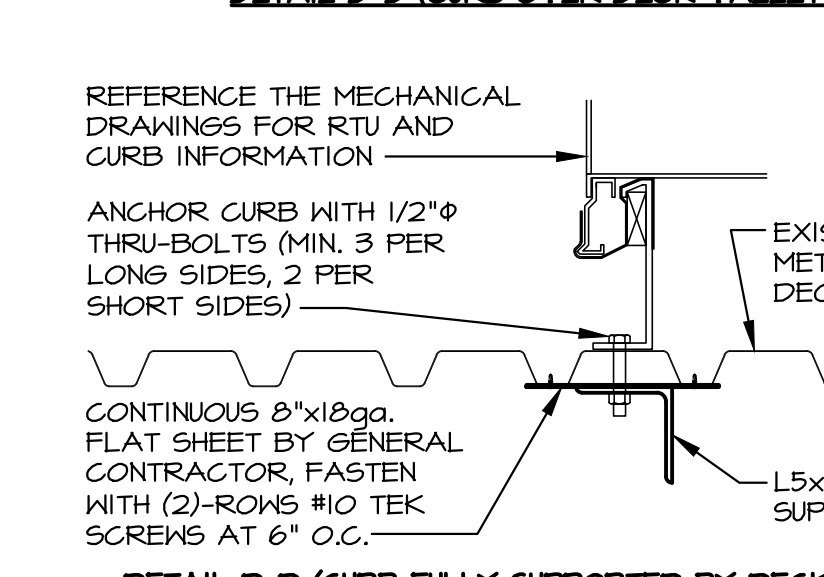
DETAIL D-D (CURB OVER DECK VALLEY)



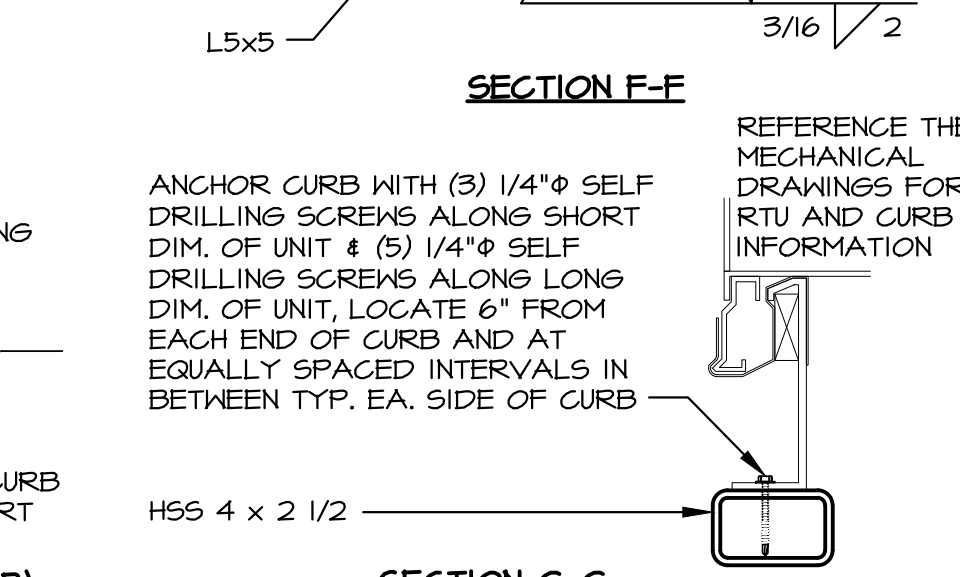
SECTION F-F



DETAIL C-C (AT HIGH RIB CONDITION)



DETAIL D-D (CURB FULLY SUPPORTED BY DECK RIB)



SECTION G-G

SECTION 6

SCALE: 3/4" = 1'-0"

SECTION 7

SCALE: 3/4" = 1'-0"

SECTION 8

SCALE: 3/4" = 1'-0"

mark	description
by	
date	
revisions	
project	
designed	
drawn	
checked	

CASCO
PROJECT MANAGERS
ST. LOUIS, MO 63121

CASCO DIVERSIFIED CORPORATION
ENGINEERING FIRM
LICENSE #11545
EXPIRES 08/31/18

PROFESSIONAL OF RECORD

DANIEL E. CUTLER
LICENSE NO. 12886
EXP. DATE: 03/31/18
PHONE: 314-821-1100

DOLLAR TREE
EMPIRE PLAZA
2110 S. ZARZAVORA ST., SAN ANTONIO, TX 78207
drawing EXISTING ROOF FRAMING PLAN DETAILS & SECTIONS

project

52

52