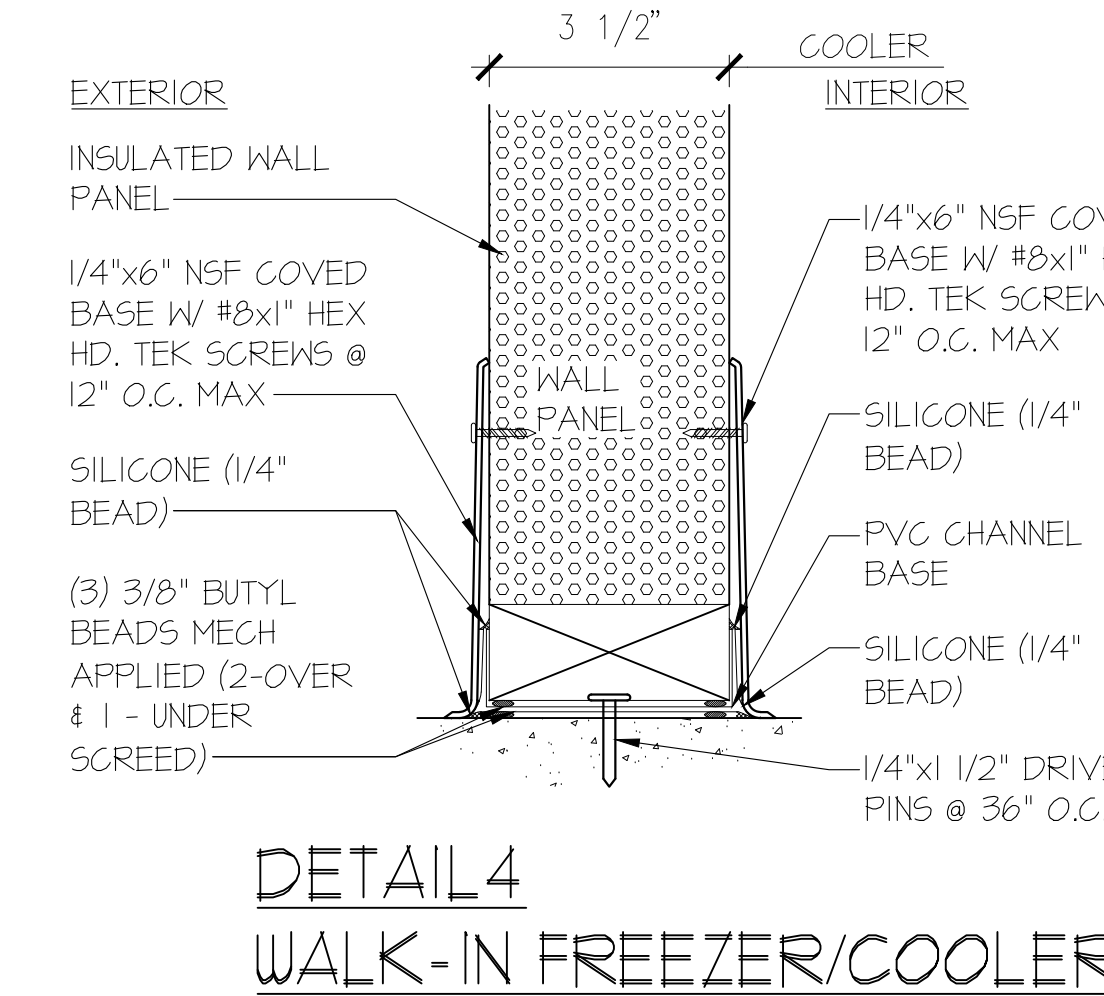
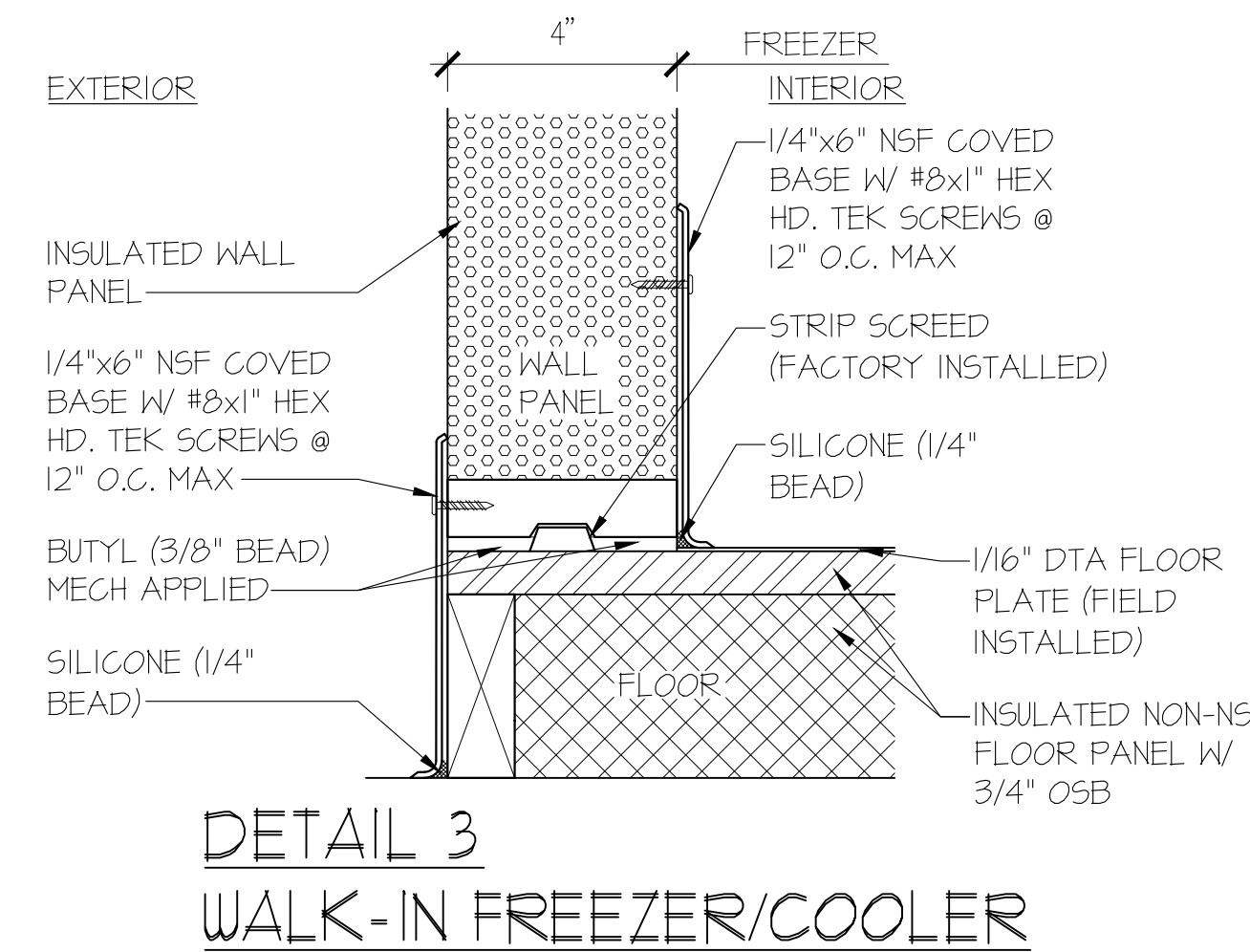
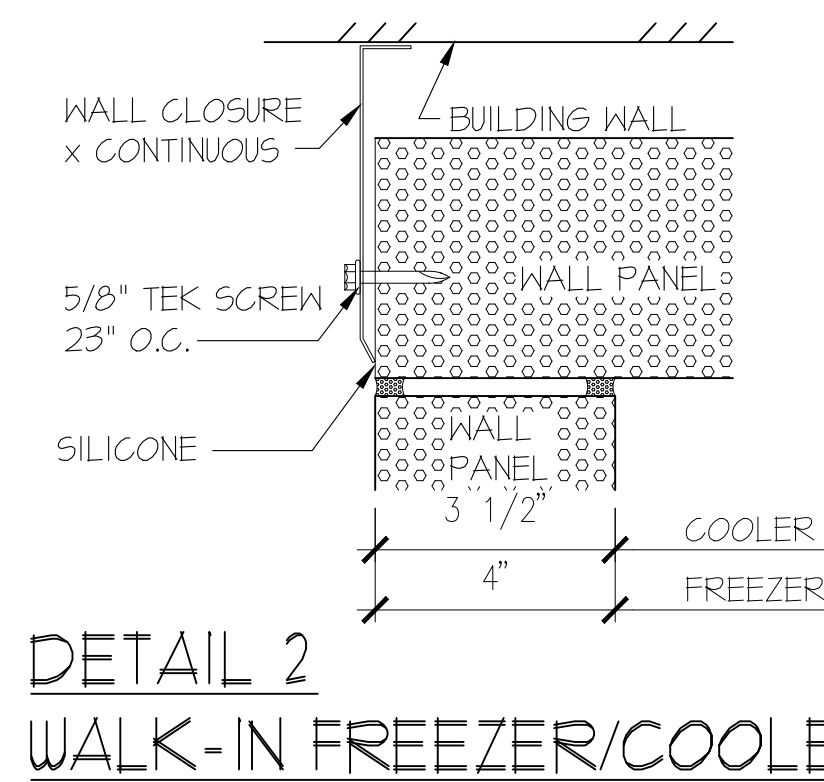
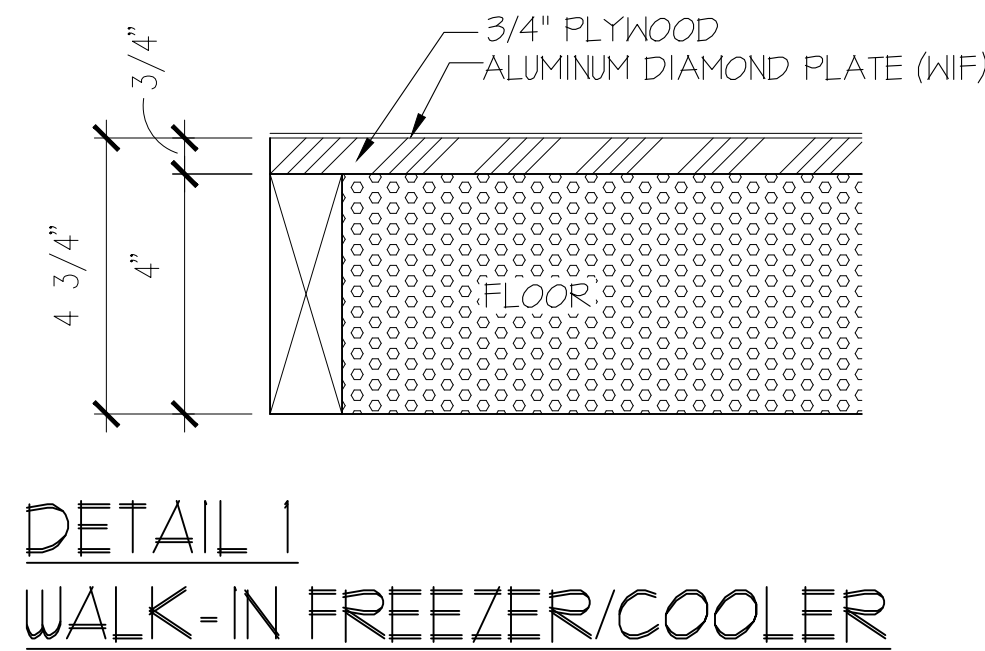
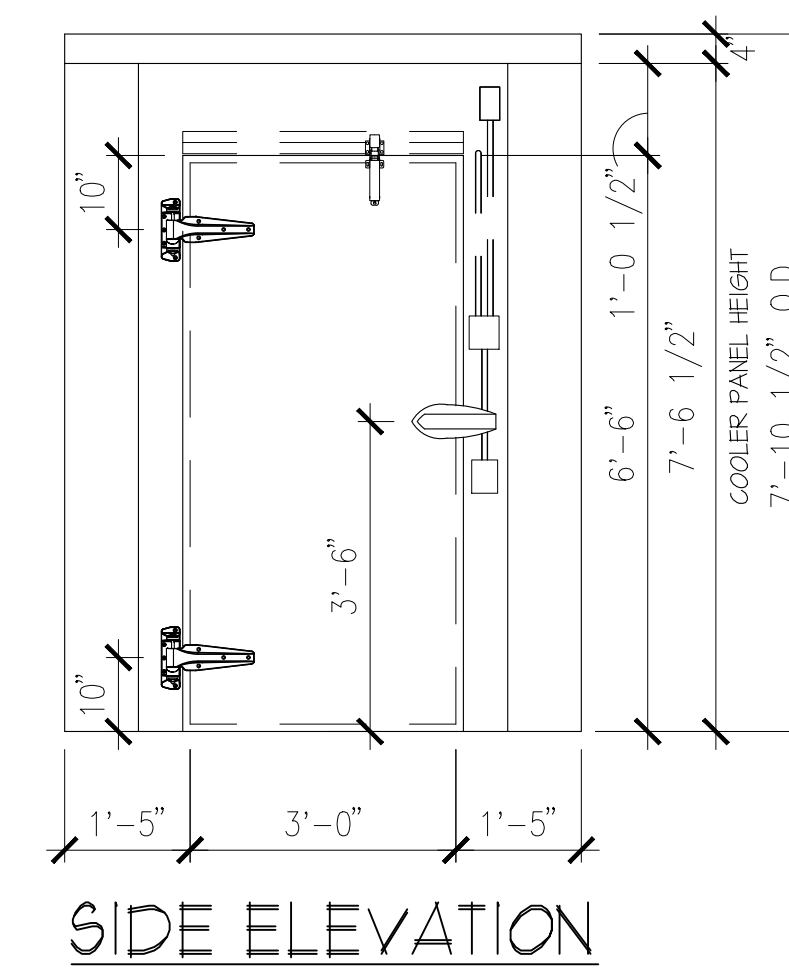
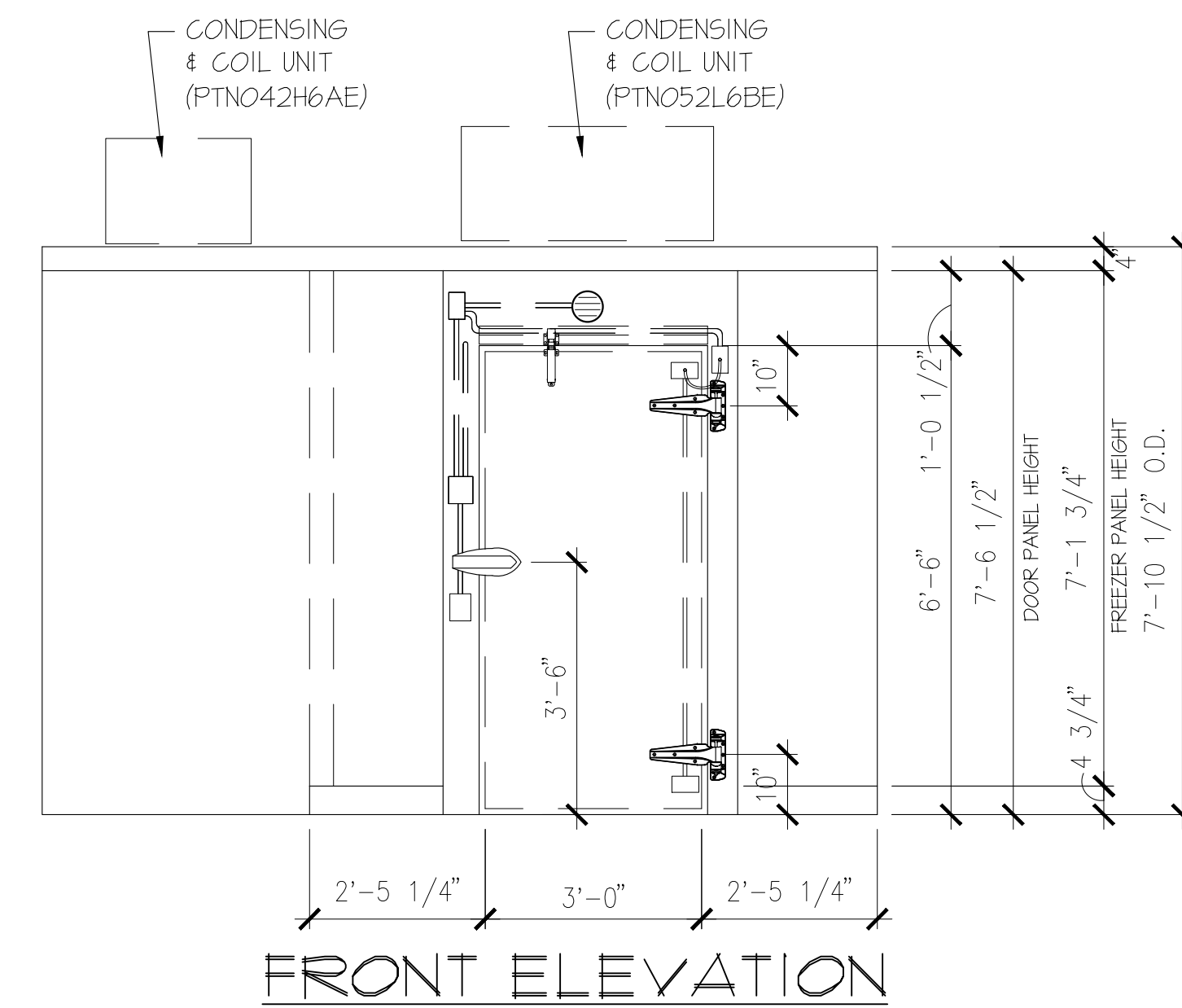
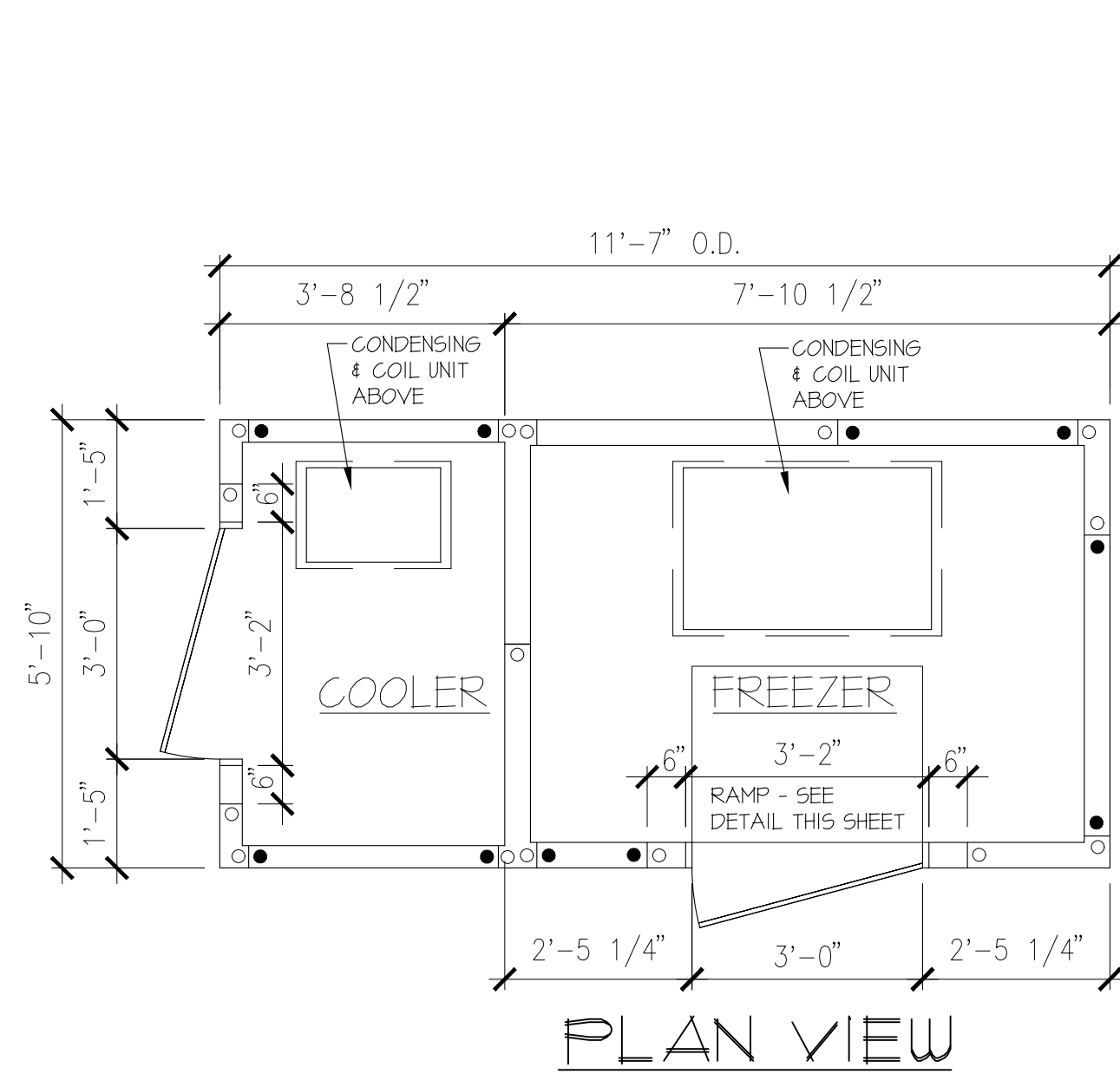


KPS GLOBAL PREFABRICATION
WALK-IN FREEZER/COOLER UNIT



SPECIFICATIONS

CONSTRUCTION: COOLER:
WALLS: 3 1/2" FOAM-FRAME (T & G), POLYURETHANE F-I-P
TOPS: 4" FOAM-FRAME (T & G), POLYURETHANE F-I-P

FREEZER:
WALLS: 4" FOAM-FRAME (T & G), POLYURETHANE F-I-P
TOPS: 4" FOAM-FRAME (T & G), POLYURETHANE F-I-P
FLOORS: 4" FOAM-FRAME (T & G), WITH ONE(1) LAYER OF 3/4" PLYWOOD INTERIOR FLOORS

FINISH:
266A STUCCO GALV. STEEL INTERIOR
266A STUCCO GALV. STEEL EXTERIOR
.032 STUCCO ALUMINUM INTERIOR FLOORS WITH .062 ALUMINUM DIAMOND PLATE - (FIELD INSTALLED)
266A STUCCO GALV. STEEL EXTERIOR FLOORS

- ACCESSORIES:
- 1 EA. - 36" X 78" HINGED, INFIT, 4" THICK, SELF CLOSING FREEZER DOOR WITH HEATED FRAME (3 SIDES), ADJUSTABLE HEATED SWEEP AND MAGNETIC GASKET (266A STUCCO GALV. STEEL INT. & EXT., K-TT W/489 2-K126), AND I-K1044) #10 GA. GALV. JAMB (4") - NEW STYLE
 - 1 EA. - 36" X 78" HINGED, INFIT, 4" THICK, SELF CLOSING COOLER DOOR WITH MAGNETIC GASKET AND ADJUSTABLE SWEEP (266A STUCCO GALV. STEEL INT. & EXT., K-TT W/489, 2-K126), AND I-K1044) #10 GA. GALV. JAMB (3 1/2") - NEW STYLE
 - 2 EA. - 44" X 86" PLASTIC CURTAINS
 - 2 EA. - 48" LED LIGHT FIXTURE SUPPLIED BY ORIGIN RETAIL (MODEL #LD-TL-B040-RX-40P) (SHIP LOOSE)
 - 2 EA. - WEATHER PROOF J-BOX
 - 3 EA. - WIDE J-BOX
 - 4 EA. - SMALL 2X4 J-BOX
 - 2 EA. - WIDE PVC J-BOX (F5CC#54240)
 - 1 EA. - HEATED AIR VENT (#1830)
 - 1 EA. - OPENING FOR PRO 3 UNIT (PTN052L6BE)
 - 1 EA. - OPENING FOR PRO 3 UNIT (PTN052L6BE)
 - 1 EA. - INTERIOR RAMP (24 1/2" DEEP WITH 1 3/4" EXTENDED FRONT EDGE, 125 ALUMINUM DIAMOND PLATE, .040 SMOOTH ALUMINUM)
 - 2 EA. - PRE-WIRED WEISS ALARM W/4 1/2 METER PROBE

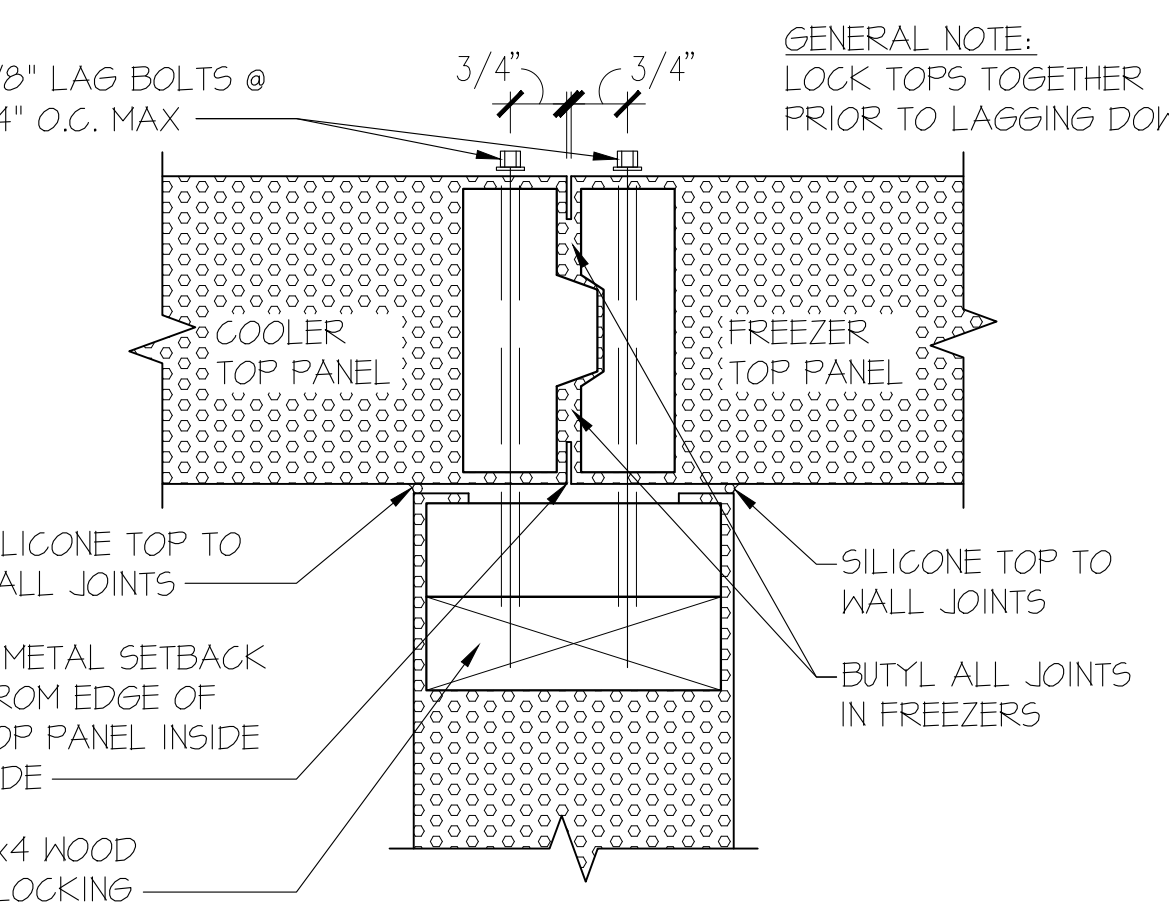
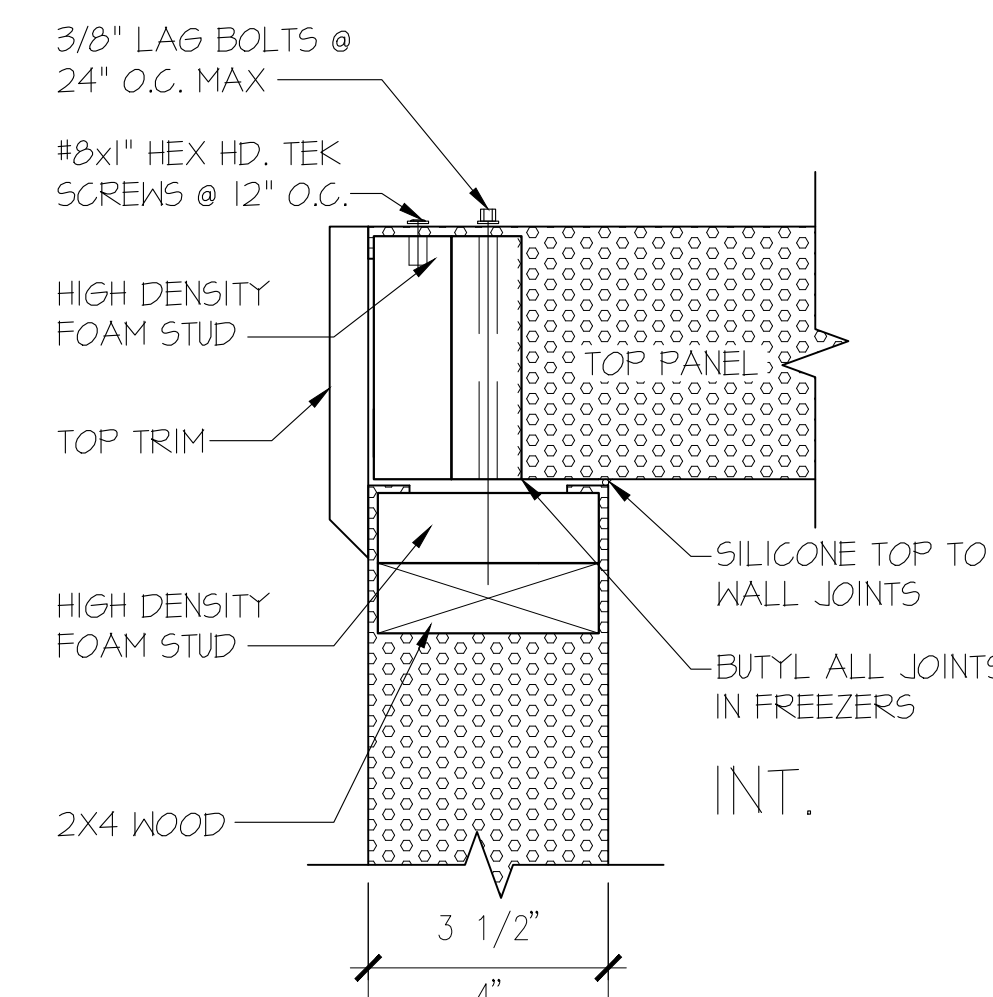
NOTE:
LAG DOWN TOP PANELS (PRE-DRILLED LAG HOLES) PVC SCREED - COOLER
PRE-DRILLED HOLES ON FLOOR PLATING
UL STICKER (FOAM FRAME)
2-WALL CLOSE OFFS

GENERAL NOTES:

1. ALL WALK-INS ARE DESIGNED FOR INDOOR APPLICATION UNLESS NOTED OTHERWISE.
2. PENETRATIONS AND SEALING OF PENETRATIONS - ARE THE RESPONSIBILITY OTHERS.
3. PROVIDE 6" MINIMUM CLEARANCE AROUND WALK-IN WITH A MINIMUM AIR CIRCULATION OF 5 CFM FOR EVERY 100 SF OF PANEL SURFACE.
4. PANEL LAYOUT MAY CHANGE BASED ON OPTIMAL MANUFACTURING STANDARDS. WALK-IN TOP IS NOT DESIGNED FOR STORAGE UNLESS NOTED OTHERWISE - TOPS ARE DESIGNED FOR 10 PSF UNIFORMLY DISTRIBUTED.
5. QUARRY TILE OR CONCRETE FLOOR APPLICATIONS; METAL PANEL FACING MAY BE SUSCEPTIBLE TO STAINING DUE TO EXCESSIVE MOISTURE CREATED BY THE HYDRATION OF CONCRETE TYPE MATERIALS. IT IS ABSOLUTELY NECESSARY THAT EACH ROOM BE PROPERLY VENTILATED. SPECIAL PRECAUTIONS MUST ALSO BE TAKEN WHEN USING MURIATIC ACID DUE TO EFFECTS HYDROCHLORIC FUMES HAVE ON METAL MATERIALS.

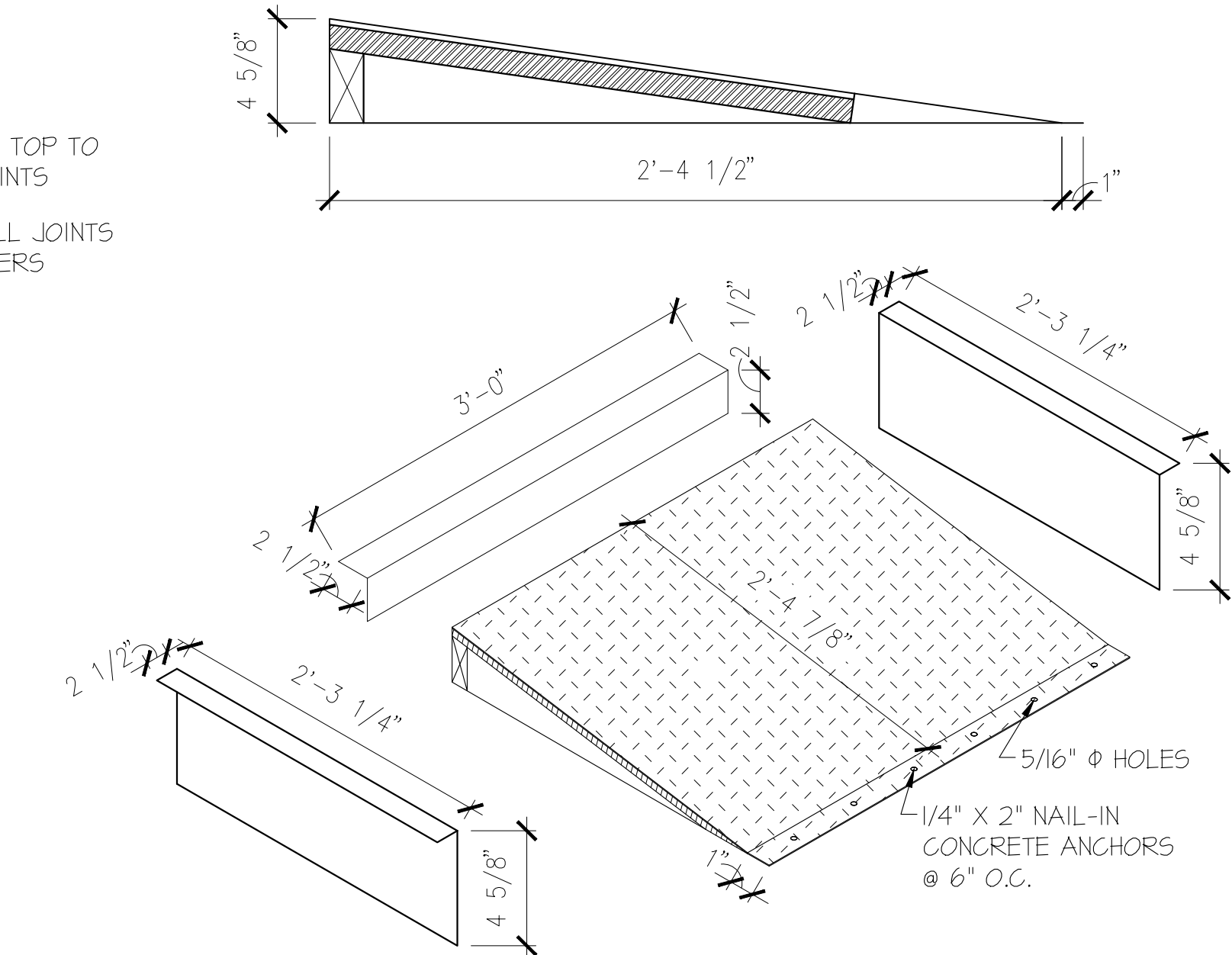
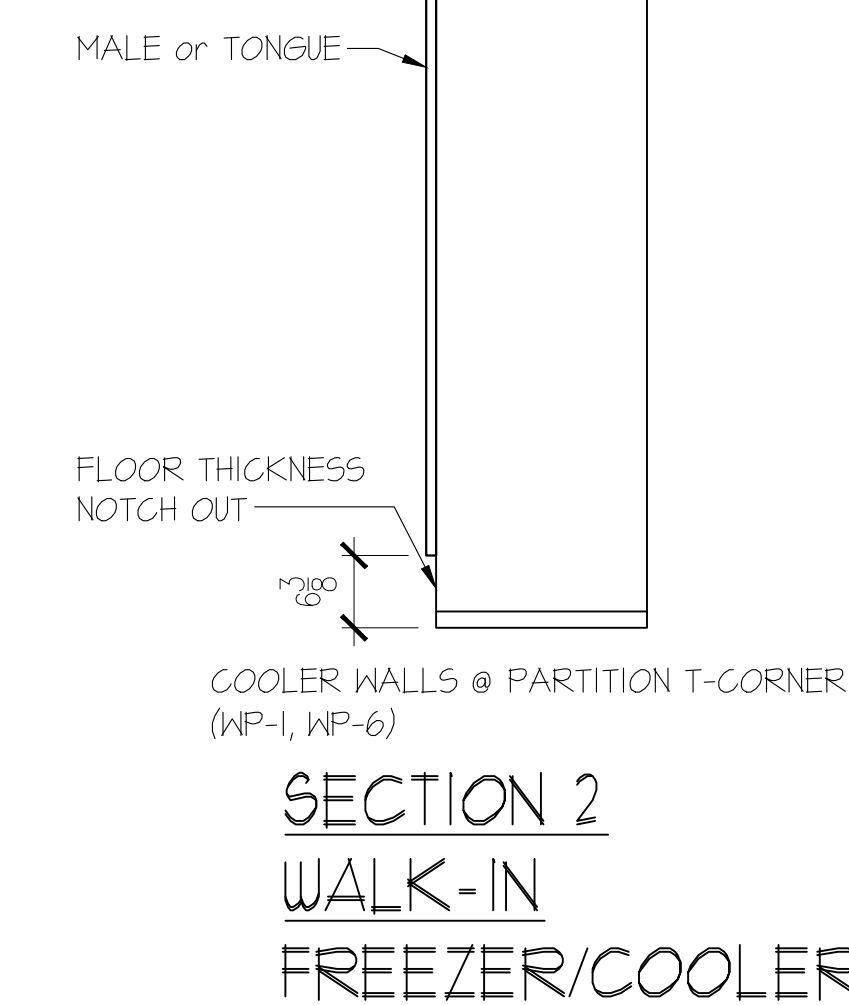
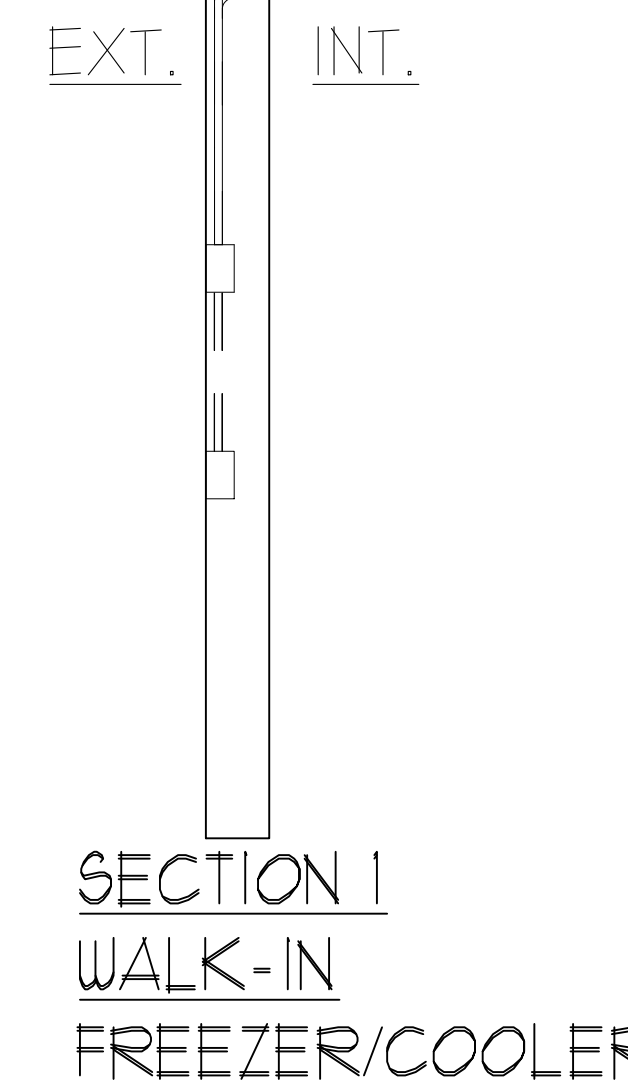
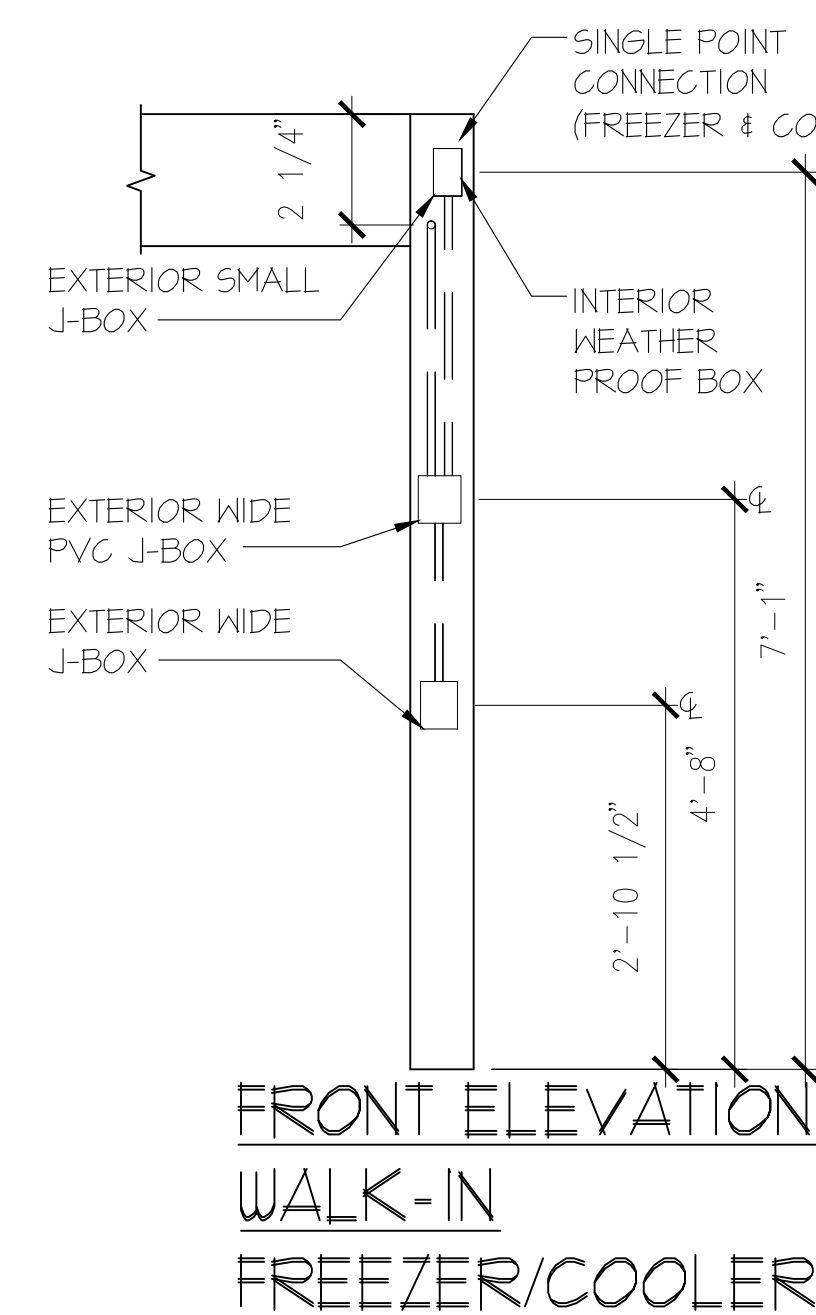
1. IF CONDENSING UNIT IS LOCATED IN THE INTERIOR OF BUILDING A MINIMUM OF 24" OF CLEARANCE IS REQUIRED AROUND TOP AND SIDES.
2. FLOOR, CURB, AND PIT DETAILS ARE FOR GENERAL REFERENCE ONLY. THESE DRAWINGS SHOULD NOT BE USED OR INCORPORATED IN THE DESIGN OR PREPARATION OF THE INSULATED FLOOR, SUB-SLAB OR CURBS, WITHOUT HAVING THE DESIGN REVIEWED BY A QUALIFIED ENGINEER. ALL FOOTINGS, FOUNDATION WALLS AND CONCRETE WEAR SLABS ARE THE RESPONSIBILITY OF THE BUILDING ENGINEER OR ARCHITECT.
3. THE FOAM PLASTIC USED IN THIS PRODUCT COMPLIES TO THE IBC SECTION 2603 AS FOLLOWS: FLAME SPREAD RATING: 15, SMOKE DEVELOPED RATING: 350 REFER TO INSTALLATION INSTRUCTIONS FOR ASSURING UNIT IS INSTALLED LEVEL AND PLUMB; DOOR OPENINGS ARE SQUARED; AND FOR LOCK-DOWN TOPS/FLOORS PANEL ASSEMBLY DIRECTIONS.
4. ANY UNITS RUNNING AT 32 DEG. AND BELOW REQUIRE BUTYL AT ALL JOINTS - TOPS TO WALLS; WALLS TO WALLS; FLOORS TO FLOORS; WALLS TO TOPS; WALLS TO FLOORS - AS PANELS ARE ASSEMBLED. BUTYL MUST NOT BE EXPOSED.

DETAIL 5
WALK-IN FREEZER/COOLER



DETAIL 5
WALK-IN FREEZER/COOLER

DETAIL 6
WALK-IN FREEZER/COOLER



RAMP SCHEDULE

Q	INT. / EXT.	SIZE	FINISH	RAMP FINISH	DUE	REMARK
1	INT.	36" X 28 1/2" X 4 5/8"	.050 SMOOTH ALUM.	.125 ALUMINUM DIAMOND PLATE		1 - 2 X 4 ADD.

- GENERAL NOTES:
1. THE PROPOSED FREEZER/COOLER UNIT SIZE IS INDICATED ON FLOOR PLAN.
 2. ALL WALK-IN & MERCHANDISING UNITS ARE SELF CONTAINED AND DO NOT REQUIRE A FLOOR DRAIN.
 3. INSTALLATION OF THESE NSF, ETL & UL LISTED UNITS SHALL COMPLY WITH ALL STATE AND LOCAL CODES PER APPROVED PLANS.
 4. MINIMUM DESIGN LOAD UNIFORMLY DISTRIBUTED: TOPS (PSF): 10 WALLS (PSF): 5 FLOORS (PSF): 1000
- REFER TO SPECIFICATIONS

Guangzhou LEDIA Lighting Technology Co., Ltd
Tel: +86 (20) 3770 6055 E-mail: sales@ledialighting.com
Factory address: No.1 Xian Ke 1st road, Huangzhou Town, Huadu Dist., Guangzhou, China
www.ledialighting.com

Specification

LED Vapor Tight Light

Item No.	LD-TL-B024	LD-TL-B030	LD-TL-B040	LD-TL-B050	LD-TL-B060
Notes:	1. This specification for our regular product specifications. 2. The right of final interpretation of this specification to Guangzhou LEDIA Lighting Technology Co., Ltd.				

Close View
Dimensions

Copyright © 2015 Guangzhou LEDIA Lighting Technology Co., Ltd. All rights reserved.
Version 1.1 Issuing Date: 2015.08.31/year/month/day Page 1 of 9

Guangzhou LEDIA Lighting Technology Co., Ltd
Tel: +86 (20) 3770 6055 E-mail: sales@ledialighting.com
Factory address: No.1 Xian Ke 1st road, Huangzhou Town, Huadu Dist., Guangzhou, China
www.ledialighting.com

PRODUCT DESCRIPTION	FEATURES	COMPONENTS	DIMMING
• LED Tri-proof light or LED Tight Vapor Light • Even light distribution, no glare • Waterproof, dustproof and corrosion proof, can be applied in tough industrial environment (Marine, chemical, stored, damp or rainy) • Perfect to apply for supermarkets, warehouses, parking lots, bus stops, power plants, steel plants, petroleum plants, ship yards, subways, etc.	• 82° wide beam angle • High efficacy • Frosted cover: 120lm/W • Clear cover: 115lm/W • IP65 • High lumen maintenance: 80% @30,000 hours • Aluminum main parts, good for heat dissipation • Flexible installation: suspended or surface mounted	• LED: SMD2835(MBS) • 6063 Aluminum heat sink, housing and side caps • Polycarbonate cover (Frosted/Clear) • Flaming coating of polycarbonate cover: UL94V-0 • Internal isolated driver	• Protocol of PWM • 0-10V dimming (optional)

Specification

Spec	LD-TL-B024-3W 30,000H	LD-TL-B030-3W 30,000H	LD-TL-B040-3W 30,000H	LD-TL-B050-3W 30,000H	LD-TL-B060-3W 30,000H
Lumen	2400/2760	3000/3450	4000/4560	5000/5750	6000/6900
Output(W)/Frosted/Clear			6000/6900		
Efficiency (lm/W)/Frosted/Clear	100/115	100/115	100/115	100/115	100/115
Color Temperature CCT	2700K/3000K/3500K/4000K/4500K/5000K/5600K				
Lumen Maintenance (L70)	≥50,000 hours				
Color Rendering Index (CRI)	≥80				
Beam Angle	120°				
Power Consumption	24W	30W	40W	50W	60W
Power Factor	≥0.9				
Input Voltage (V)	180V/277V/300-240VAC				
Product Dimension(mm)	600x60x30mm (D1)/120x60x30mm (H)				
Net Weight/PCS	1.2	1.2	2.1	2.1	2.1
Package Dimension(mm)	712x427x267				
Qty/Carton	4PCS/CTN				
Gross Weight/Carton	14				
Material	Aluminum + Polycarbonate				
Operating Temperature	-20°C to 40°C				
Humidity	10% - 90% RH, non condensing				
Installation	1) Suspended 2) Surface mounted				

Copyright © 2015 Guangzhou LEDIA Lighting Technology Co., Ltd. All rights reserved.
Version 1.1 Issuing Date: 2015.08.31/year/month/day Page 2 of 9

description
by
mark date
revisions

11/02/17
5/15/14
DRB
DRB
JWH

date
project
designed
drawn
checked

PROJECT MANAGERS

FOR INFORMATION ONLY NO SIGNATURE REQUIRED

PHONE: 814-821-1100

project
drawing

DOLLAR TREE
EMPIRE PLAZA
2100 S. ZARZAVORA ST., SAN ANTONIO, TX 78207
WALK-IN DETAILS AND SPECIFICATIONS

DS2

FOR REFERENCE ONLY