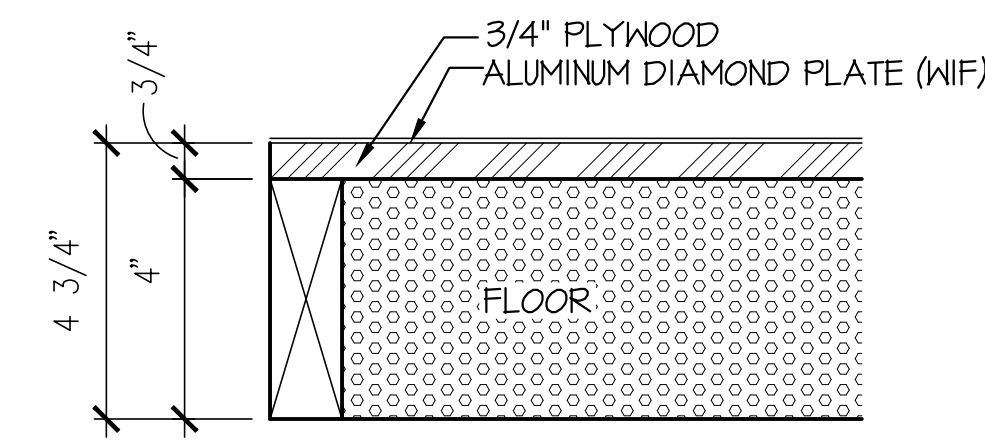
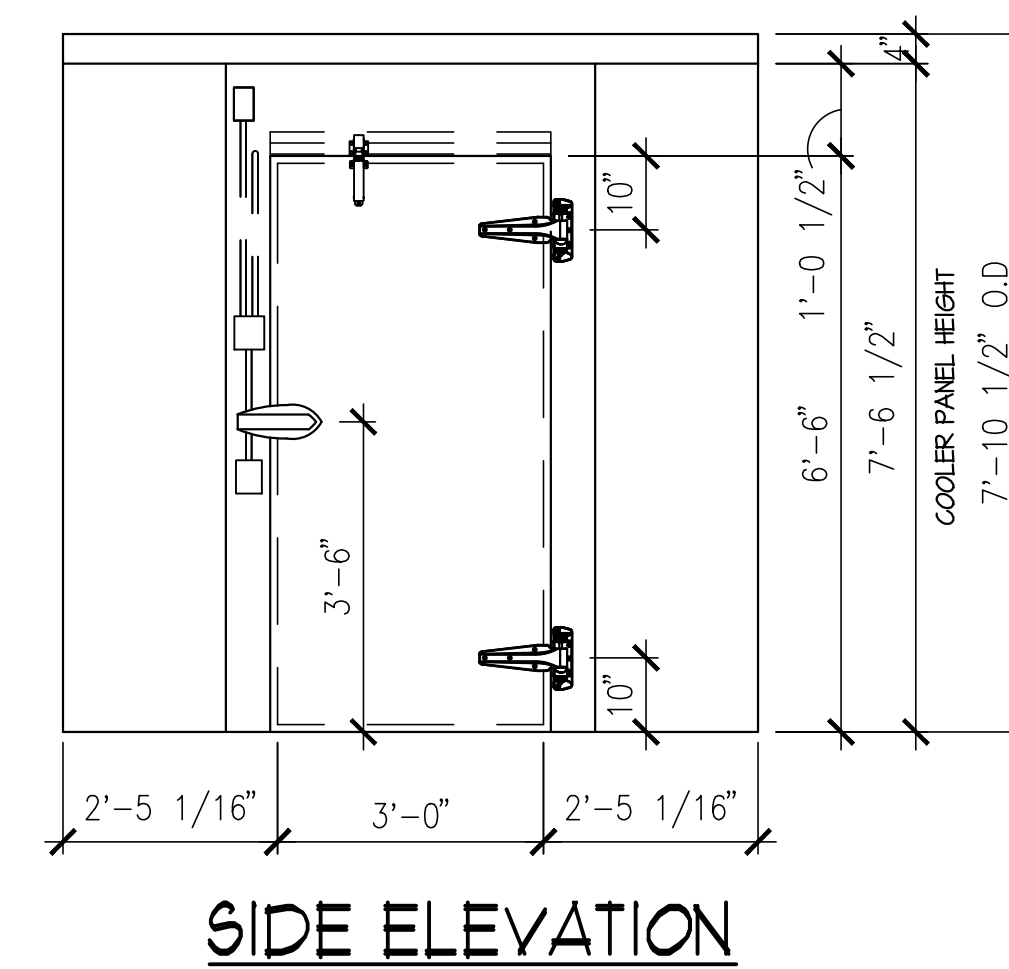
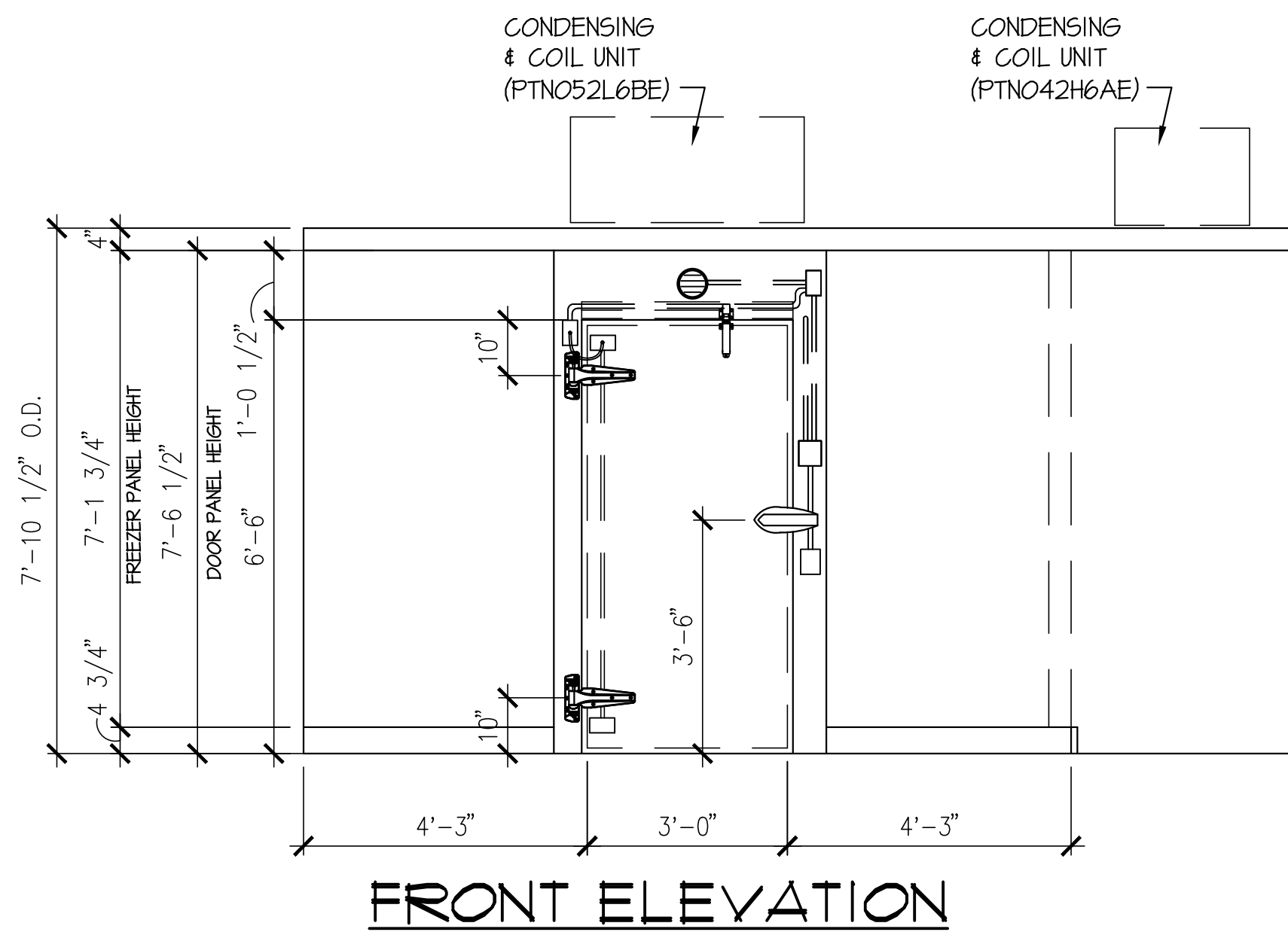
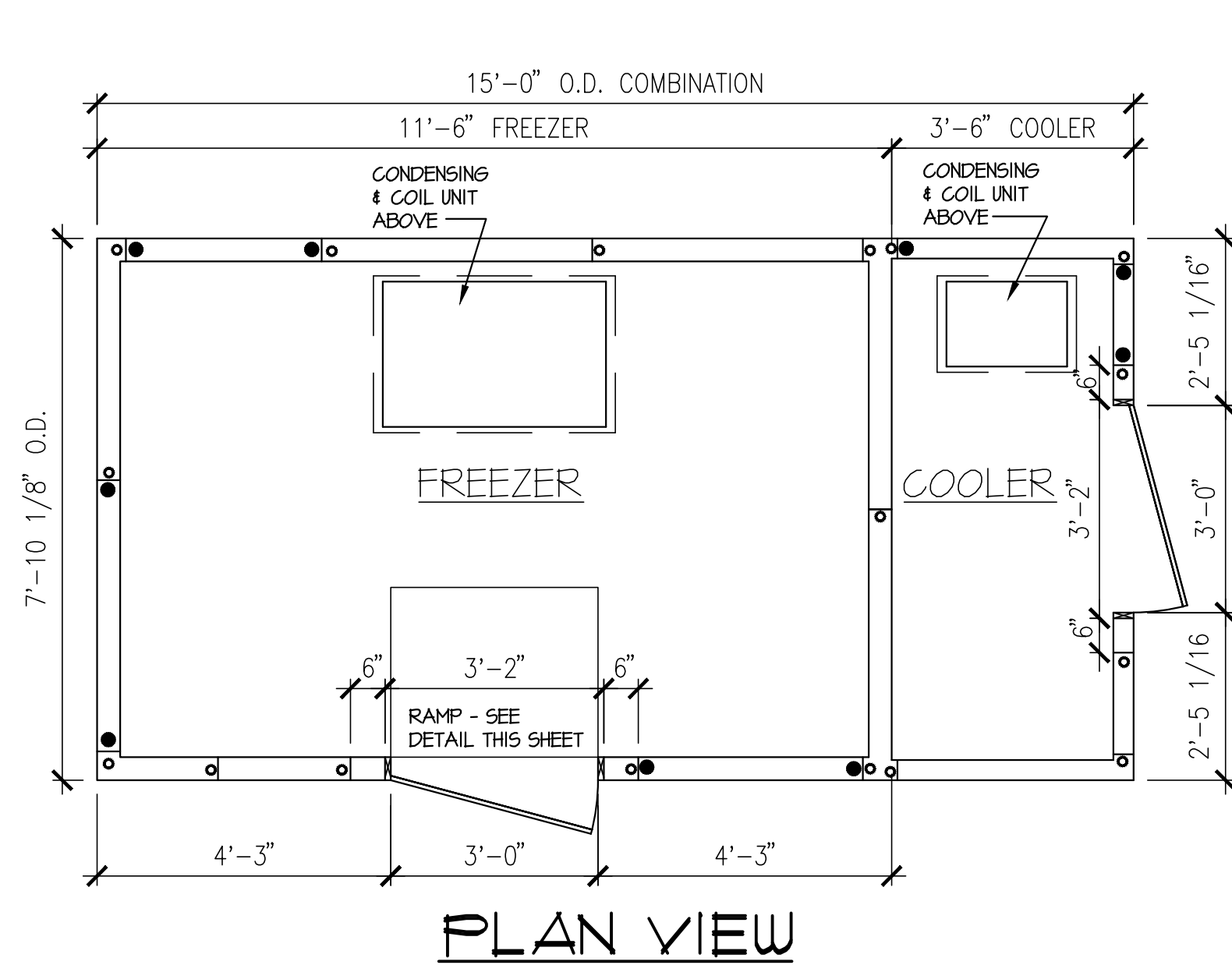
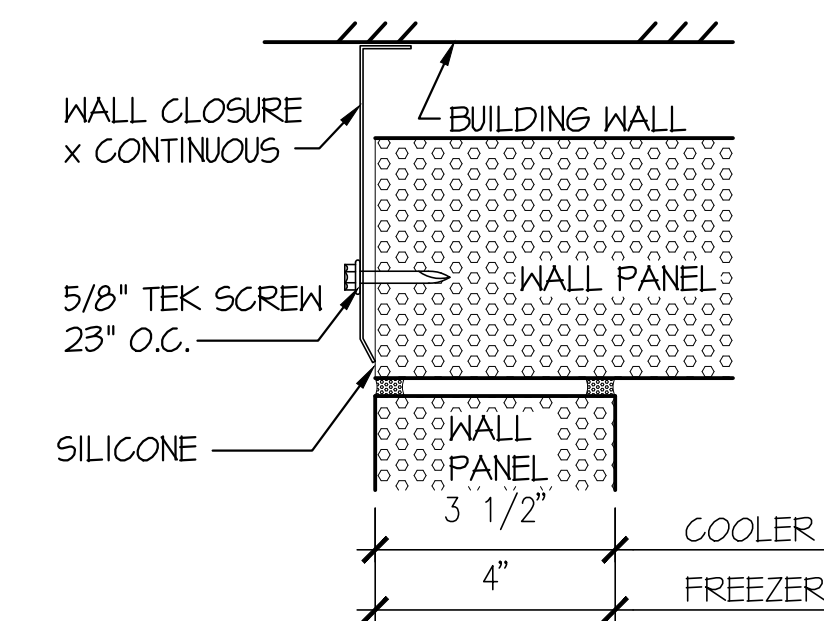


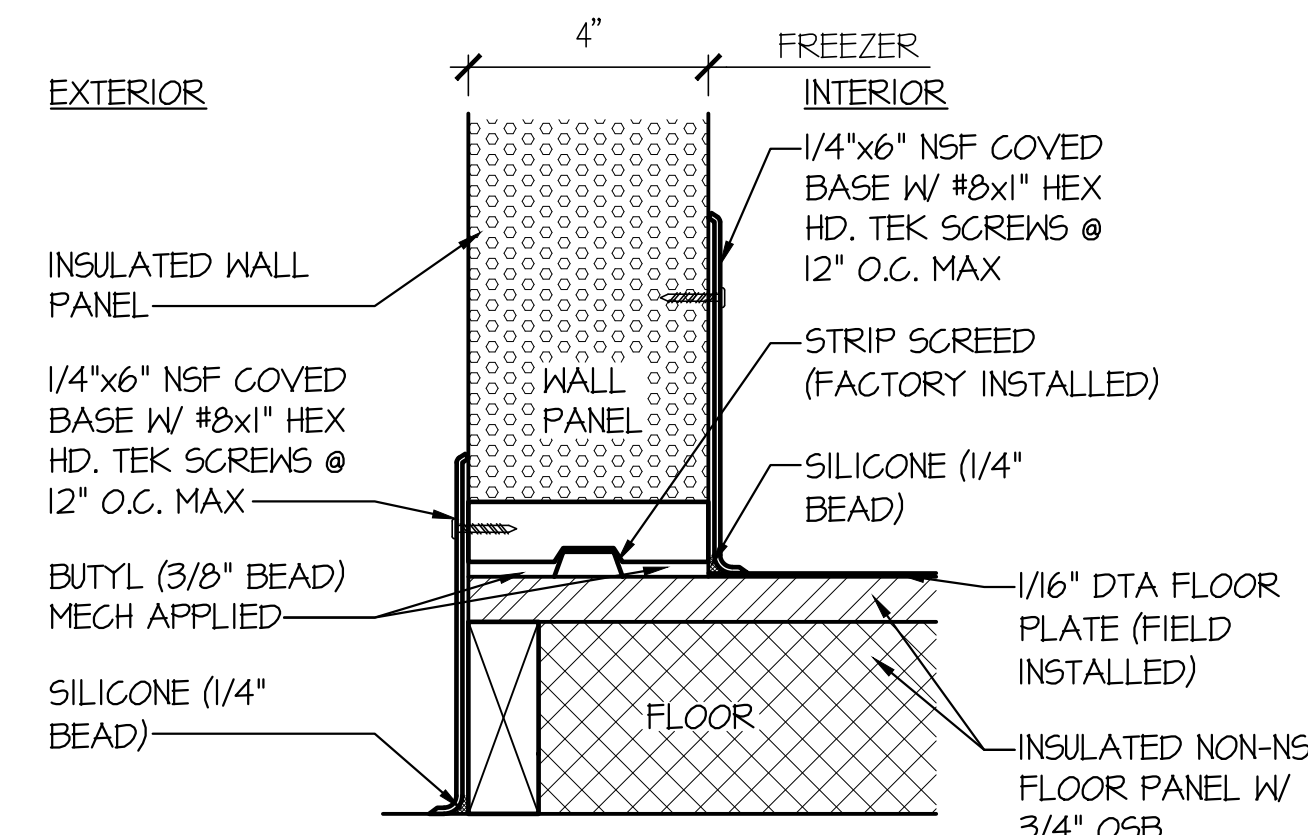
KPS GLOBAL PREFABRICATION
WALK-IN FREEZER/COOLER UNIT



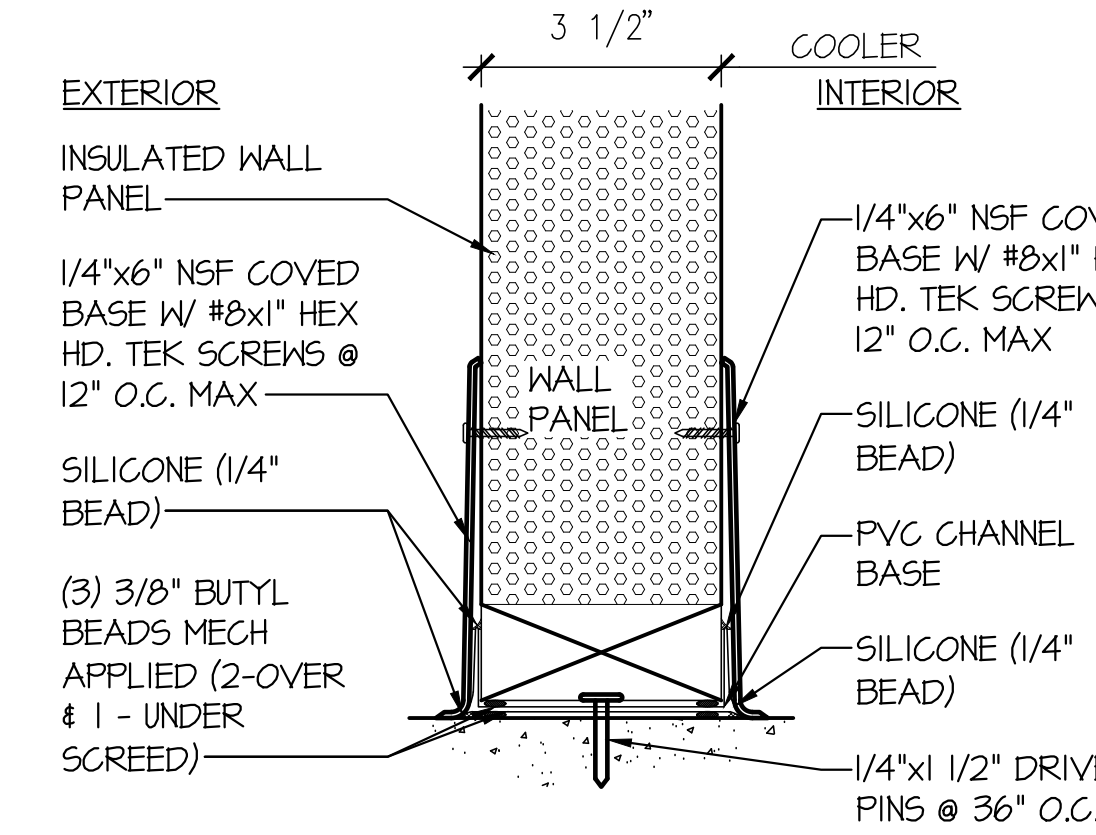
DETAIL 1
WALK-IN FREEZER/COOLER



DETAIL 2
WALK-IN FREEZER/COOLER



DETAIL 3
WALK-IN FREEZER/COOLER



DETAIL 4
WALK-IN FREEZER/COOLER

GENERAL NOTES:

- ALL WALK-INS ARE DESIGNED FOR INDOOR APPLICATION UNLESS NOTED OTHERWISE.
- PENETRATIONS AND SEALING OF PENETRATIONS - ARE THE RESPONSIBILITY OTHERS.
- PROVIDE 6" MINIMUM CLEARANCE AROUND WALK-IN WITH A MINIMUM AIR CIRCULATION OF 5 CFM FOR EVERY 100 SF OF PANEL SURFACE.
- PANEL LAYOUT MAY CHANGE BASED ON OPTIMAL MANUFACTURING STANDARDS. WALK-IN TOP IS NOT DESIGNED FOR STORAGE UNLESS NOTED OTHERWISE - TOPS ARE DESIGNED FOR 10 PSF UNIFORMLY DISTRIBUTED.
- QUARRY TILE OR CONCRETE FLOOR APPLICATIONS; METAL PANEL FACING MAY BE SUSCEPTIBLE TO STAINING DUE TO EXCESSIVE MOISTURE CREATED BY THE HYDRATION OF CONCRETE TYPE MATERIALS. IT IS ABSOLUTELY NECESSARY THAT EACH ROOM BE PROPERLY VENTILATED. SPECIAL PRECAUTIONS MUST ALSO BE TAKEN WHEN USING MURIATIC ACID DUE TO EFFECTS HYDROCHLORIC FUMES HAVE ON METAL MATERIALS.

- IF CONDENSING UNIT IS LOCATED IN THE INTERIOR OF BUILDING A MINIMUM OF 24" OF CLEARANCE IS REQUIRED AROUND TOP AND SIDES.
- FLOOR, CURB, AND PIT DETAILS ARE FOR GENERAL REFERENCE ONLY. THESE DRAWINGS SHOULD NOT BE USED OR INCORPORATED IN THE DESIGN OR PREPARATION OF THE INSULATED FLOOR, SUB-SLAB OR CURBS, WITHOUT HAVING THE DESIGN REVIEWED BY A QUALIFIED ENGINEER. ALL FOOTINGS, FOUNDATION WALLS AND CONCRETE WEAR SLABS ARE THE RESPONSIBILITY OF THE BUILDING ENGINEER OR ARCHITECT.
- THE FOAM PLASTIC USED IN THIS PRODUCT COMPLIES TO THE IBC SECTION 2603 AS FOLLOWS: FLAME SPREAD RATING: 15, SMOKE DEVELOPED RATING: 350 REFER TO INSTALLATION INSTRUCTIONS FOR ASSURING UNIT IS INSTALLED LEVEL AND PLUMB, DOOR OPENINGS ARE SQUARED, AND FOR LOCK-DOWN TOPS/FLOORS PANEL ASSEMBLY DIRECTIONS.
- ANY UNITS RUNNING AT 32 DEG. AND BELOW REQUIRE BUTYL AT ALL JOINTS - TOPS TO TOPS; WALLS TO WALLS; FLOORS TO FLOORS; WALLS TO TOPS; WALLS TO FLOORS - AS PANELS ARE ASSEMBLED. BUTYL MUST NOT BE EXPOSED.

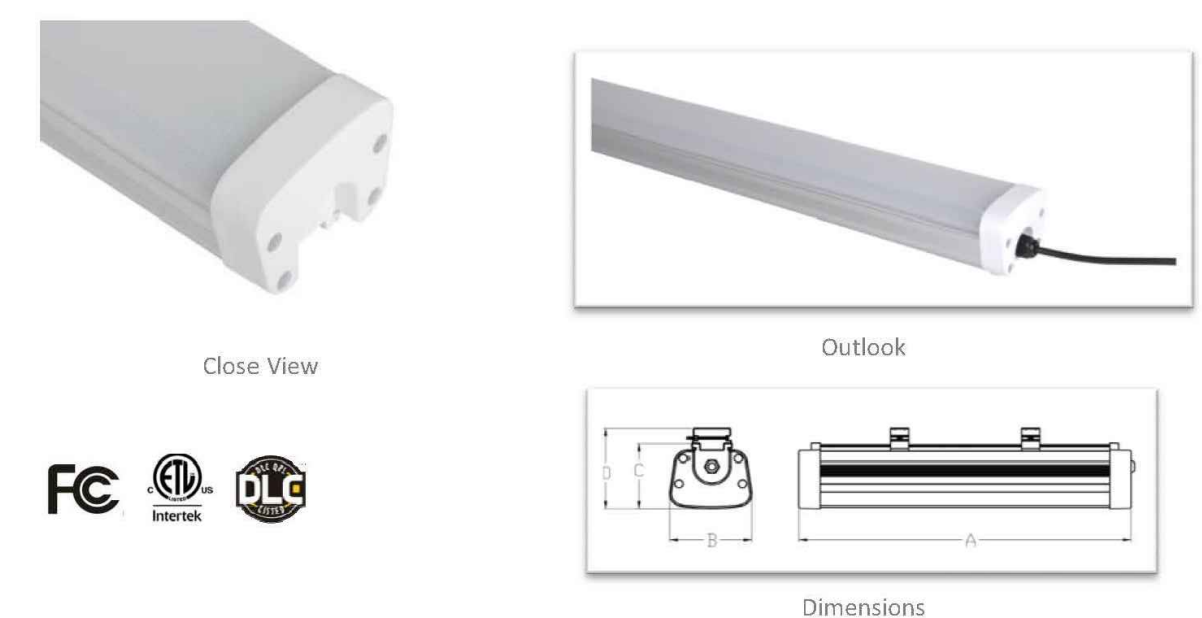
Guangzhou LEDIA Lighting Technology Co., Ltd.
Tel: +86 (20) 3770 6055 E-mail: sales@ledialighting.com
Factory address: No.1 Xian Ke 1st road, Huangdong Town, Huadu Dist., Guangzhou, China
www.ledialighting.com

Specification

LED Vapor Tight Light

Item No.	LD-TL-B024
	LD-TL-B030
	LD-TL-B040
	LD-TL-B050
	LD-TL-B060

- NOTES:
- This specification for our regular product specifications.
 - The right of final interpretation of this specification to Guangzhou LEDIA Lighting Technology Co., Ltd.

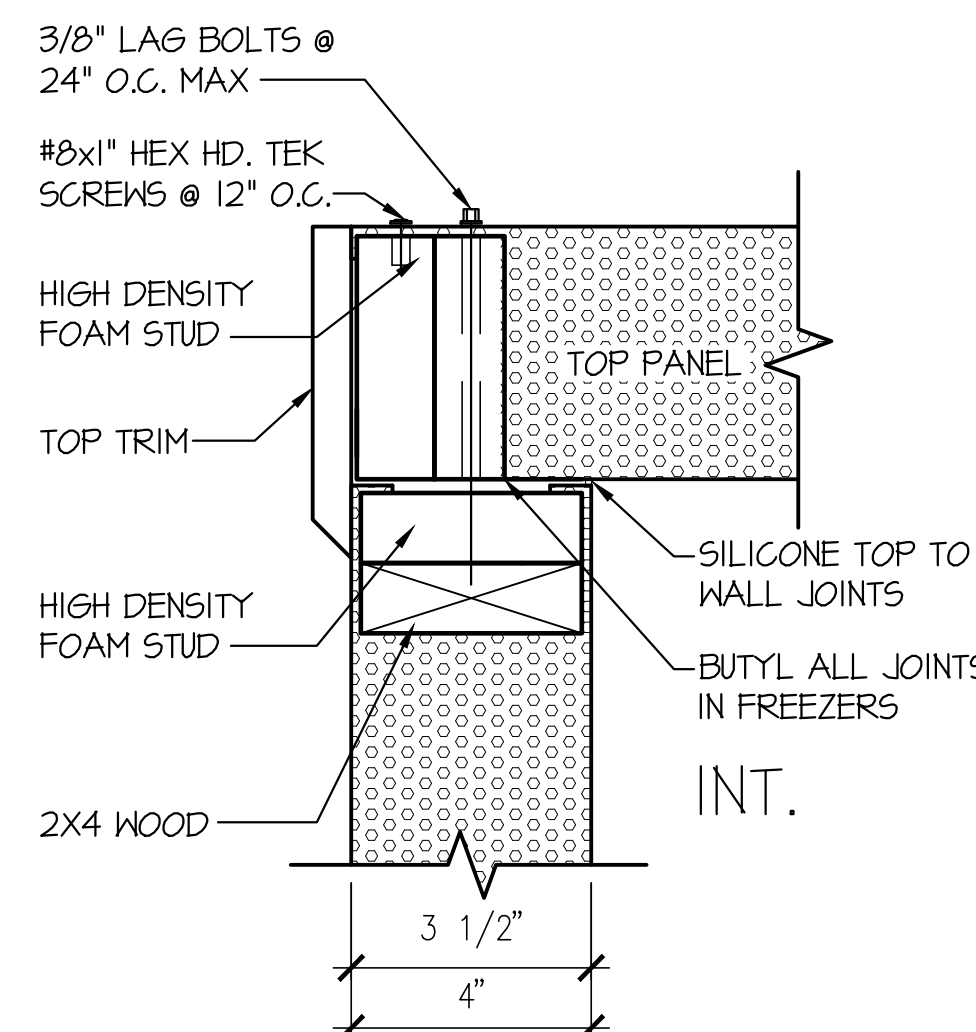


Guangzhou LEDIA Lighting Technology Co., Ltd.
Tel: +86 (20) 3770 6055 E-mail: sales@ledialighting.com
Factory address: No.1 Xian Ke 1st road, Huangdong Town, Huadu Dist., Guangzhou, China
www.ledialighting.com

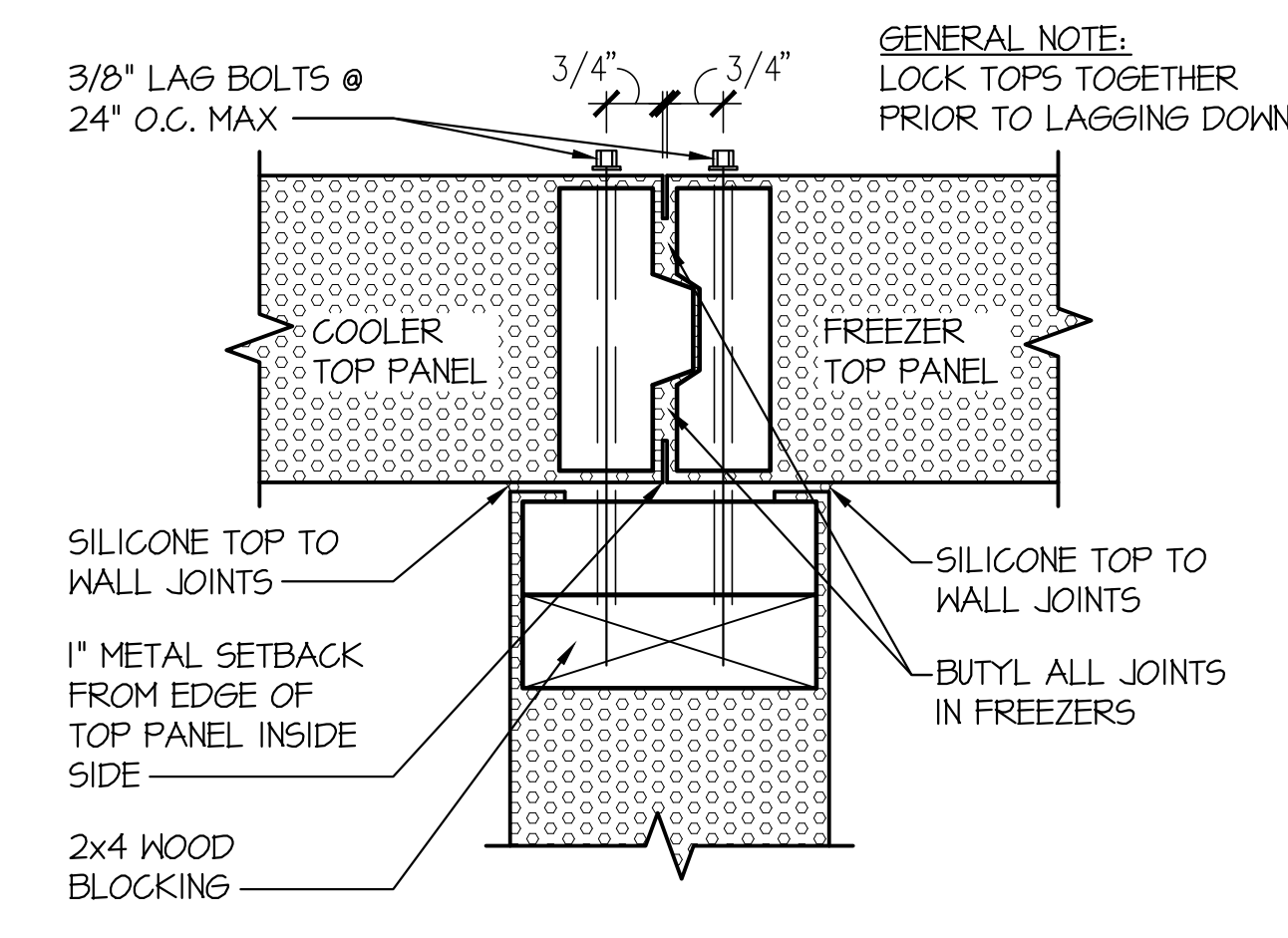
PRODUCT DESCRIPTION	FEATURES	COMPONENTS	DIMMING
<ul style="list-style-type: none"> LED Tri-proof light or LED Tight Vapor Light Even light distribution, no glare Waterproof, dustproof and corrosion proof, can be applied in tough industrial environment that is corrosive, dusty, damp or noisy Perfect to apply in supermarkets, warehouses, parking lots, bus stops, power plants, steel plants, petroleum plants, ship yards, subways, etc. 	<ul style="list-style-type: none"> 120° wide beam angle High efficacy Frosted cover: 120lm/W Clear cover: 115lm/W IP65 High lumen maintenance: 80% @ 50,000 hours Aluminum main parts, good for heat dissipation Flexible installation: suspended or surface mounted 	<ul style="list-style-type: none"> LEDs: SMD2835(MB5) 6063 Aluminum heat sink, housing and side caps Polycarbonate cover (Frosted/Clear) Flaming coating of polycarbonate cover: UL94V-0 Internal isolated driver 	<ul style="list-style-type: none"> Protocol of PWM 0-10V dimming (optional)

Spec	LD-TL-B024-9W/9W	LD-TL-B030-15W/15W	LD-TL-B040-24W/24W	LD-TL-B050-30W/30W	LD-TL-B060-36W/36W
General performance					
Lumen	2400/2760	3000/3450	6000/6800	5000/5750	6000/6900
Output(W)/Frosted/Clear			6000/6800		
Efficiency (lm/W)/Frosted/Clear	100/115	100/115	100/115	100/115	100/115
Color Temperature CCT	2700K/3000K/4000K/5000K/6000K				
Lumen Maintenance (L70)	≥50,000 hours				
Color Rendering Index (CRI)	≥90				
Beam Angle	120°				
Power Consumption	9W	15W	24W	30W	36W
Power Factor	≥0.9				
Input Voltage (V)	100V/110V/120V/240VAC				
Product Dimension(mm)	600x60x60mm (D1) / 120x60x60mm (H)				
Net Weight/PCS	1.2	1.8	2.1	2.1	2.1
Package Dimension(mm)	712x427x267				
Qty/Carton	4PCS/CTN				
Gross Weight/Carton	14				
Material	Aluminum + Polycarbonate				
Operating Temperature	-20°C to 40°C				
Humidity	10% - 90% RH, non condensing				
Installation	1) Suspended 2) Surface mounted				

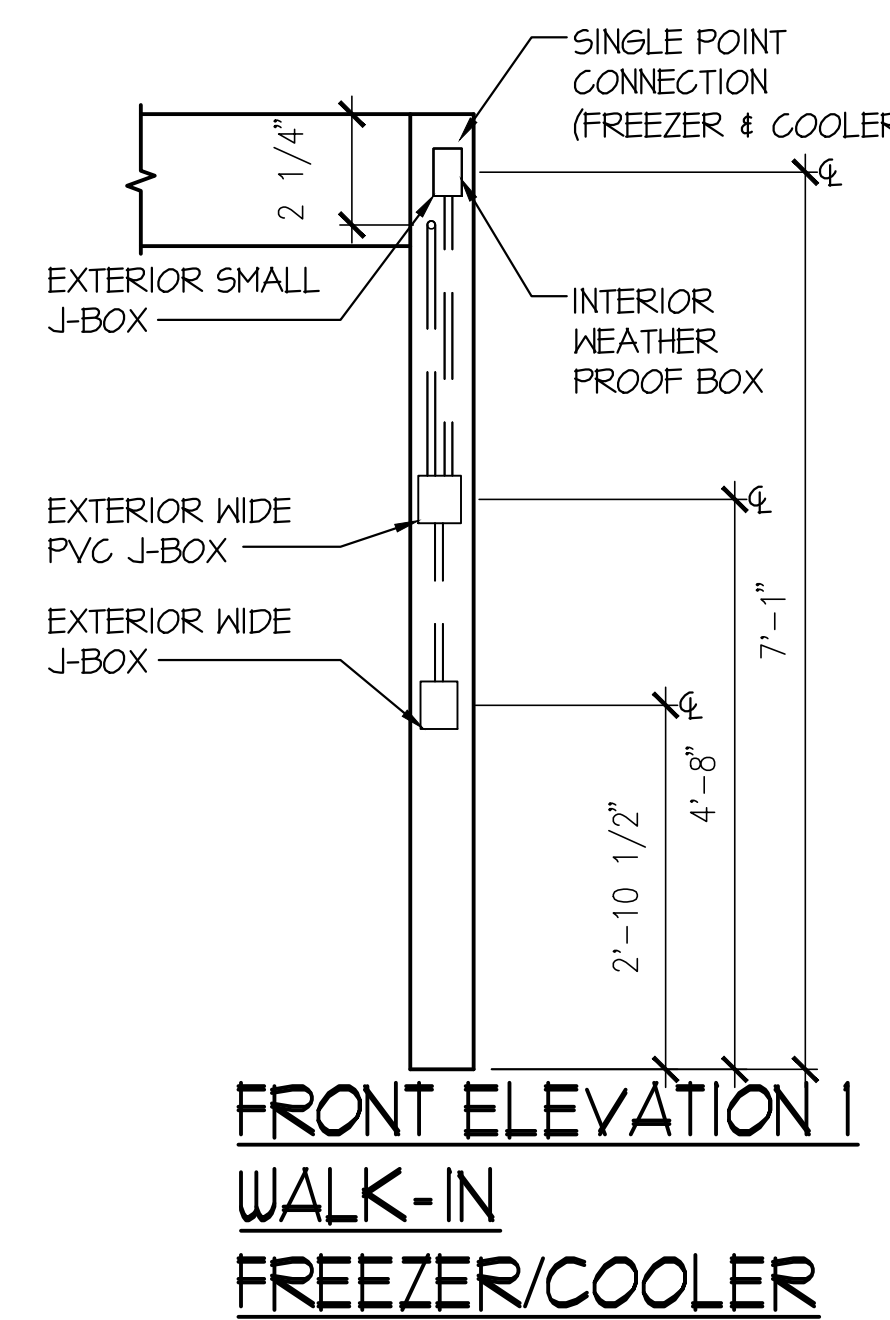
Copyright © 2015 Guangzhou LEDIA Lighting Technology Co., Ltd. All rights reserved.
Version 1.1 Issuing Date: 2015.08.31/year/month/day Page 2 of 9



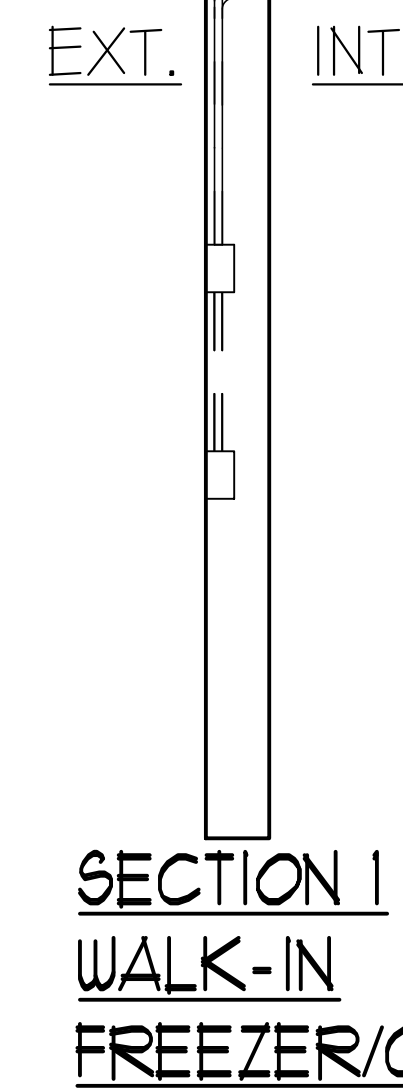
DETAIL 5
WALK-IN FREEZER/COOLER



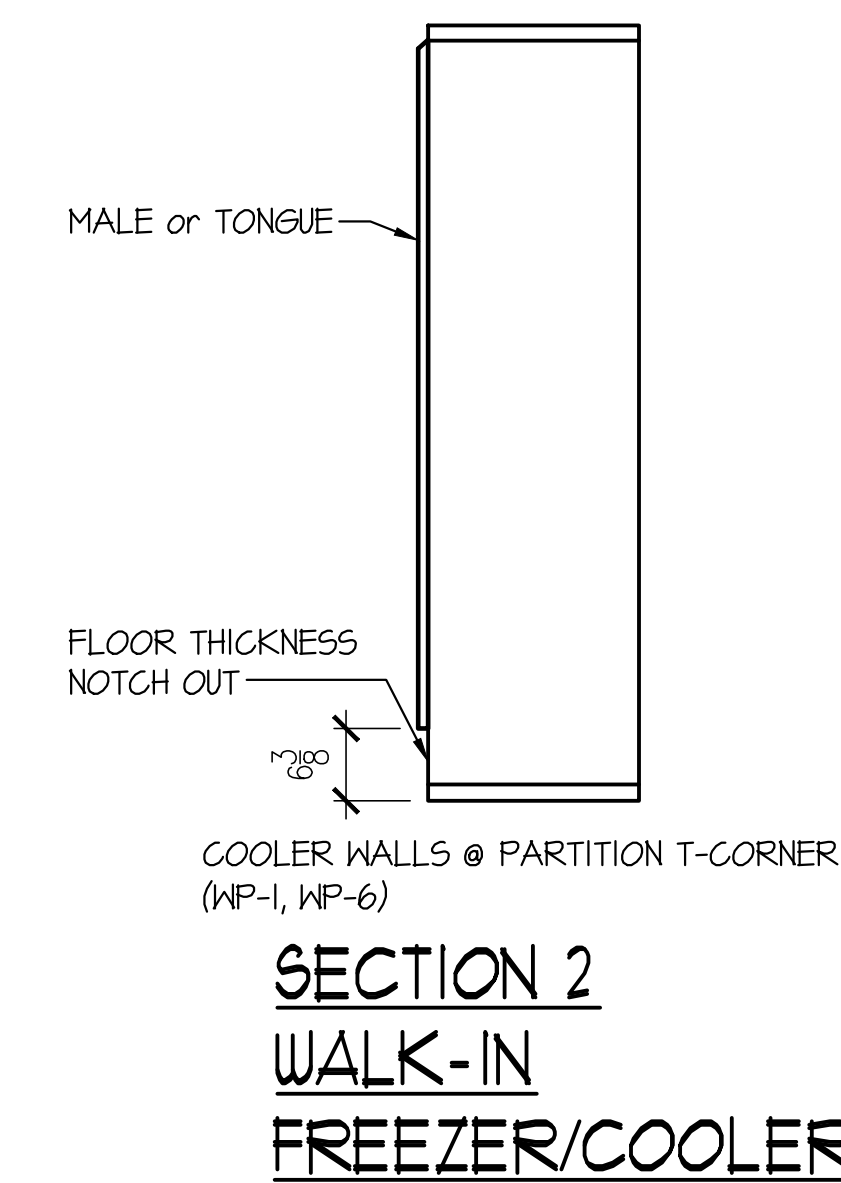
DETAIL 6
WALK-IN FREEZER/COOLER



FRONT ELEVATION 1
WALK-IN FREEZER/COOLER



SECTION 1
WALK-IN FREEZER/COOLER



SECTION 2
WALK-IN FREEZER/COOLER

CONSTRUCTION: COOLER:

WALLS:	3 1/2" FOAM-FRAME (T & G), POLYURETHANE F-I-P
TOPS:	4" FOAM-FRAME (T & G), POLYURETHANE F-I-P

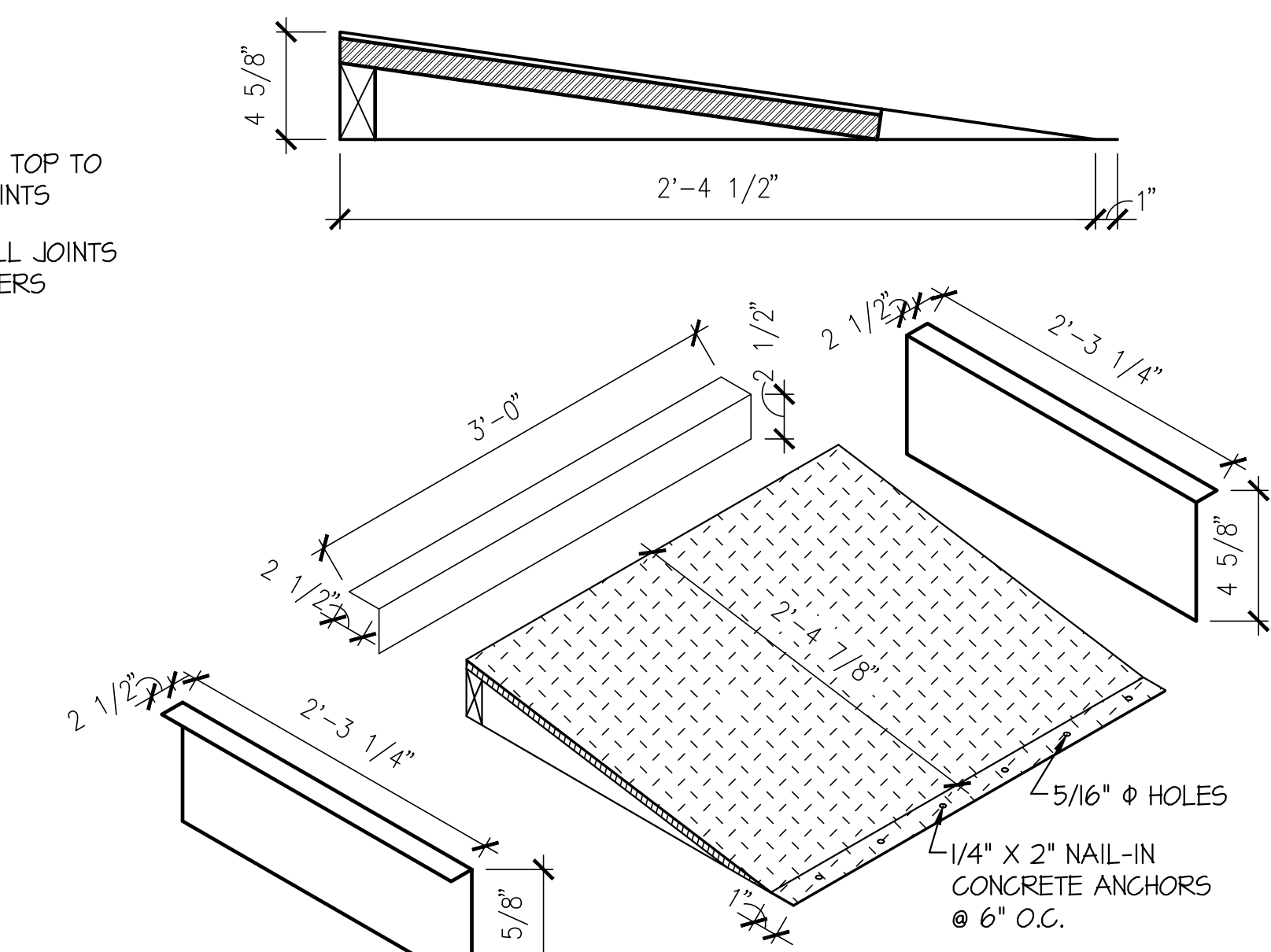
FREEZER:

WALLS:	4" FOAM-FRAME (T & G), POLYURETHANE F-I-P
TOPS:	4" FOAM-FRAME (T & G), POLYURETHANE F-I-P
FLOORS:	4" FOAM-FRAME (T & G), WITH ONE(1) LAYER OF 3/4" PLYWOOD INTERIOR FLOORS

FINISH :
266A STUCCO GALV. STEEL INTERIOR
266A STUCCO GALV. STEEL EXTERIOR
.0625 ALUMINUM DIAMOND PLATE INTERIOR FLOORS OVER 0.032 STUCCO ALUMINUM FINISH
266A STUCCO GALV. STEEL EXTERIOR FLOORS

- ACCESSORIES :
- 1 EA. - 36" X 78" HINGED, INFIT, 4"THICK, SELF CLOSING FREEZER DOOR WITH HEATED FRAME (3 SIDES) ADJUSTABLE HEATED SWEEP AND MAGNETIC GASKET (266A STUCCO GALV. STEEL INT. & EXT, K-TT W4891 2-K1261, AND I-K1094) #10 GA. GALV. JAMB (4") - NEW STYLE
 - 1 EA. - 36" X 78" HINGED, INFIT, 4"THICK, SELF CLOSING COOLER DOOR WITH MAGNETIC GASKET AND ADJUSTABLE SWEEP (266A STUCCO GALV. STEEL INT. & EXT, K-TT W4891, 2-K1261, AND I-K1094) #10 GA. GALV. JAMB (3 1/2") - NEW STYLE
 - 2 EA. - 44" X 86" PLASTIC CURTAINS
 - 2 EA. - 48" LED LIGHT FIXTURE SUPPLIED BY ORIGIN RETAIL (MODEL #LD-TL-B040-RX-40P) (SHIP LOOSE)
 - 2 EA. - WEATHER PROOF J-BOX
 - 3 EA. - WIDE J-BOX
 - 4 EA. - SMALL 2X4 J-BOX
 - 2 EA. - WIDE PVC J-BOX (FSC#59240)
 - 1 EA. - HEATED AIR VENT (#1830)
 - 1 EA. - OPENING FOR PRO 3 UNIT (PTN042H6AE)
 - 1 EA. - OPENING FOR PRO 3 UNIT (PTN052L6BE)
 - 1 EA. - INTERIOR RAMP (24 1/2" DEEP WITH 1 3/4" EXTENDED FRONT EDGE, 125 ALUMINUM DIAMOND PLATE, .040 SMOOTH ALUMINUM)
 - 2 EA. - PRE-WIRED WEISS ALARM W/4 1/2 METER PROBE

NOTE :
LAG DOWN TOP PANELS (PRE- DRILLED LAG HOLES) PVC SCREED - COOLER
PRE-DRILLED HOLES ON FLOOR PLATING
UL STICKER (FOAM FRAME)
2-WALL CLOSE OFFS

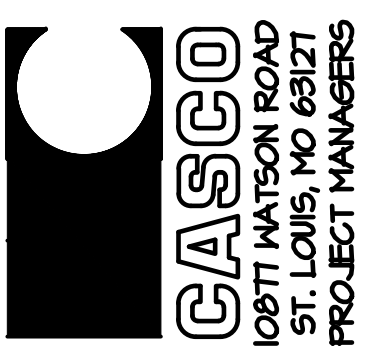


RAMP DETAIL
WALK-IN FREEZER

Q	INT. / EXT.	SIZE	FINISH	RAMP FINISH	DUE	REMARK
1	INT.	36" X 28 1/2" X 4 5/8" H.	.050 SMOOTH ALUM.	125 ALUMINUM DIAMOND PLATE		1 - 2 X 4 ADD.

- GENERAL NOTES:
- THE PROPOSED FREEZER/COOLER UNIT SIZE IS INDICATED ON FLOOR PLAN.
 - ALL WALK-IN & MERCHANDISING UNITS ARE SELF CONTAINED AND DO NOT REQUIRE A FLOOR DRAIN.
 - REFER TO SPECIFICATIONS
 - INSTALLATION OF THESE NSF, ETL & UL LISTED UNITS SHALL COMPLY WITH ALL STATE AND LOCAL CODES PER APPROVED PLANS.
 - MINIMUM DESIGN LOAD UNIFORMLY DISTRIBUTED:
TOPS (PSF): 10
WALLS (PSF): 5
FLOORS (PSF): 1000

date	project	designed	drawn	checked



FOR INFORMATION ONLY
NO SIGNATURE REQUIRED

DOLLAR TREE
ATASCOSA MARKET
2094 WEST OAKLAWN RD, SUITE 300, PLEASANTON, TX 75064
WALK-IN DETAILS AND SPECIFICATIONS

DS2

FOR REFERENCE ONLY