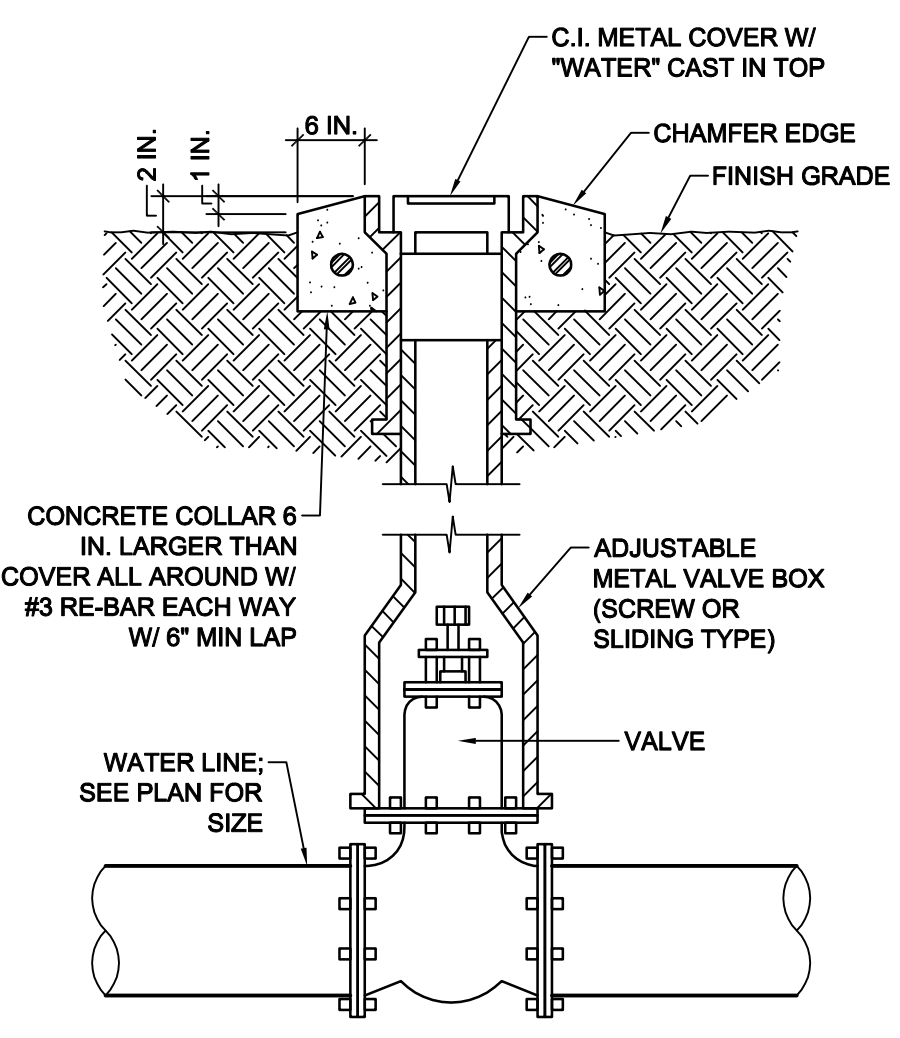
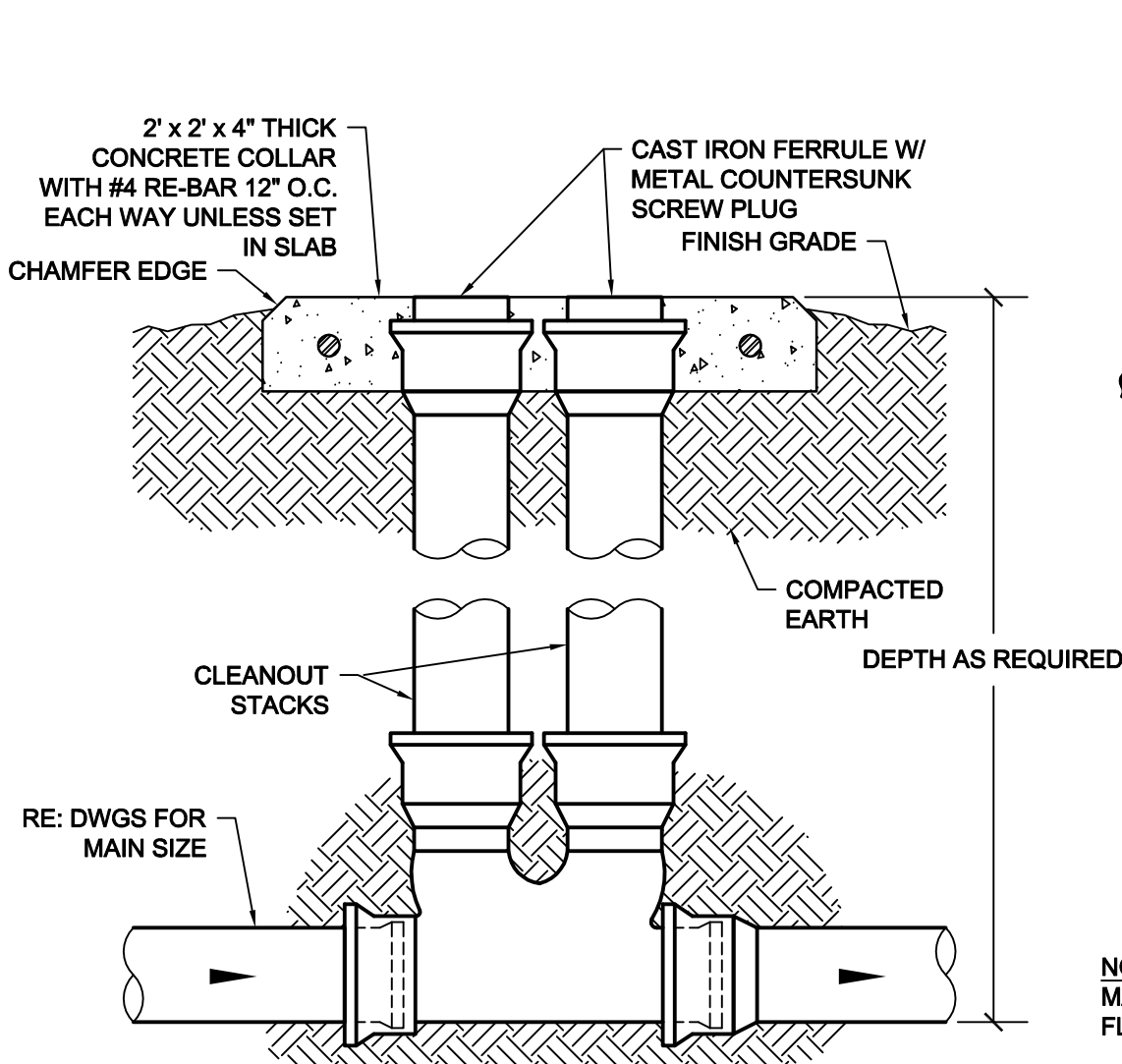


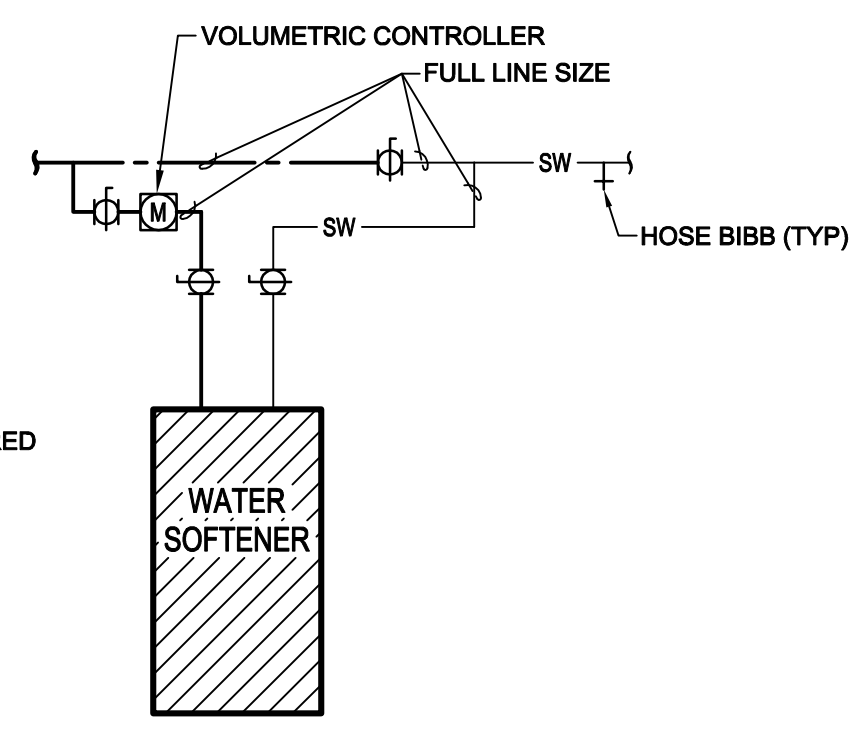
1 VENT THRU ROOF
 DETAIL (NOT TO SCALE)



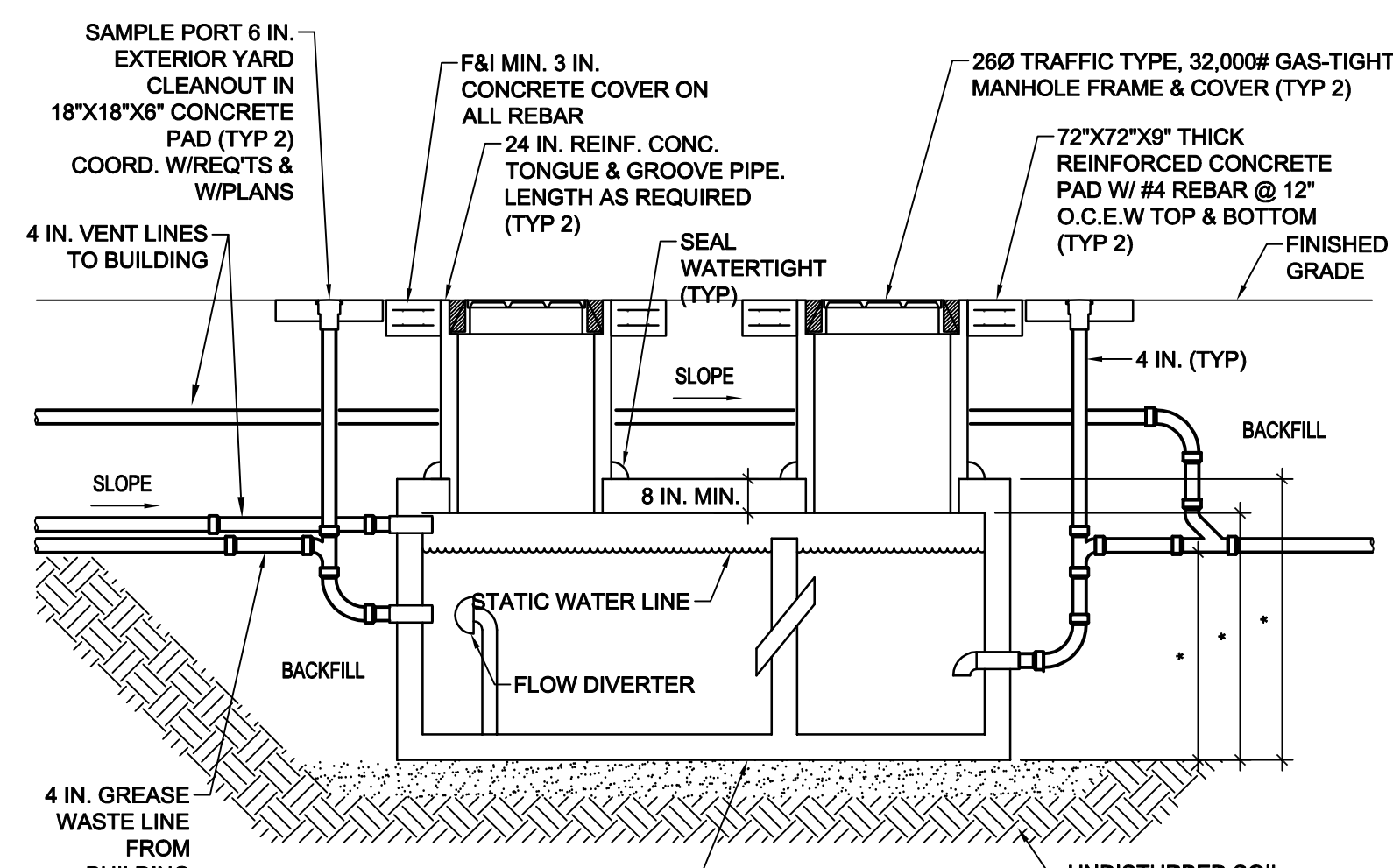
2 VALVE IN BOX
 DETAIL (NOT TO SCALE)



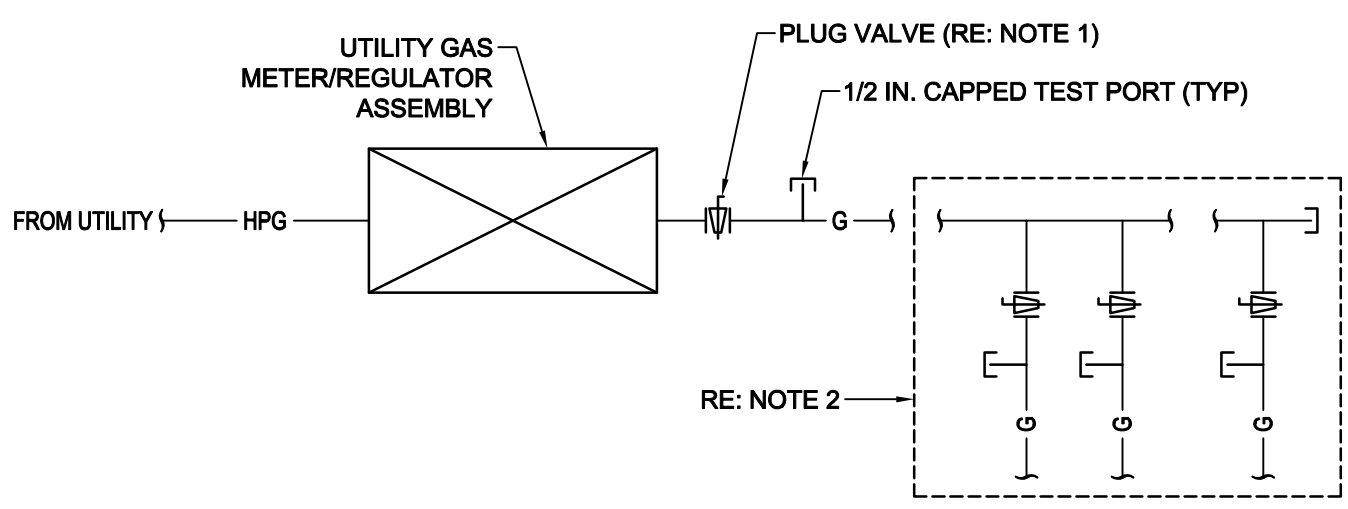
3 DOUBLE YARD CLEANOUT
 DETAIL (NOT TO SCALE)



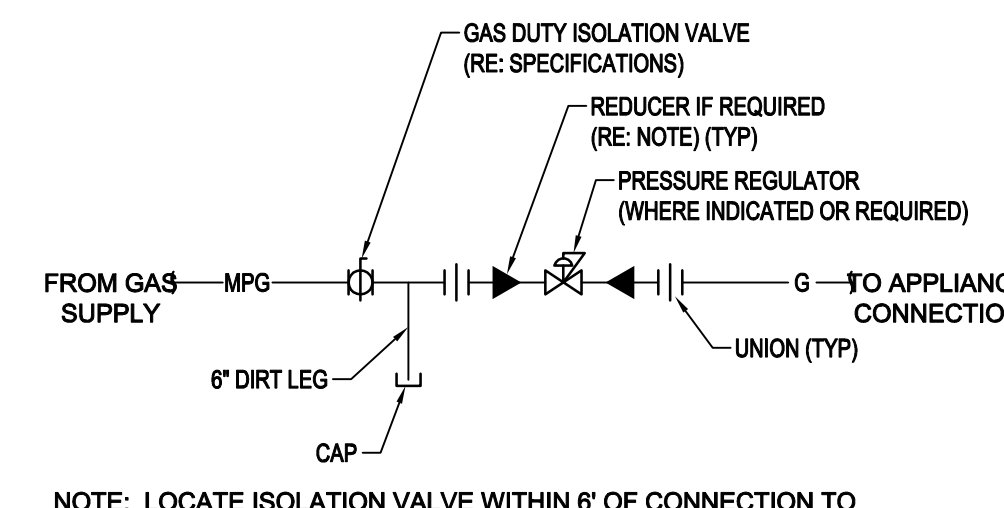
4 WATER PIPING SCHEMATIC
 DETAIL (NOT TO SCALE)



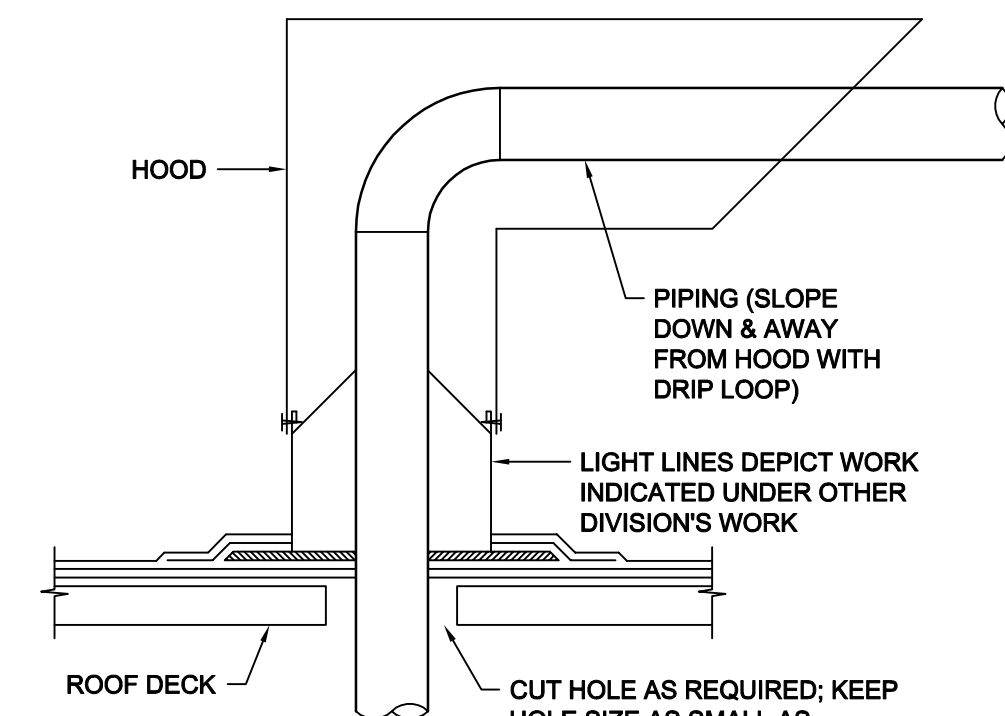
5 GREASE INTERCEPTOR
 DETAIL (NOT TO SCALE)



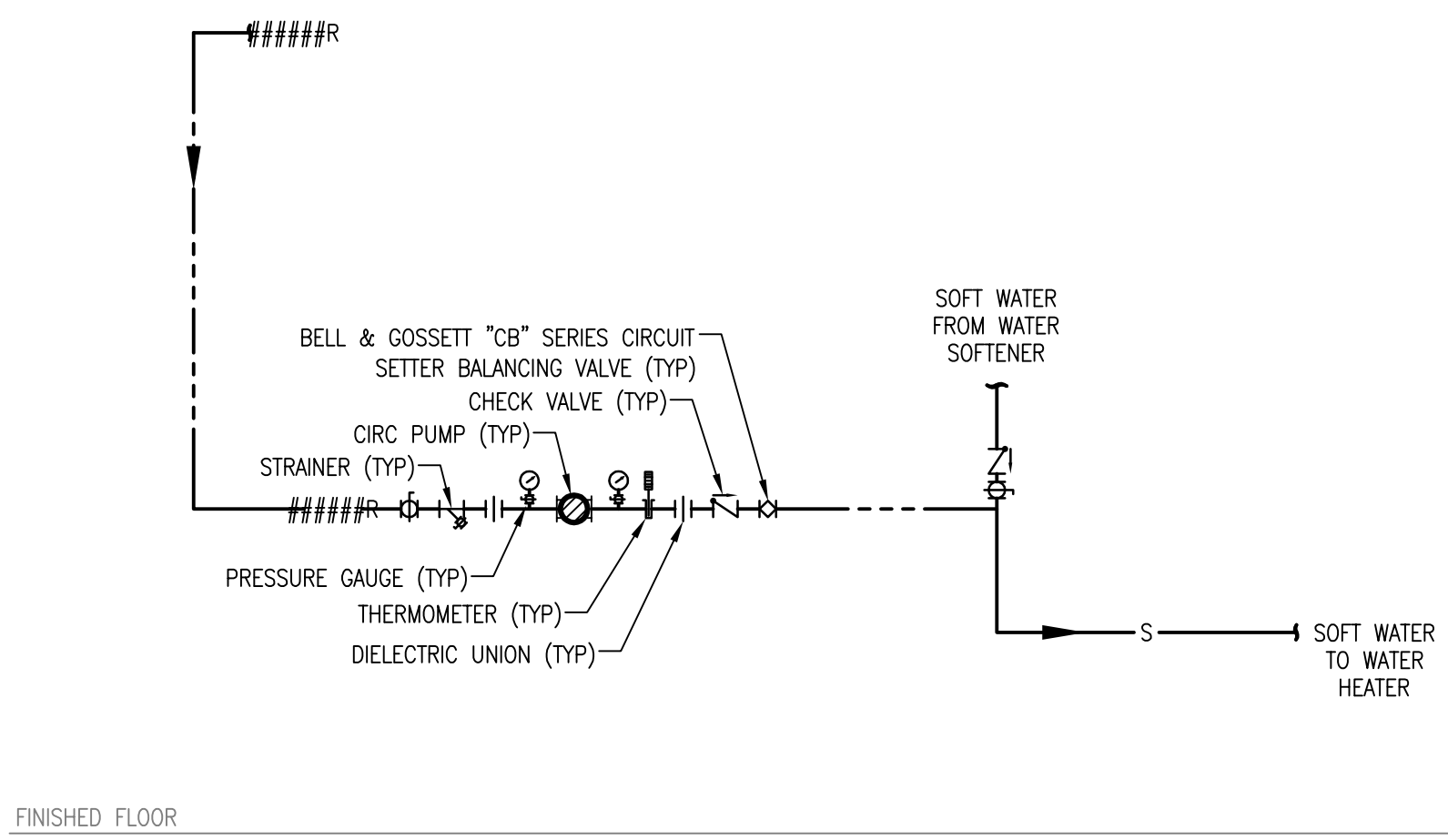
6 GAS SERVICE PIPING
 DETAIL (NOT TO SCALE)



7 GAS APPLIANCE CONNECTION
 DETAIL (NOT TO SCALE)



8 PIPE THRU ROOF BOOT
 DETAIL (NOT TO SCALE)



9 RECIRCULATING PUMP
 DETAIL (NOT TO SCALE)

TYPE Registered Engineering Firm F-342

M P ENGINEERING, INC.

1100 Columbia Blvd.
 Suite 202
 San Antonio, TX 78204
 (210) 349-4400
 (210) 349-4400

1100 Columbia Blvd.
 Suite 202
 San Antonio, TX 78204
 (210) 349-4400
 (210) 349-4400

©COPYRIGHT 2015

BUSH'S CHICKEN!
 BLANCO & BITTERS
 SAN ANTONIO, TX. 78230

Project No. 15-054
 Drawn: RJS
 Chkd: RJF
 Date: 11/20/2015
 Drawing

M4.1

Plot Time: Friday, November 20, 2015 10:34:50 AM - Plotted By: BOB SCHWARTZ
 This file block has been modified to plot correctly using an MEP plot configuration.