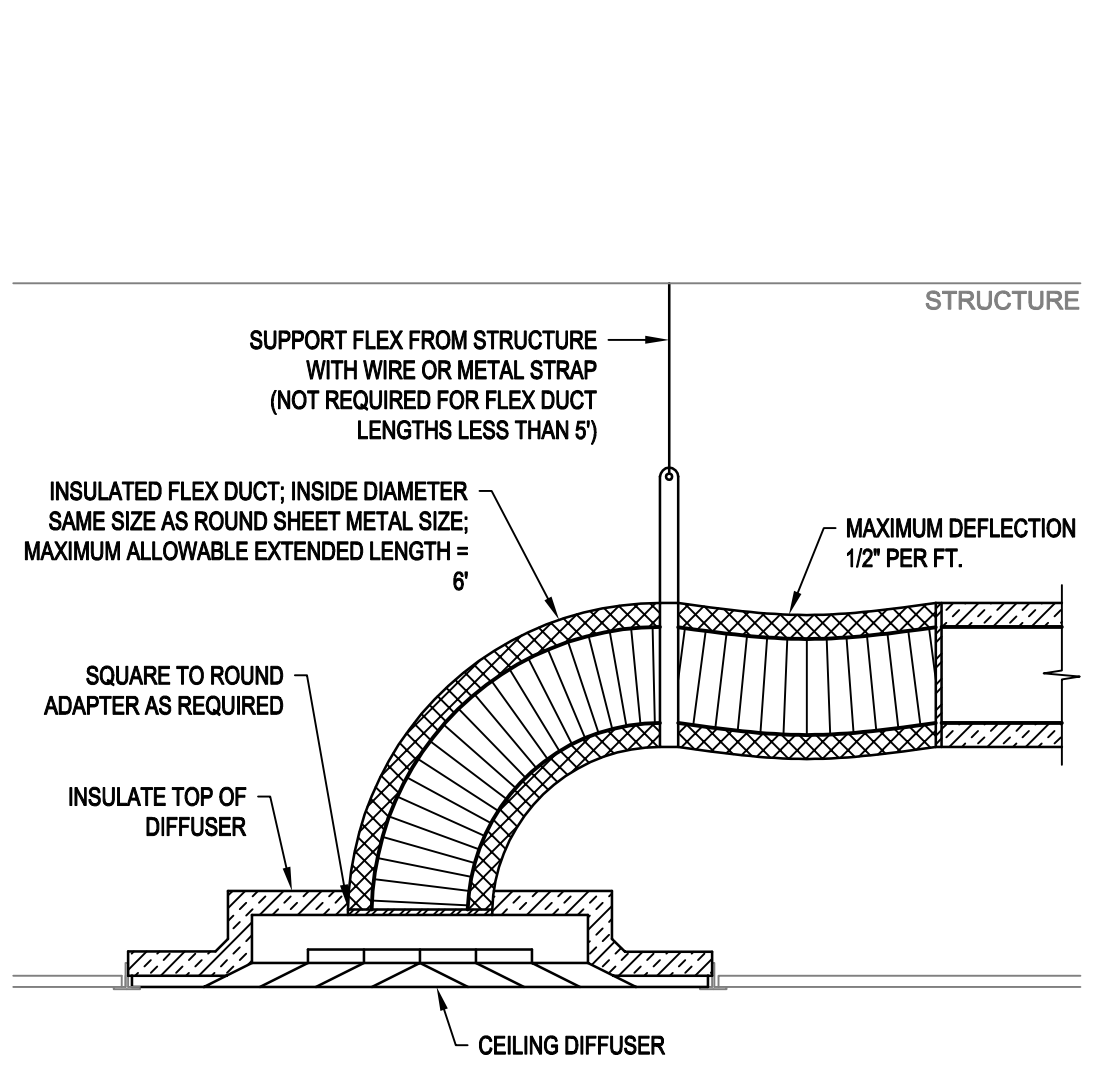
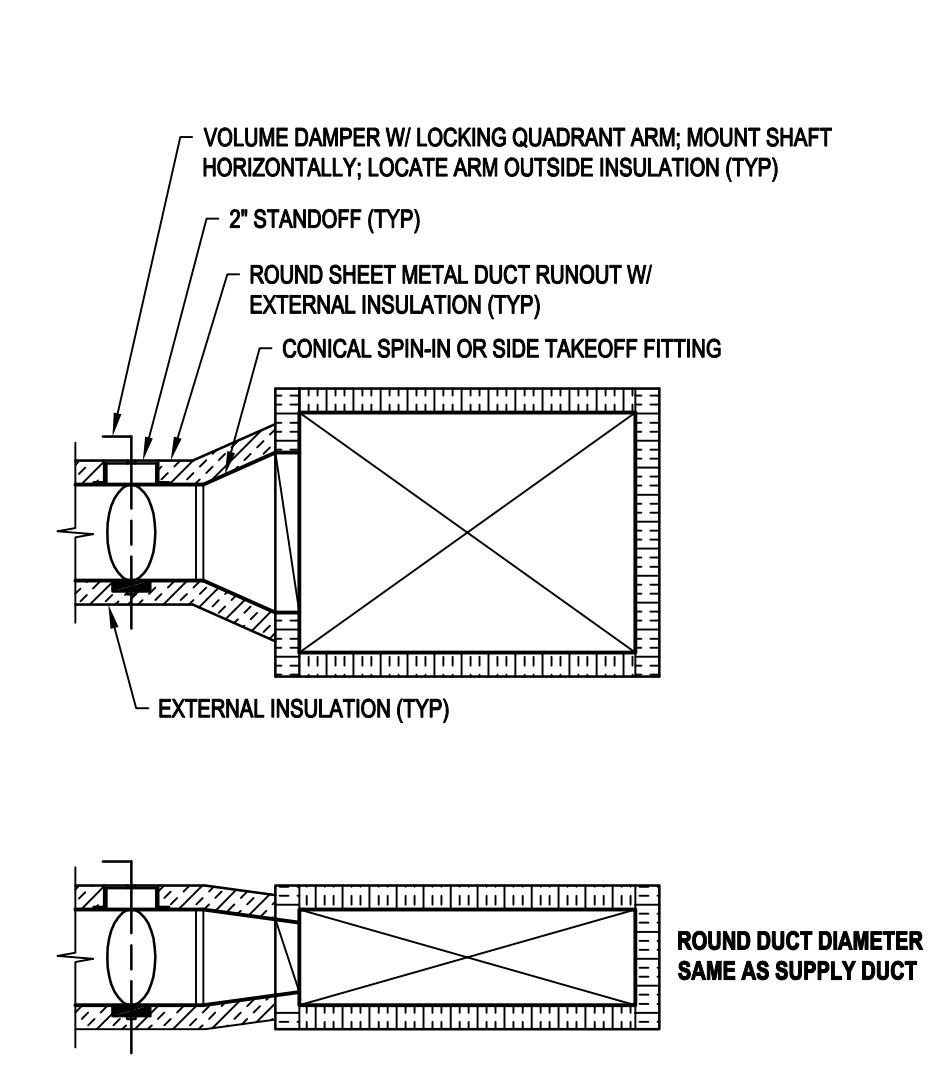


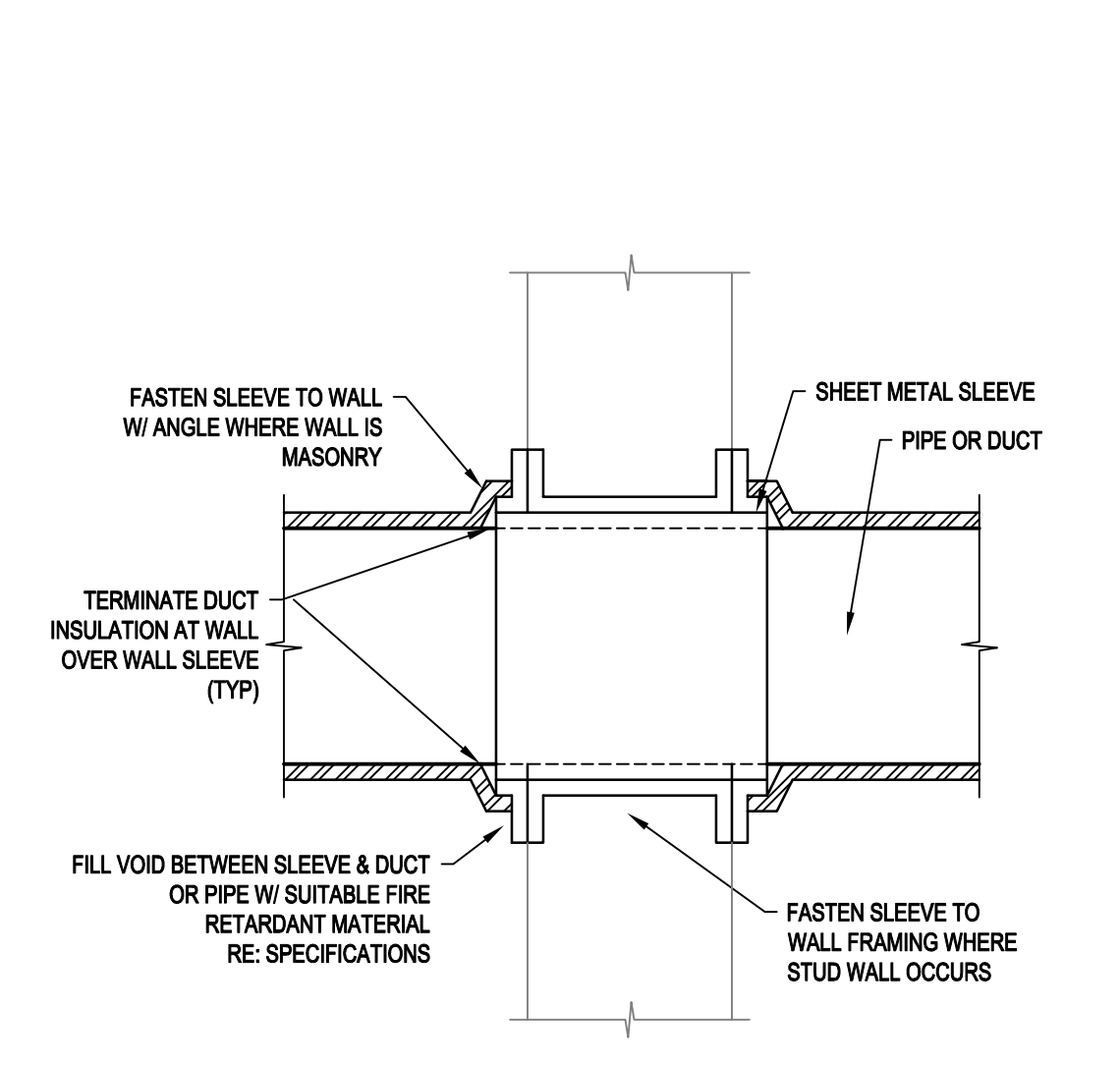
1 ROOM SENSOR OR THERMOSTAT
 DETAIL (NOT TO SCALE)



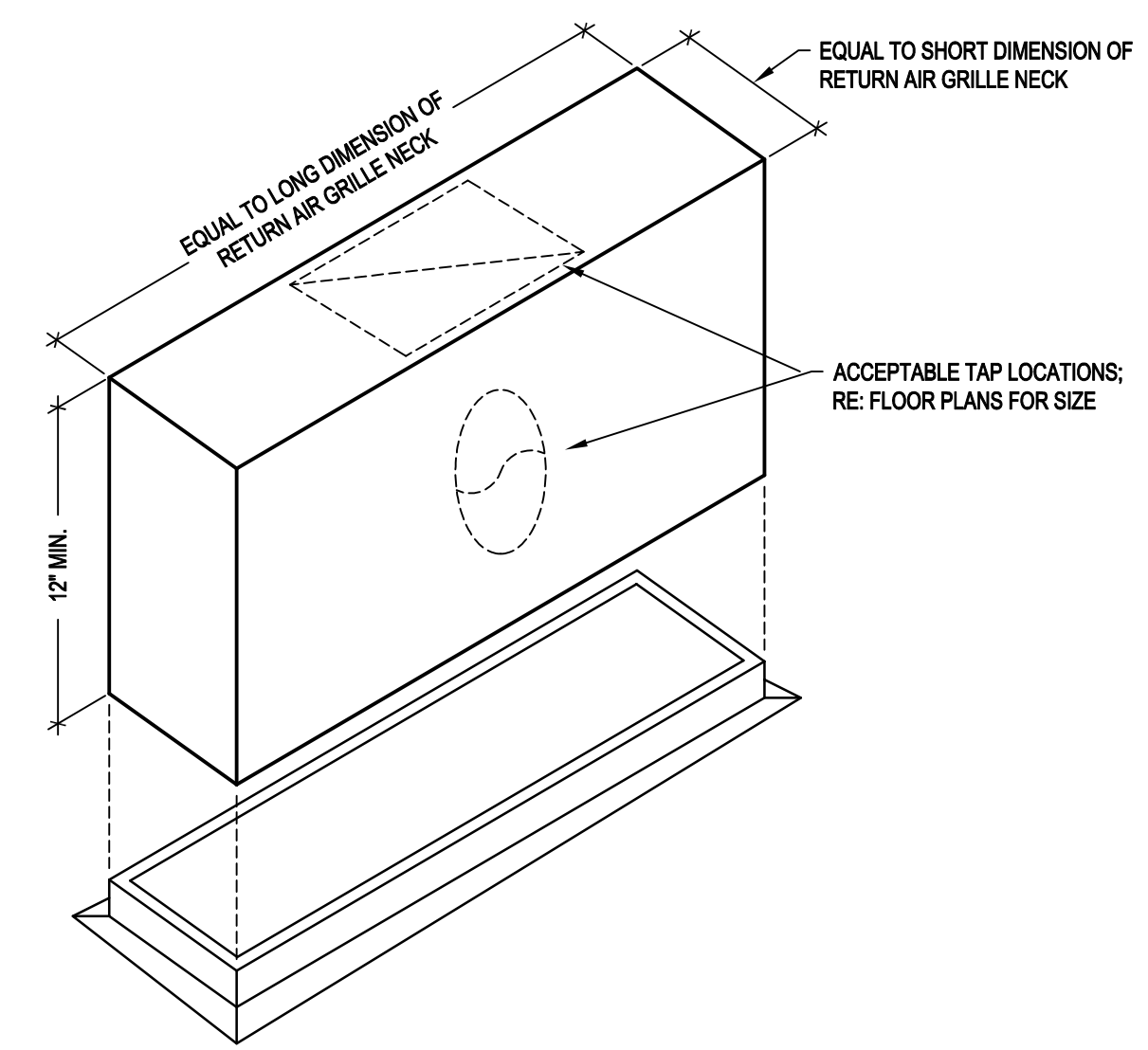
2 FLEX DUCT DIFFUSER CONNECTION
 DETAIL (NOT TO SCALE)



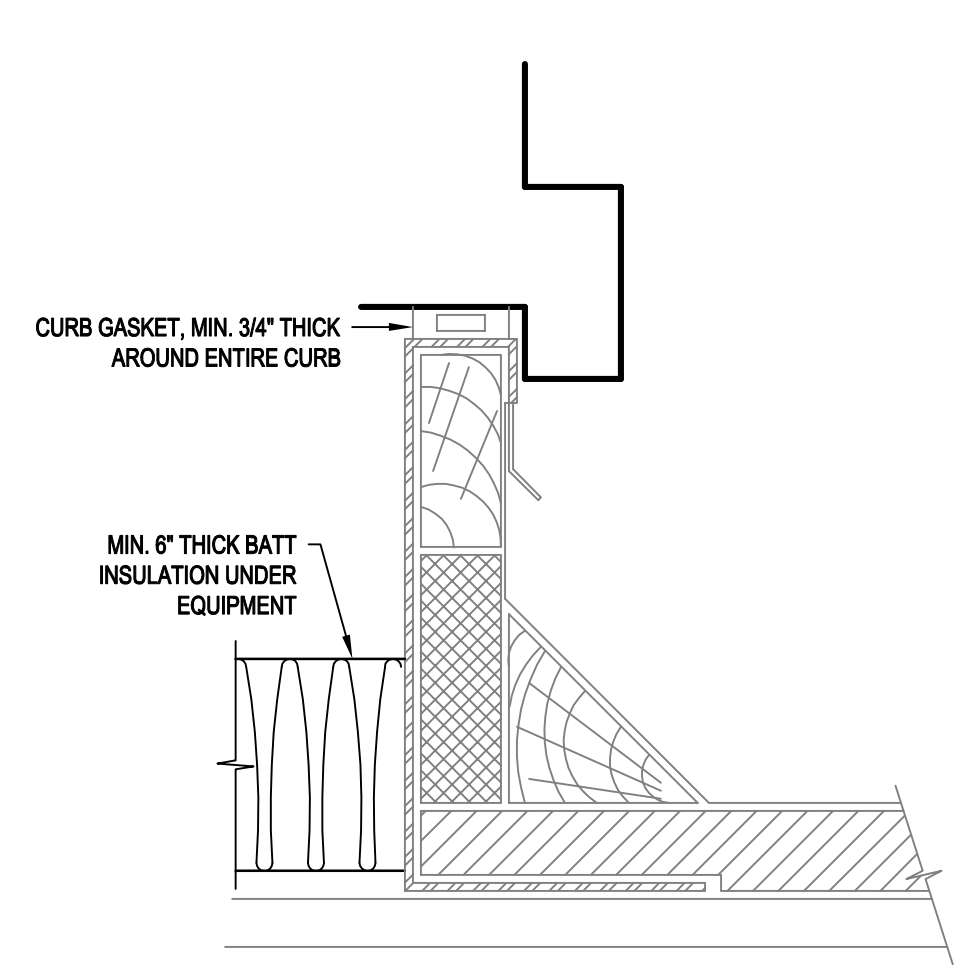
3 TAP CONNECTION
 DETAIL (NOT TO SCALE)



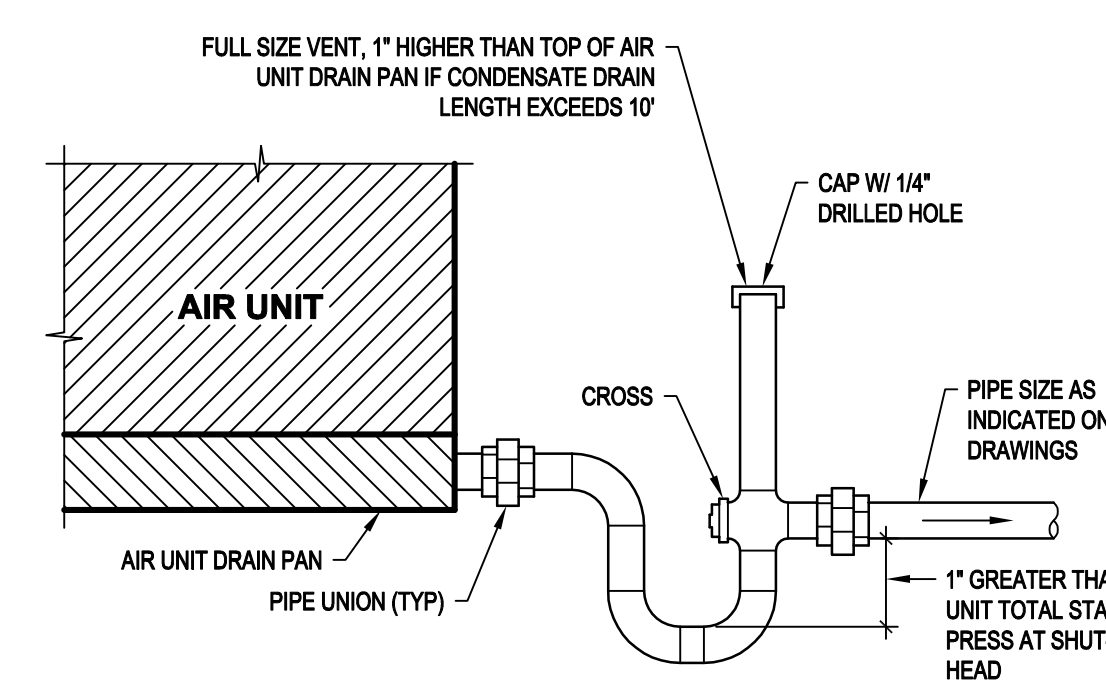
4 PIPE OR DUCT WALL PENETRATION
 DETAIL (NOT TO SCALE)



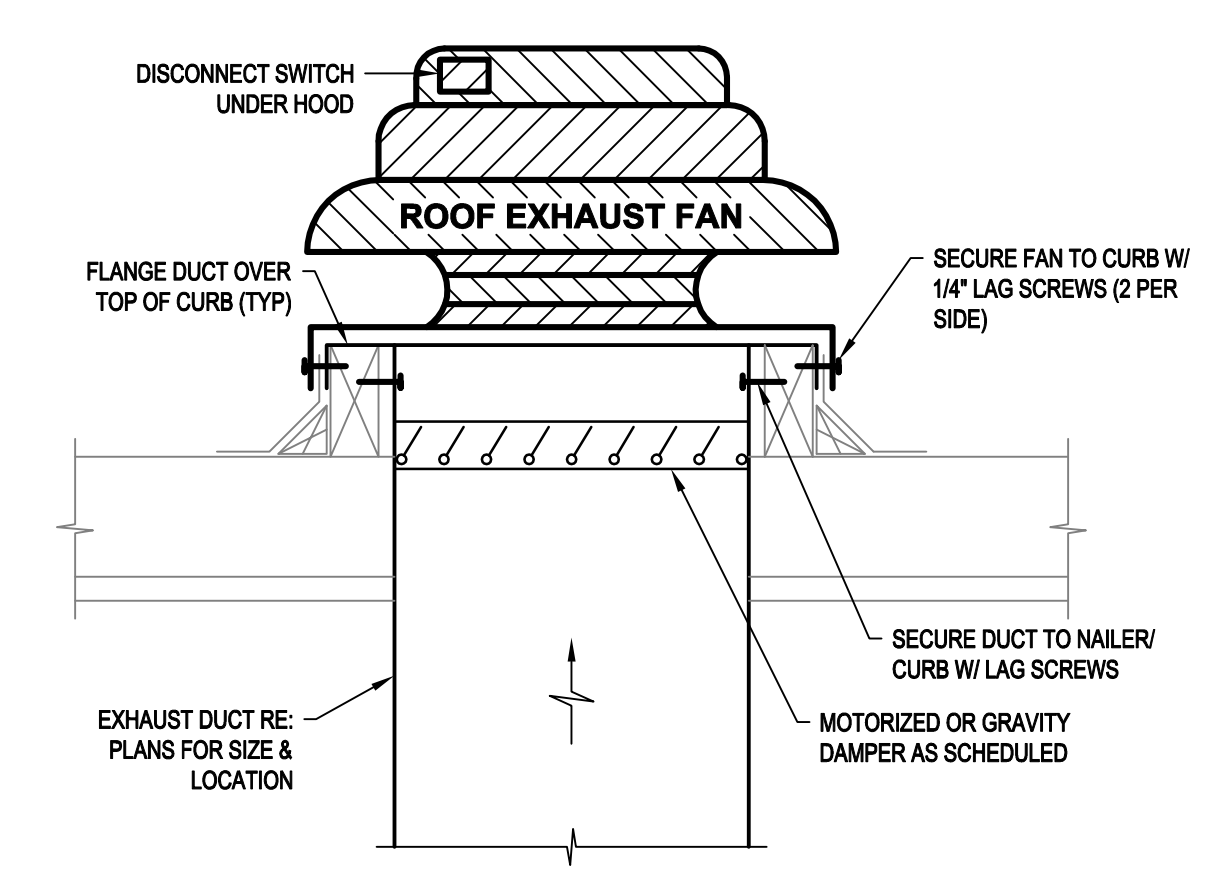
5 RETURN AIR GRILLE PLENUM
 DETAIL (NOT TO SCALE)



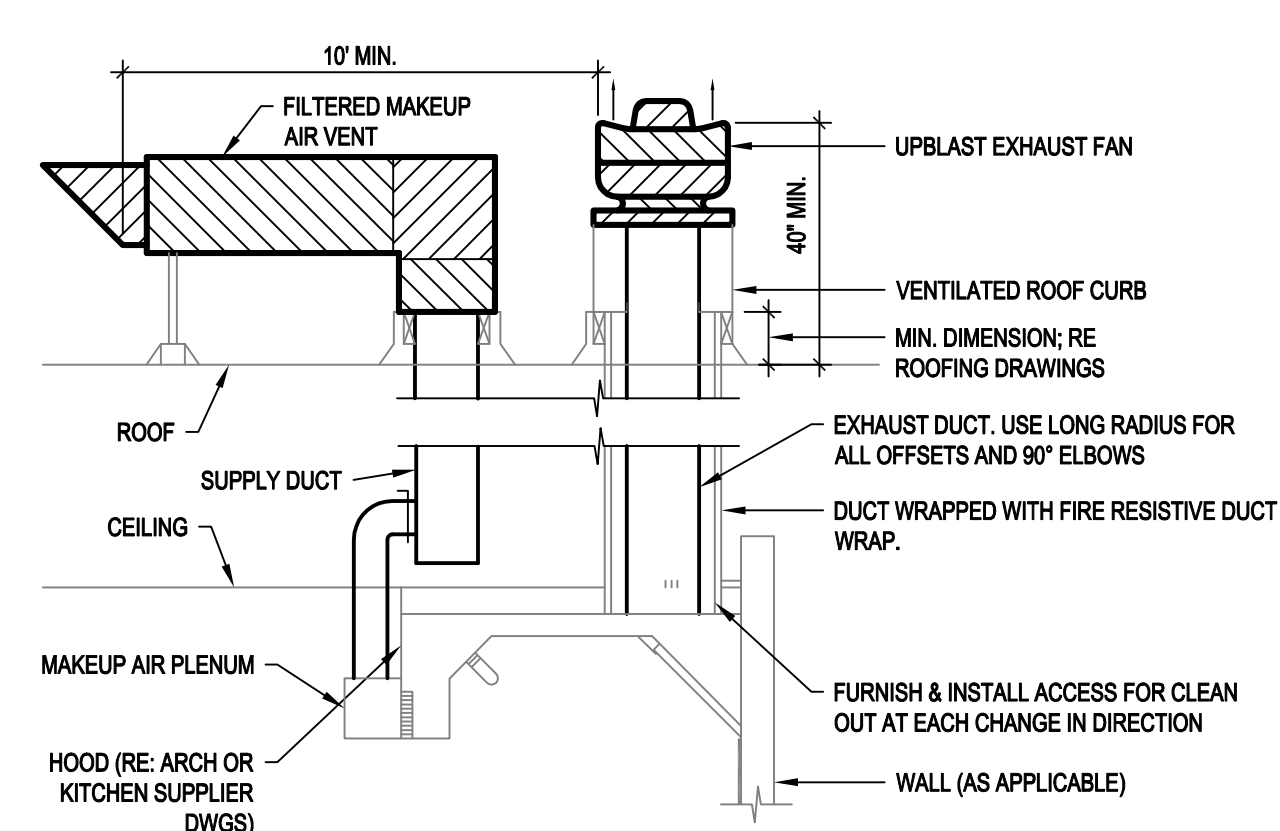
6 ROOF CURB
 DETAIL (NOT TO SCALE)



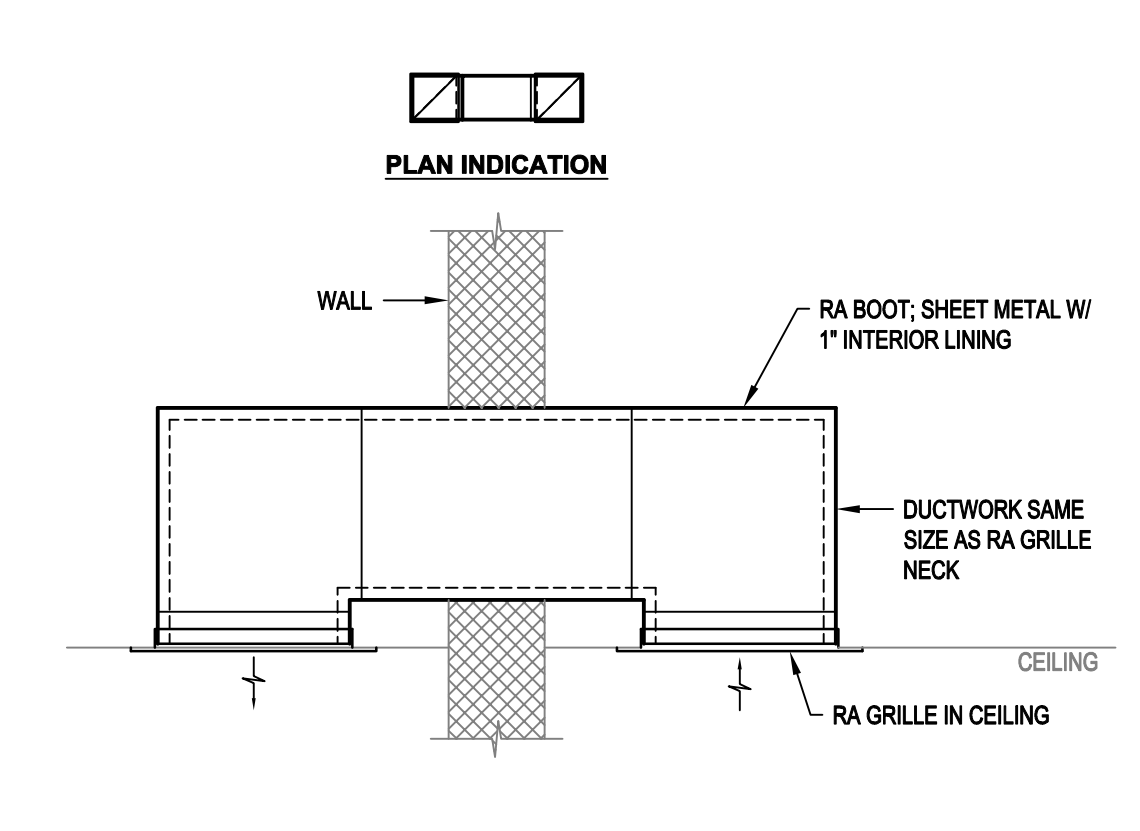
7 CONDENSATE DRAIN
 DETAIL (NOT TO SCALE)



8 ROOF MOUNTED EXHAUST FAN
 DETAIL (NOT TO SCALE)



9 KITCHEN HOOD
 DETAIL (NOT TO SCALE)



10 RETURN AIR TRANSFER
 DETAIL (NOT TO SCALE)

TYPE Registered Engineering Firm F-342
M P ENGINEERING, INC.
 1100 Columbia Blvd.
 Suite 202
 San Antonio, TX 78203
 (210) 349-4200
 (210) 349-4200
 ©COPYRIGHT 2015

BUSH'S CHICKEN!
 BLANCO & BITTERS
 SAN ANTONIO, TX. 78230

Project No. 15-054
 Drawn: RJS
 Chkd: RJF
 Date: 11/20/2015
 Drawing

M4.0

Plot Time: Friday, November 20, 2015 10:34:08 AM - Plotted By: BOB SCHROEDER
 This file block has been modified to plot correctly using an MEP plot configuration.

25534.mcd1.dwg