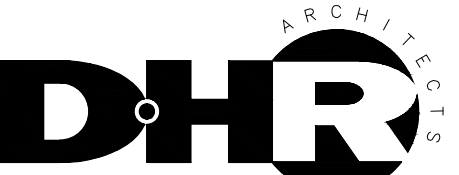


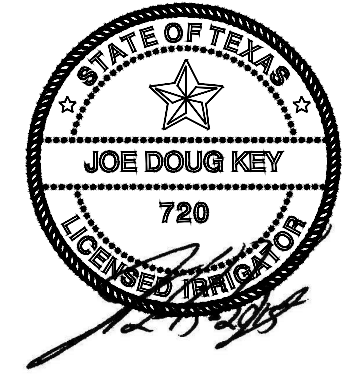
Scale: 1" = 20'-0"
0 10' 20' 40'

DATE
12/15/2015

HORIZON
DESIGN AND DEVELOPMENT
PLANNING LANDSCAPE ARCHITECTURE
DEVELOPMENT CONSULTING
1370 Pantheon Way, Suite 210
San Antonio, Texas 78232
210.831.8564 jrobinson@horizondesign-sa.com



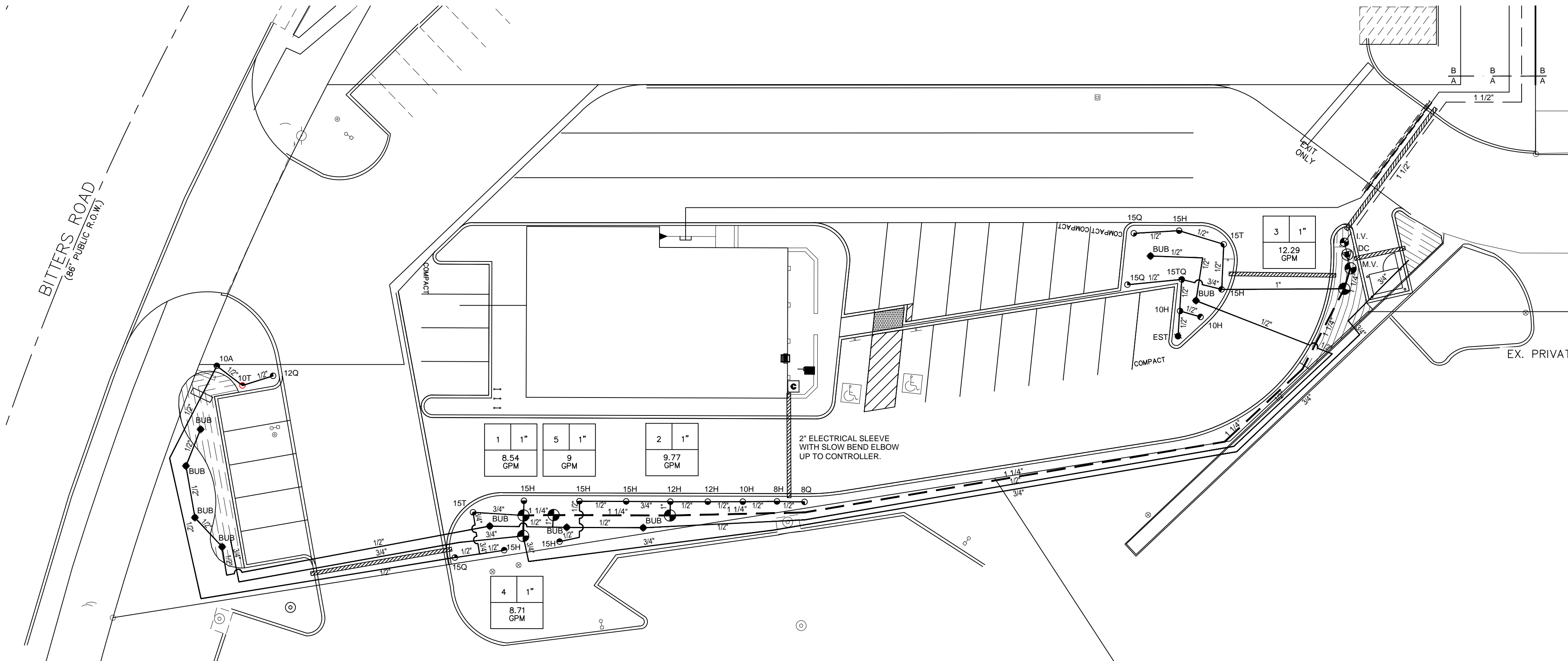
DURAND-HOLLIS RUPE
ARCHITECTS, INC.
14603 HUEBNER RD.
BUILDING 18
SAN ANTONIO
TEXAS 78230
PHONE: 210 308-0080
FAX: 210 697-3309
eMAIL: office@dhrarchitects.com



IrrigationDesignService.Com
1209 OAK SHADOWS CIRCLE AUSTIN, TEXAS 78758 (512)783-6688

REVISED ISSUE DATES:

1
2
3
4

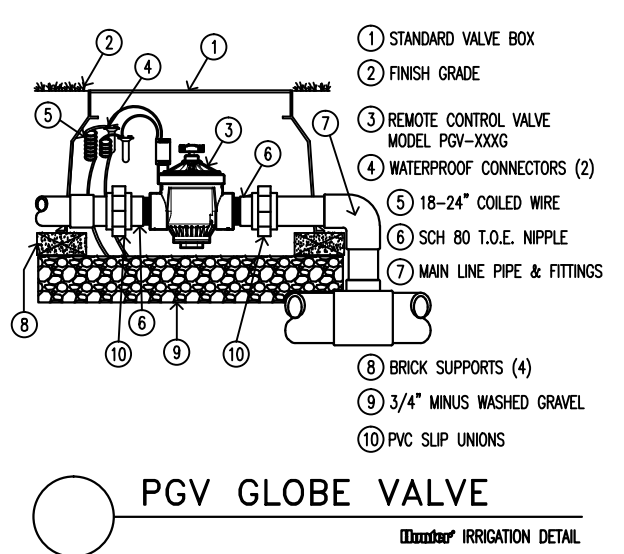
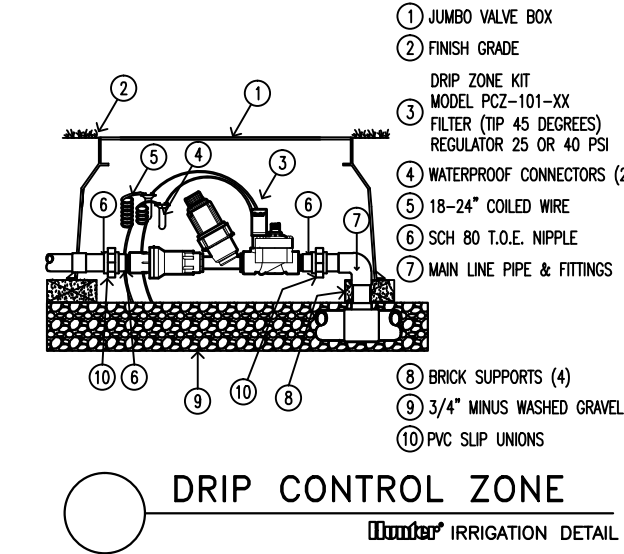
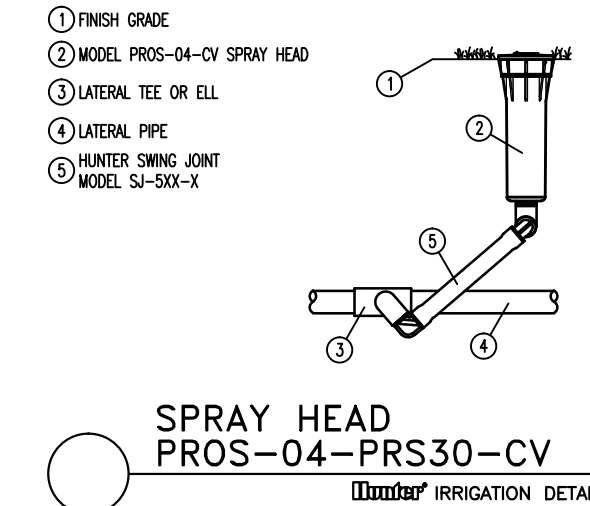
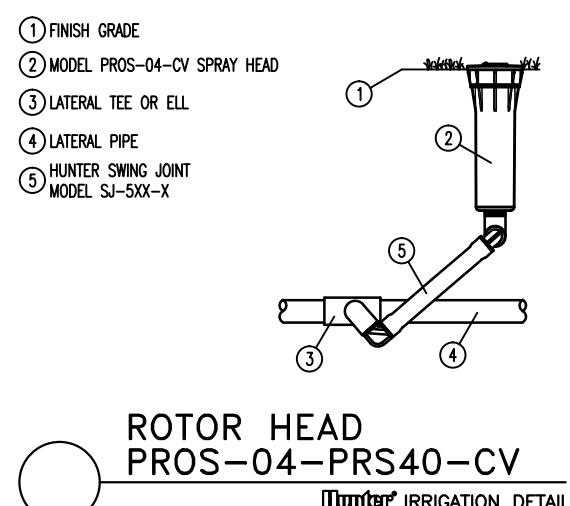
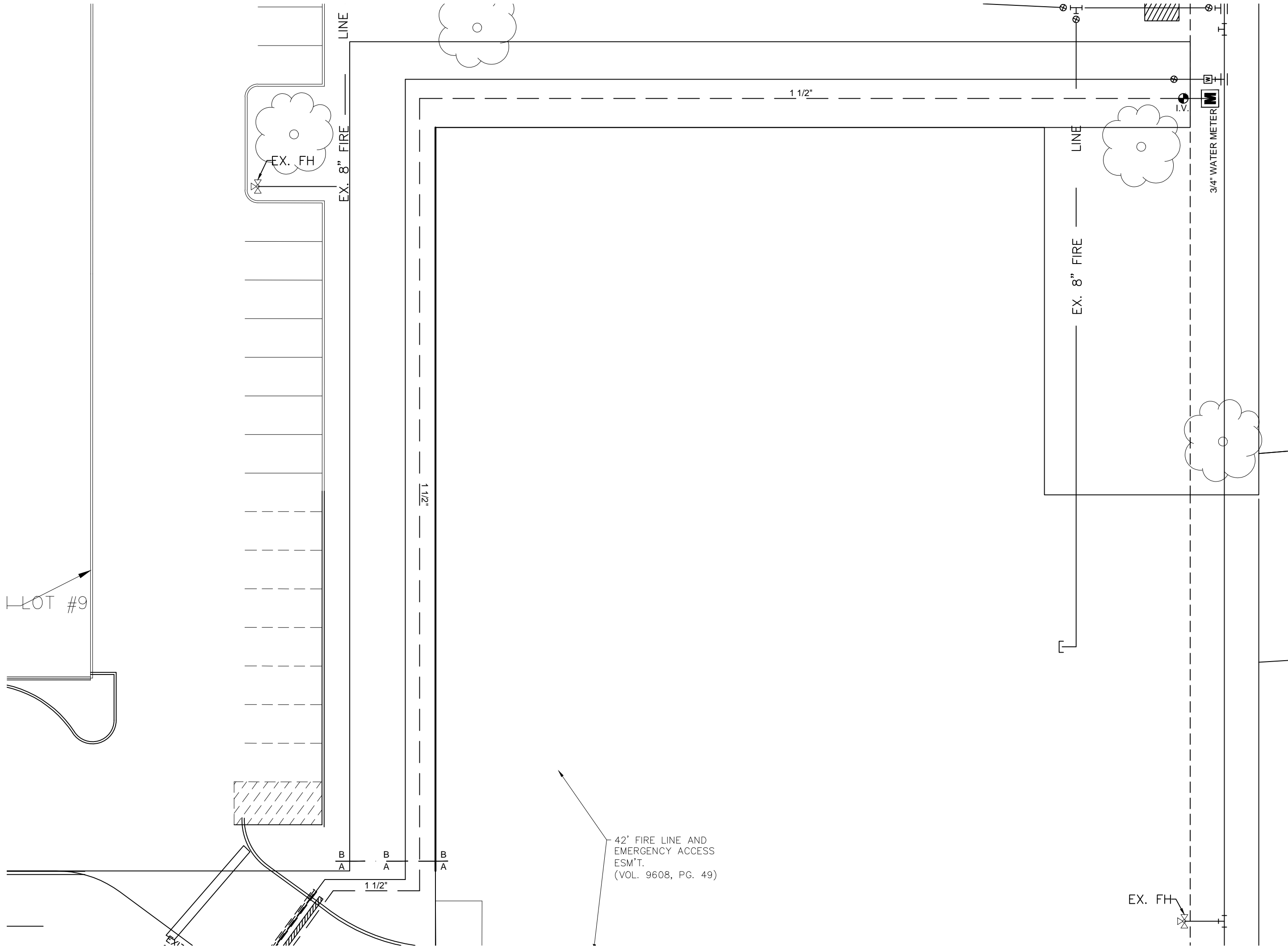


PIPE WILL BE SIZED AS FOLLOWS
EXCEPT ON DRIP & BUBBLERS SECTION
THE MINIMUM SIZE IS 3/4"

1/2" - MAX. 4 GPM
3/4" - MAX. 8 GPM
1" - MAX. 16 GPM
1.25" - MAX. 26 GPM
1.5" - MAX. 32 GPM
2" - MAX. 50 GPM

LEGEND

- HUNTER PROS-04-PRS30-CV WITH PRO SPRAY NOZZLES
- HUNTER PROS-04-CV WITH MP ROTATOR NOZZLES
- HUNTER PROS-04-CV WITH PCN 1 GPM BUBBLER
- HUNTER PGV-101G 1" & 1.5" VALVE WITH FLOW CONTROL
- HUNTER PCZ-40 1" & 1.5" VALVE FOR DRIP ZONES
- HUNTER PRO-C STATION CONTROLLER
- FEBCO 850 - 3/4" DC WITH Y STRAINER. CHECK WITH LOCAL CODES
- M.V. = MASTER VALVE I.V. = ISOLATION VALVE
- 1.25" MAINLINE
- HUNTER SOLAR-SYNC RAIN/FREEZE SENSOR
- DRIPLINE - HUNTER PLD-10-12 1GPH EMITTERS 12' APART
- ▨ 4" SCHEDULE 40 PVC SLEEVE
- M** 3/4" WATER METER FOR IRRIGATION



CHECK WITH LOCAL LAWS, RULES, AND INSTALLATION TECHNIQUES TO ENSURE PROPER PROTECTION FROM CONTAMINATION AND FREEZING TEMPERATURES

STATEMENT OF IRRIGATION DESIGN STANDARDS CONFORMITY:
This plan is complete and conforms to the design and installation parameters of the irrigation design and equipment standards set out in 35-510(j) and 35-511(c)(6) of the City of San Antonio Unified Development Code.

[Signature]
JOE D KEY TX LI # 720

ALL PIPING AND EQUIPMENT WILL BE INSTALLED INSIDE PROPERTY LINE. SHOWN OUTSIDE PROPERTY LINE FOR CLARITY.

CONSTRUCTION NOTES & DETAILS
REFER TO SHEET LI2.0

IRRIGATION PLAN

THIS DRAWING IS PROVIDED AS AN INSTRUMENT OF SERVICE BY THE ARCHITECT AND IS INTENDED FOR USE ON THIS PROJECT ONLY. THE DRAWING REMAINS THE PROPERTY OF THE ARCHITECT AND SHALL BE RETURNED TO HIM/HER UPON THE COMPLETION OF THE CONSTRUCTION WORK. PURSUANT TO THE ARCHITECTURAL WORKS COPYRIGHT PROTECTION ACT OF 1990, ALL DRAWINGS, SPECIFICATIONS, IDEAS AND DESIGNS, INCLUDING THE OVERALL FORM, ARRANGEMENT AND COMPOSITION OF SPACES AND ELEMENTS APPEARING HEREIN, CONSTITUTE THE COPYRIGHTED WORK OF THE ARCHITECT. ANY REPRODUCTION, USE, OR DISCLOSURE OF INFORMATION CONTAINED HEREIN WITHOUT PRIOR WRITTEN CONSENT OF THE ARCHITECT IS STRICTLY PROHIBITED.

© 2014

PROJECT NO.: 2015-155
ISSUE DATE: 12/15/15
DRAWN BY: JDK
REVIEWED BY: JF
PROJECT ARCHITECT:

SHEET NO.:
LI1.0