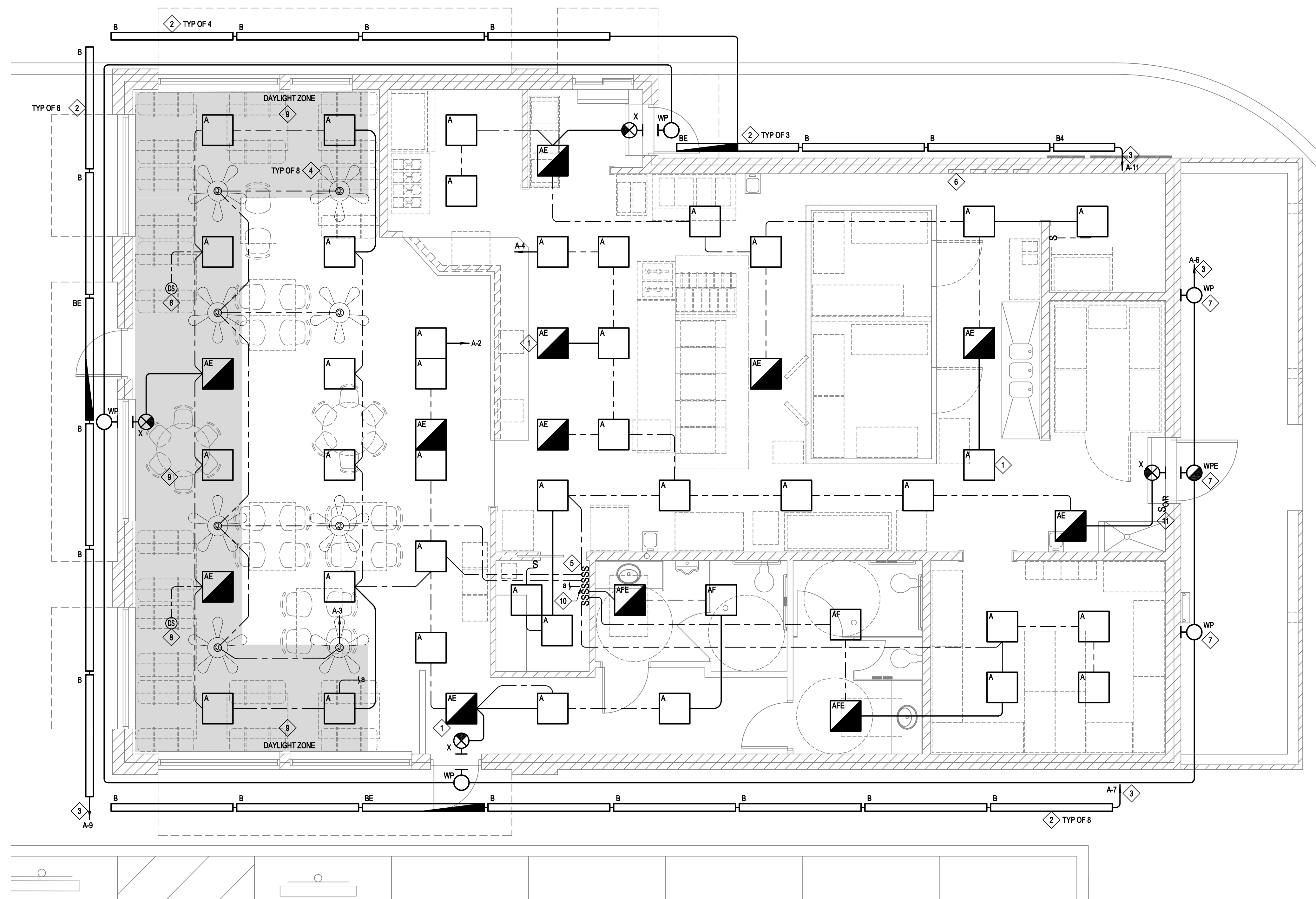


GENERAL NOTES - LIGHTING

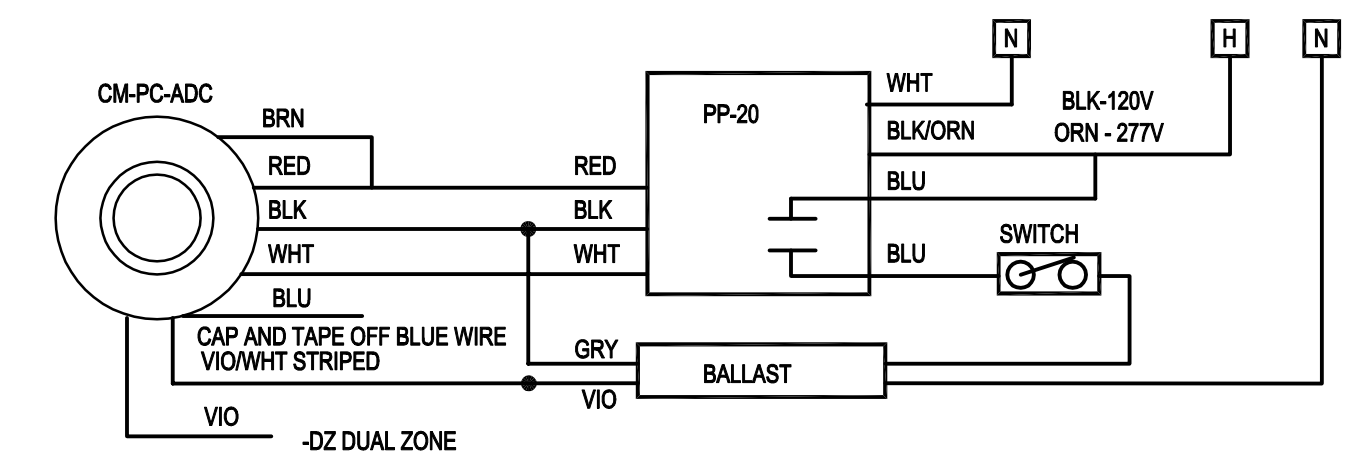
1. REFER TO ARCHITECTURAL REFLECTED CEILING PLAN (RCP) FOR EXACT LOCATION OF LIGHT FIXTURES. FURNISH FIXTURES WITH TRIM COMPATIBLE WITH THE TYPE OF CEILING AS INDICATED ON THE RCP.
2. COORDINATE PLACEMENT OF FIXTURES WITH ACTUAL INSTALLATION OF MECHANICAL EQUIPMENT AND DUCTWORK.
3. ALL EXIT LIGHT FIXTURES ARE TYPE X UCN.
4. ALL INTERIOR AND EXTERIOR BUILDING LIGHTING CIRCUITS TO BE ROUTED THROUGH A TIME SWITCH FOR AUTOMATIC SHUTOFF OF LIGHTING. ROUTE PHOTOCELL INPUT TO TIME SWITCH FOR CONTROL OF EXTERIOR LIGHTING.

KEYED NOTES - ELECTRICAL

1. CONNECT HOT LEG TO FIXTURE ONLY. LIGHT FIXTURE TO OPERATE CONTINUOUSLY AS NIGHT LIGHT.
2. MOUNT LIGHTS ON WALL TO ILLUMINATE CANOPY. COORDINATE EXACT LOCATION WITH CANOPY INSTALLER.
3. CONTROL CIRCUIT THROUGH NORTH FACING PHOTOCELL MOUNTED ON THE ROOF.
4. 48" CEILING FAN SELECTED BY OWNER. ALLOW \$200 PER FAN FOR BIDDING PURPOSES.
5. COORDINATE LIGHTING SWITCHBANK LOCATION WITH OWNER. QUANTITY AS REQUIRED. PROVIDE LABEL TO IDENTIFY EACH SWITCH FUNCTION.
6. LIGHTING RELAY PANEL LOCATION. SEE DETAIL 3 ON SHEET E0.1 AND KEYED NOTE 29 ON SHEET E3.0.
7. COORDINATE MOUNTING HEIGHT WITH OWNER.
8. CEILING MOUNTED DAYLIGHT HARVESTING SENSOR EQUAL TO: SENSOR SWITCH, MODEL NO: CM-PC-ADC. POWER PACK MODEL NO: PP-20. CONTRACTOR SHALL WIRE AND INSTALL SENSOR AND ASSOCIATED POWER PACK PER MANUFACTURER'S REQUIREMENTS.
9. LIGHT FIXTURES WITHIN THIS SHADED AREA SHALL BE AUTOMATICALLY DIMMED AT 0-10% UTILIZING NOTED DAYLIGHT HARVESTING SENSOR NOTED ABOVE. KEYED NOTE 8.
10. MANUAL OVERRIDE LIGHT SWITCH AS SHOWN FOR LIGHT HARVESTING FIXTURES. CIRCUIT WITH DAYLIGHT HARVESTING SENSOR AS SHOWN ON PLAN WITH ASSOCIATED WIRING AND RELAYS, ACCORDING TO MANUFACTURER'S REQUIREMENTS. REFER TO DETAIL 2, THIS SHEET.
11. MANUAL OVERRIDE SWITCH FOR CONTROL OF LIGHTING RELAY PANEL. SEE DETAIL 3 ON SHEET E0.1 AND KEYED NOTE 29 ON SHEET E3.0.



1 ELECTRICAL FLOOR PLAN - LIGHTING
 SCALE: 1/4" = 1'-0"



2 CEILING MOUNTED DAYLIGHT HARVESTING SENSOR WITH AUTO-DIMMING DIAGRAM
 SCALE: NONE

ELECTRICAL FLOOR PLAN - LIGHTING

TEBE Registered Engineering Firm F-342

M P ENGINEERING, INC.

1100 Colwell Blvd.
 Suite 207
 San Antonio, TX 78204
 (210) 349-4000
 (210) 349-4000

STATE OF TEXAS
 PATRICK J. HOWARD
 LICENSED PROFESSIONAL ENGINEER
 NO. 10881

©COPYRIGHT 2015

BUSH'S CHICKEN!
 BLANCO & BITTERS
 SAN ANTONIO, TX. 78230

Project No. 15-054
 Drawn: PJH
 Chkd: MFB
 Date: 07/28/2015
 Drawing

E2.0

Plot Time: Friday, November 20, 2015 10:26:46 AM - Plotted By: PATRICK HOWARD
 This file block has been modified to plot correctly using an MEP plot configuration.