

REVISED ISSUE DATES:

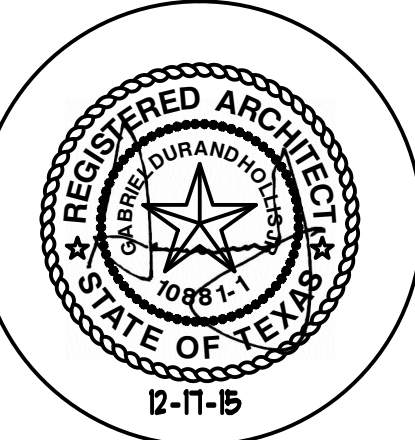
1	▲
2	▲
3	▲

BUSH'S CHICKEN!
BLANCO & BITTERS
 SAN ANTONIO, TX. 78216

SHEET KEYNOTES

- DIVISION 05 - METALS**
- 8" X 2" X 1/4" THICK PAINTED STEEL ANGLE BRACE EACH SIDE @ 6'-0" O.C. MAX.
 - 3/4" DIA. EXPANSION BOLTS. PROVIDE BLOCKING @ WALL AS REQUIRED
 - EXPANDED METAL SECURITY PANEL W/ CONT. HINGE AND LOCK
 - 2" X 1" X 1/8" THICK PAINTED STEEL TUBE LADDER RAILS (2 TOTAL FOR 2'-0" WIDE LADDER)
 - 1" X 1" X 1/8" THICK PAINTED STEEL TUBE RUNGS WELDED TO RAILS @ 12" O.C.
 - 1/4" STEEL GUSSET PLATE, 5" X 5" MIN.
 - 1/4" STEEL CHECKERED TREAD PLATE
- DIVISION 06 - WOOD, PLASTICS, AND COMPOSITES**
- WOOD BLOCKING AS REQUIRED
 - 2X4 STUDS @ 16" O.C.
 - 1/2" CDX PLYWOOD
 - 1/2" EXTERIOR GRADE SHEATHING
 - 4" PLASTIC LAMINATE BACKSPLASH, LAMINATE TO MATCH COUNTERTOP
 - 3/4" PLYWOOD CABINET SHELVES WITH MELAMINE FINISH
 - 1/4" PLYWOOD BACKING WITH MELAMINE FINISH
 - CABINET HARDWARE, SELECTED BY OWNER
 - PLASTIC LAMINATE TOP ON 1 1/4" PLYWOOD, LAMINATE ALL EXPOSED EDGES
 - 3/4" PLYWOOD WITH PLASTIC LAMINATE FINISH ON FRONT AND EDGES
 - BLOCKING AS REQUIRED
 - 3/4" PLYWOOD DRAWER W/ PLASTIC LAMINATE FINISH ON FRONT AND EDGES
 - NOT USED
 - BEAD BOARD, FINISH SELECTED BY OWNER
- DIVISION 07 - THERMAL AND MOISTURE PROTECTION**
- PLYWOOD ROOF DECK, REF. STRUCTURAL
 - 60 MIL TPO ROOFING
 - PREFINISHED METAL COPING
- DIVISION 09 - FINISHES**
- 1" STUCCO ON METAL LATH
 - 5/8" GYPSUM WALLBOARD
 - TILE BASE TO MATCH FLOOR TILE
 - TILE, SELECTED BY OWNER
 - BASE AS SCHEDULED
- DIVISION 10 - SPECIALTIES**
- NOT USED
 - METAL ANGLE SUPPORT
- DIVISION 22 - PLUMBING**
- FAUCET, REF. PLUMBING
 - SURFACE MOUNTED SINK, REF. PLUMBING

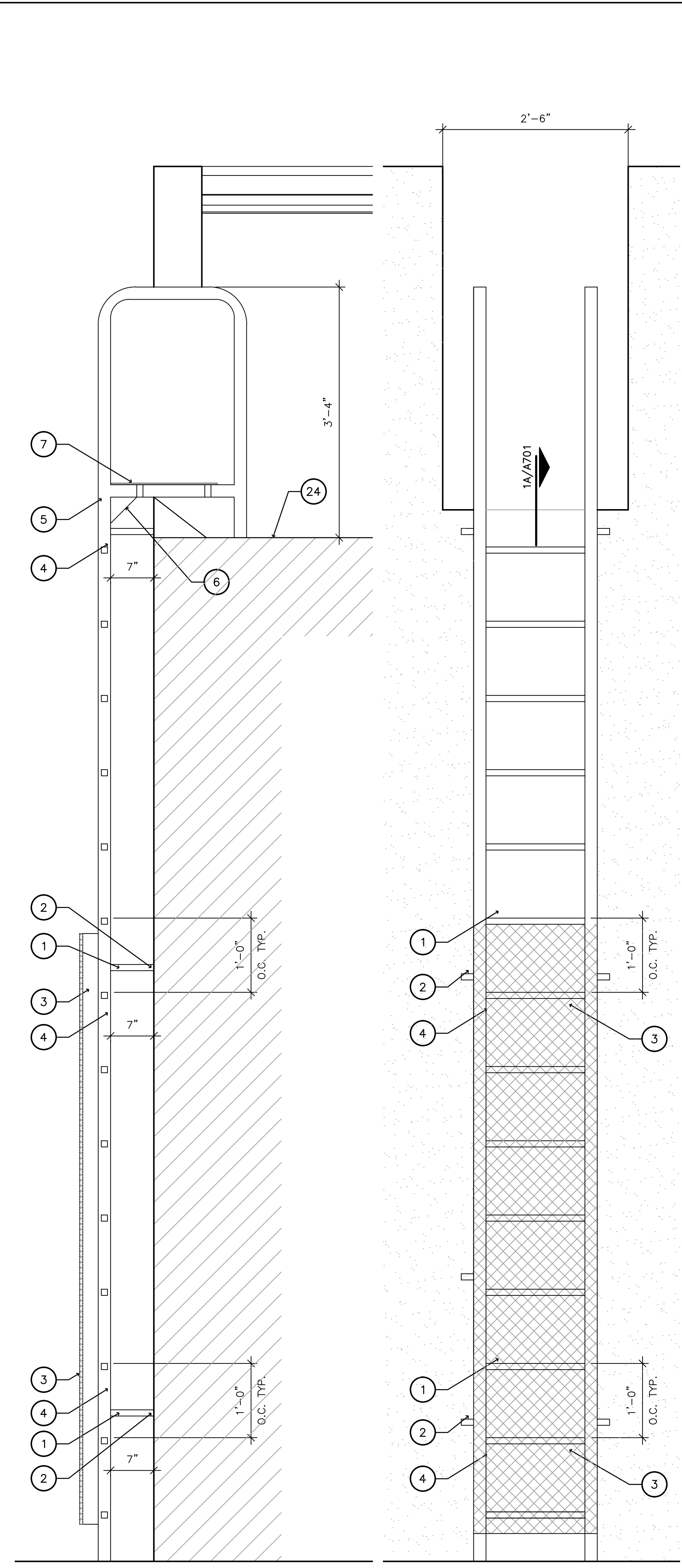
ROOF ACCESS LADDER & MILLWORK DETAILS



THIS DRAWING IS PROVIDED AS AN INSTRUMENT OF SERVICE BY THE ARCHITECT AND IS INTENDED FOR USE ON THIS PROJECT ONLY. THE DRAWING REMAINS THE PROPERTY OF THE ARCHITECT AND SHALL BE RETURNED TO HIM/HER UPON COMPLETION OF THE CONSTRUCTION WORK. PURSUANT TO THE ARCHITECTURAL WORKS COPYRIGHT PROTECTION ACT OF 1990, ALL DRAWINGS, SPECIFICATIONS, IDEAS AND DESIGNS, INCLUDING THE OVERALL FORM, ARRANGEMENT AND COMPOSITION OF SPACES AND ELEMENTS APPEARING HEREIN, CONSTITUTE THE COPYRIGHTED WORK OF THE ARCHITECT. ANY REPRODUCTION, USE, OR DISCLOSURE OF INFORMATION CONTAINED HEREIN WITHOUT PRIOR WRITTEN CONSENT OF THE ARCHITECT IS STRICTLY PROHIBITED.
 © 2015

PROJECT NO. 15-054
 ISSUE DATE: 12-17-15
 DRAWN BY: AT/SM
 REVIEWED BY: RM
 PROJECT ARCHITECT:
 GABRIEL DURAND-HOLLIS, FAIA
 TEXAS LICENSE NO. 10881

A701



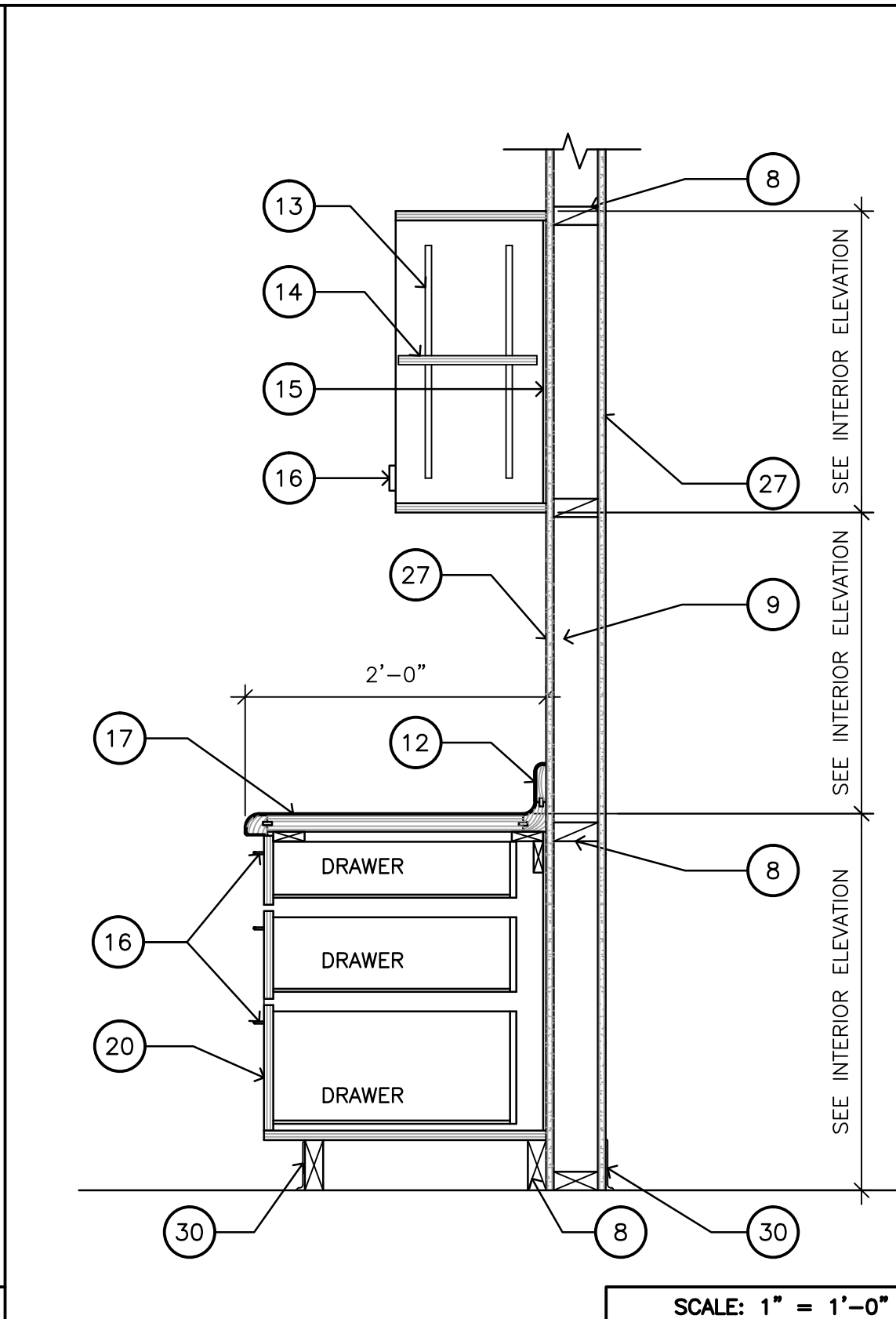
(C) ELEVATION

(B) ELEVATION

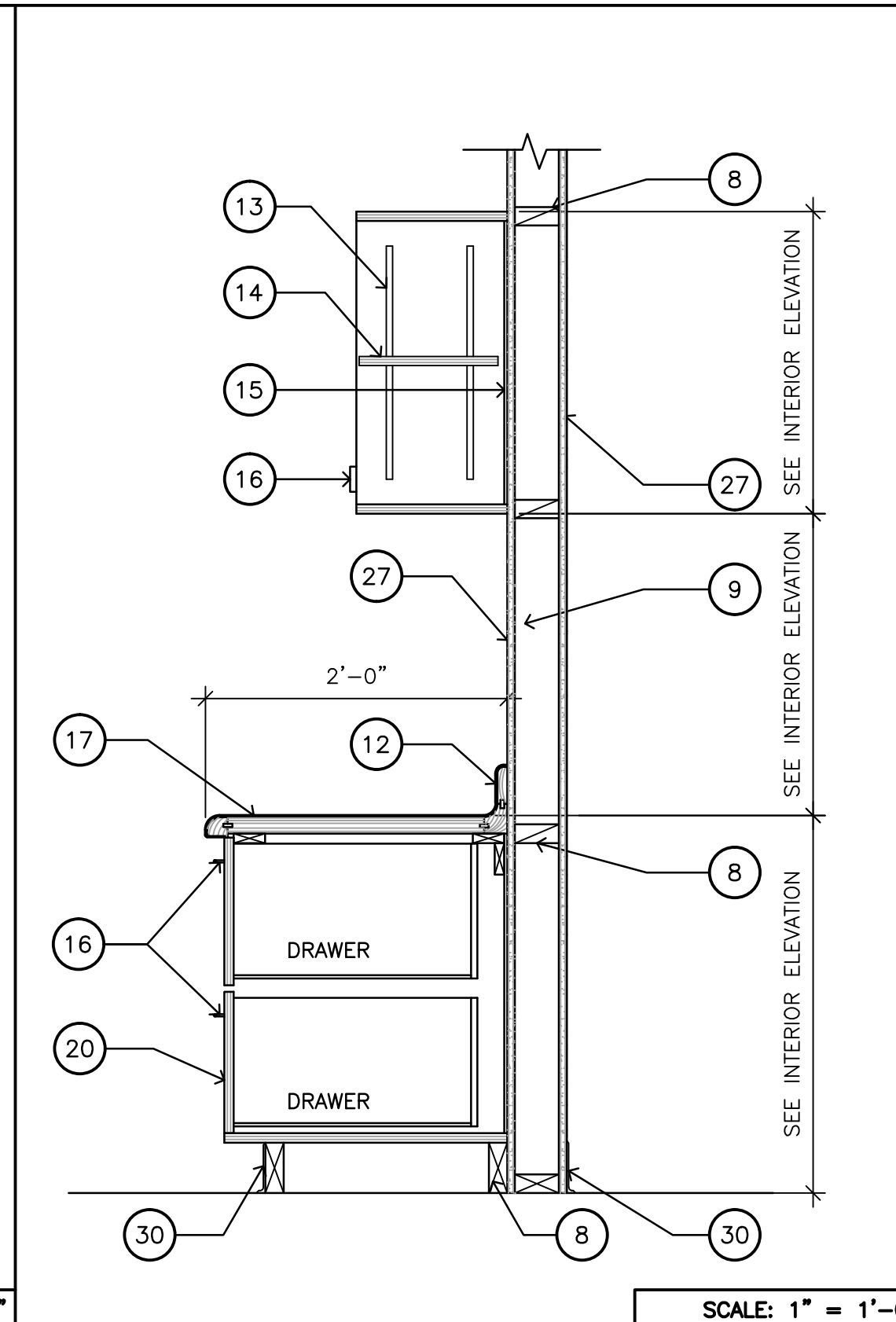
(A) SECTION

SCALE: 1" = 1'-0"

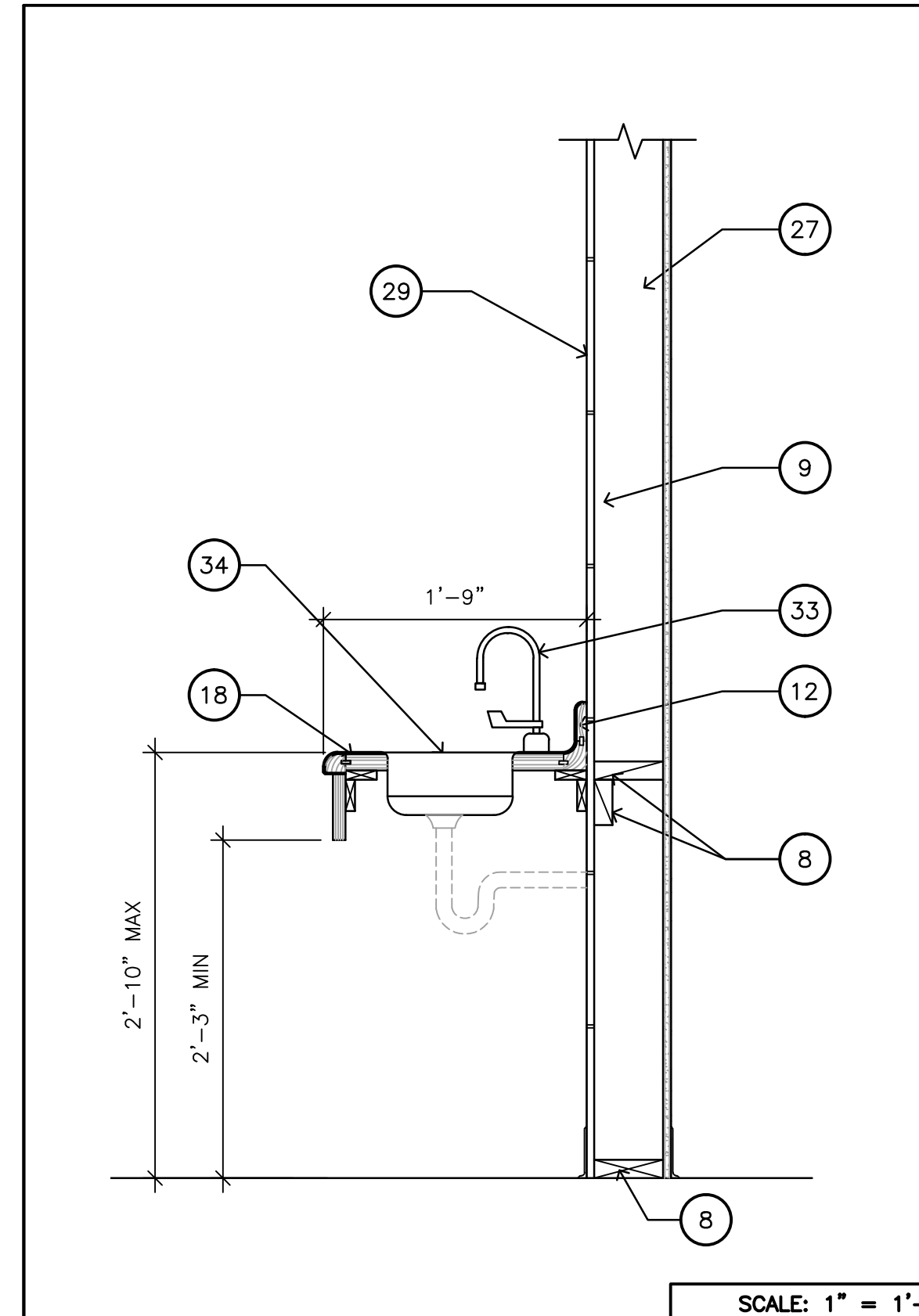
1 ROOF ACCESS LADDER DETAIL



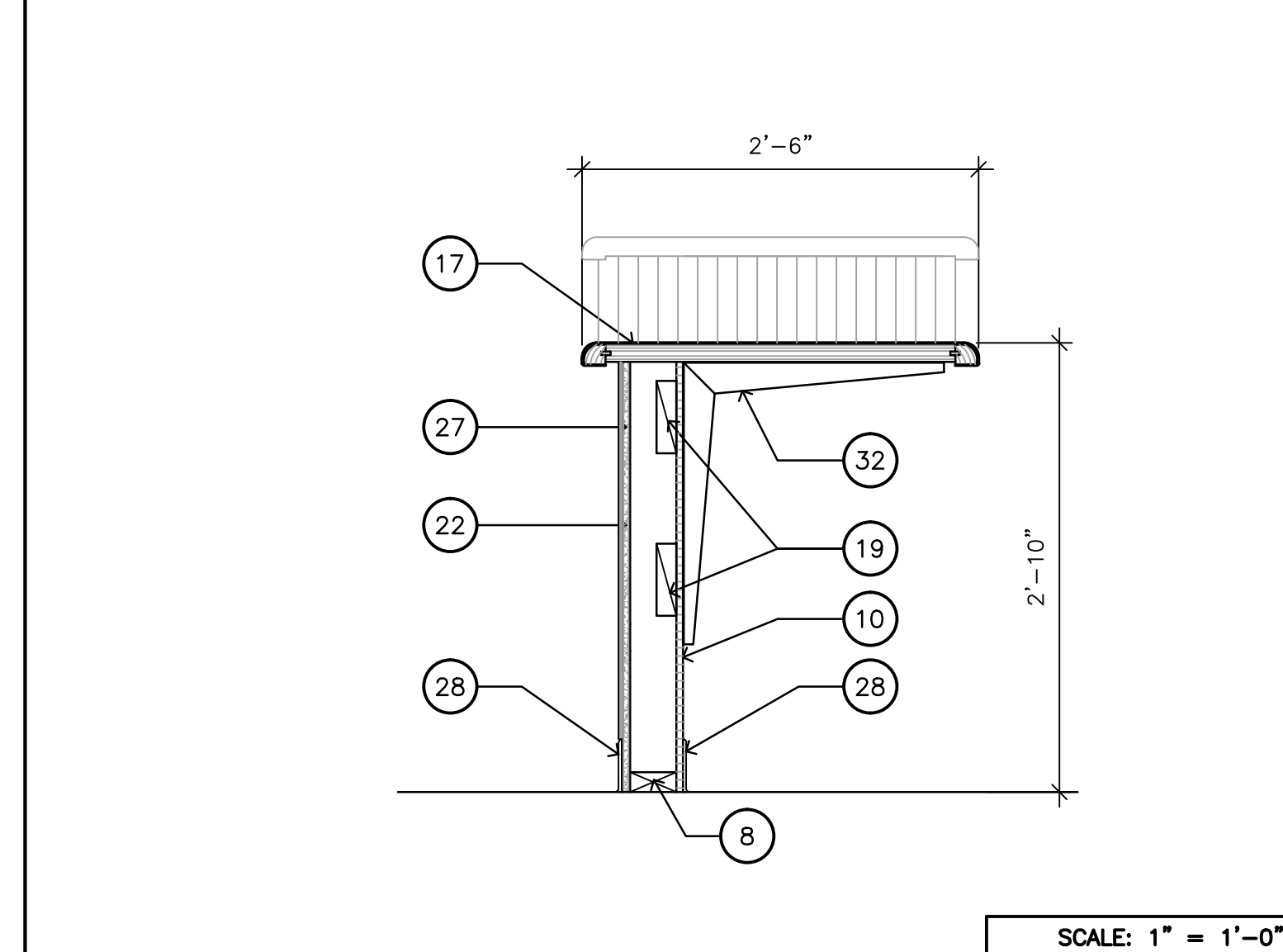
2 MILLWORK DETAIL



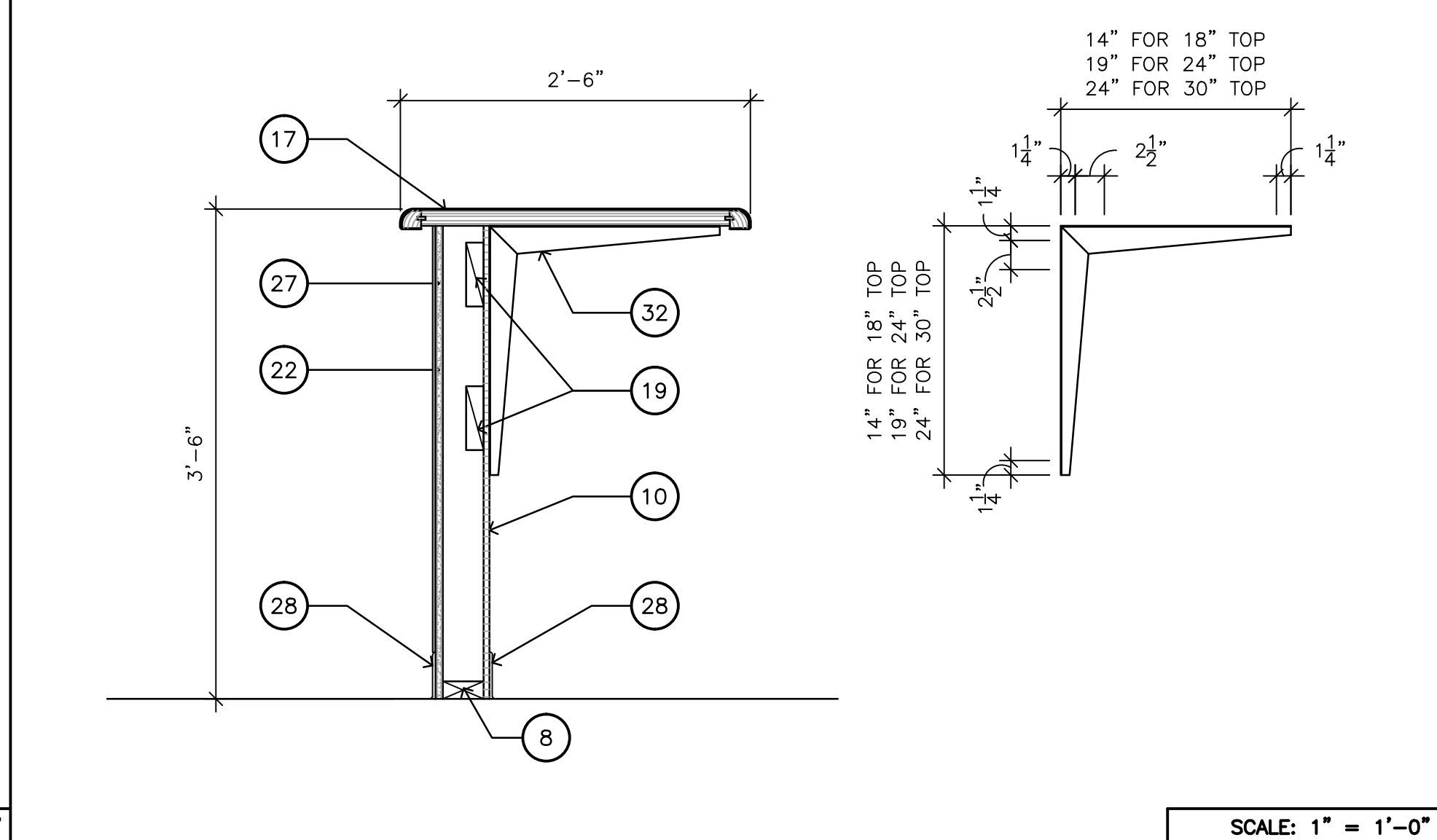
3 MILLWORK DETAIL



4 MILLWORK DETAIL



6 MILLWORK DETAIL



5 MILLWORK DETAIL

4 MILLWORK DETAIL