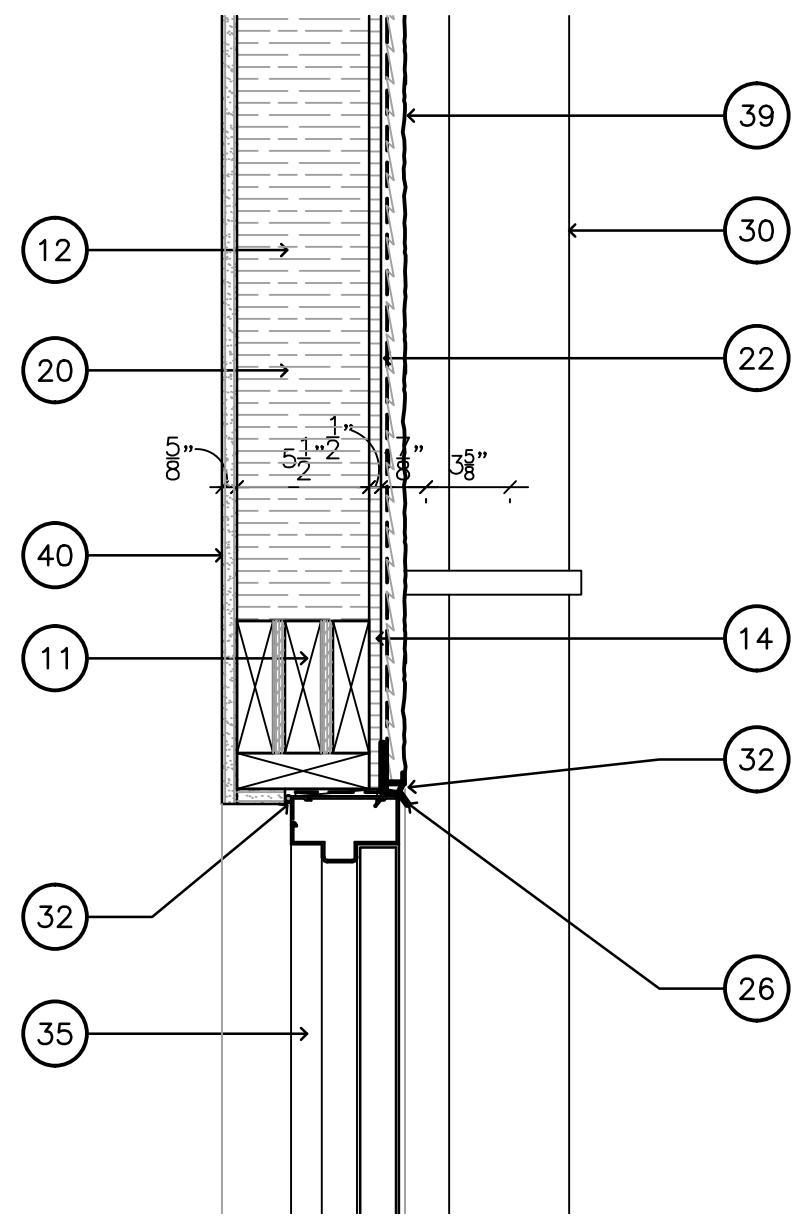


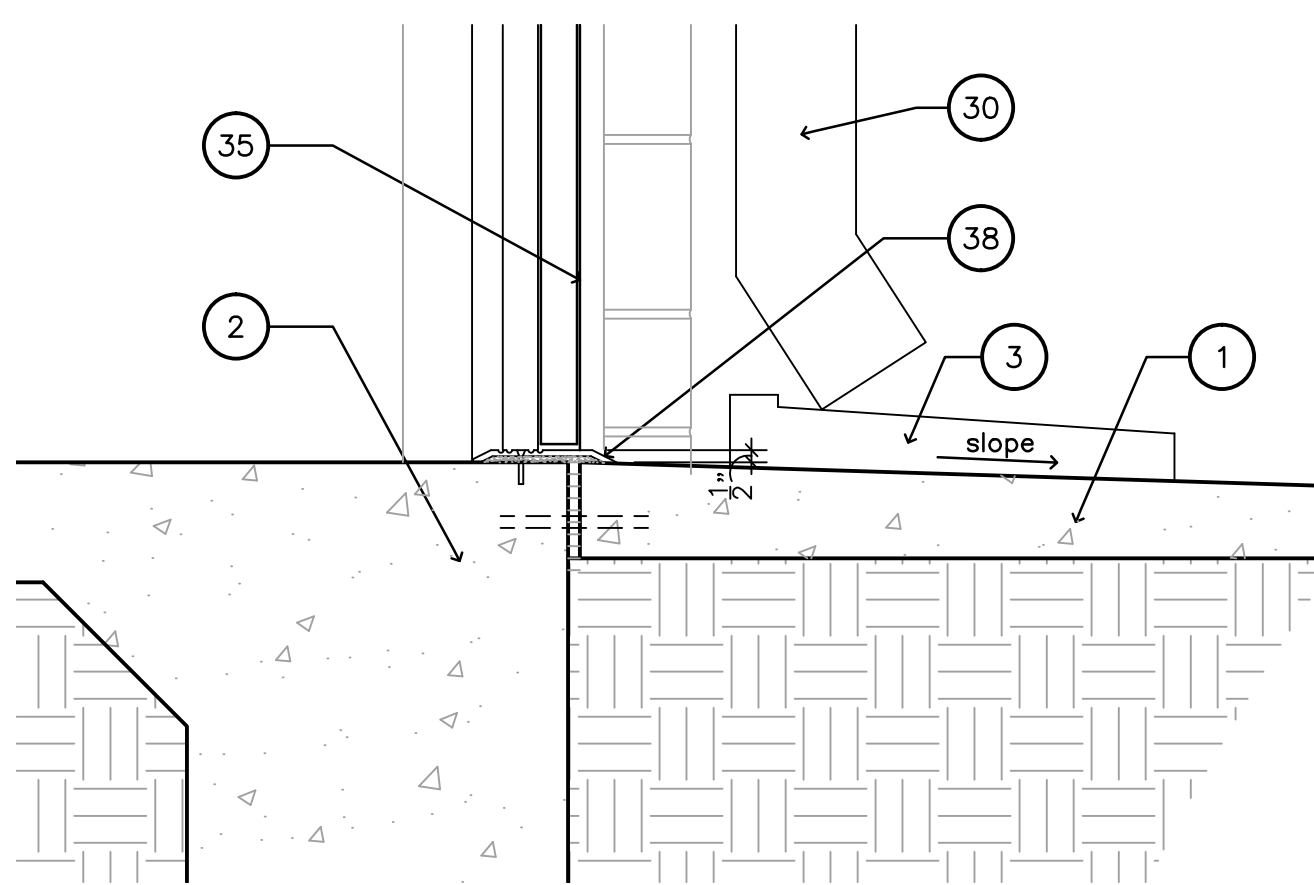
SCALE: 1 1/2" = 1'-0"

**9 DETAIL**



SCALE: 1 1/2" = 1'-0"

**10 DETAIL**

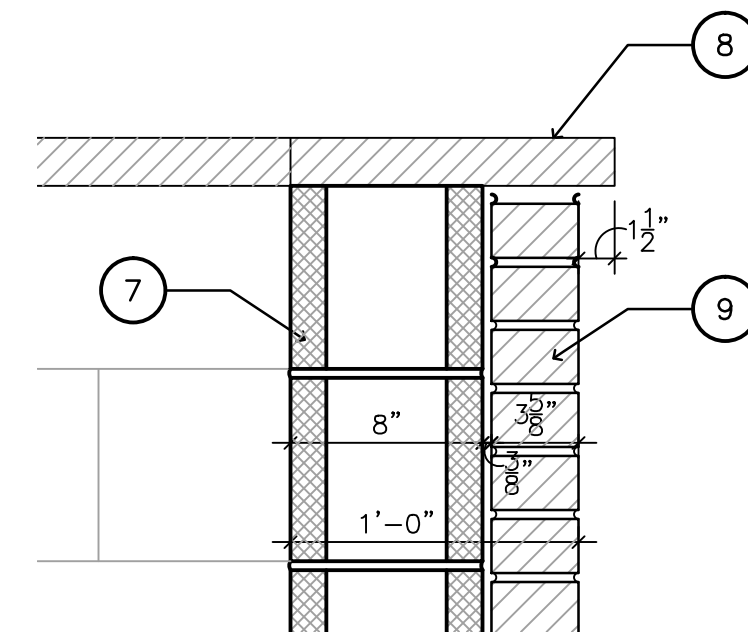


SCALE: 1 1/2" = 1'-0"

**11 DETAIL**

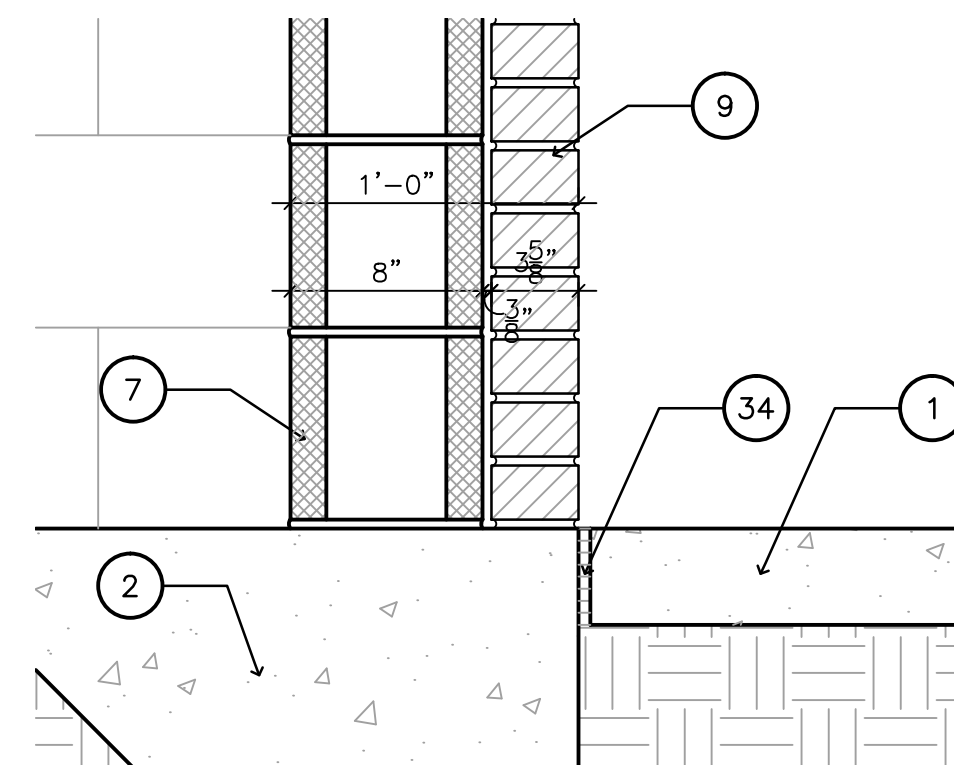
**5 DETAIL**

SCALE: 1 1/2" = 1'-0"



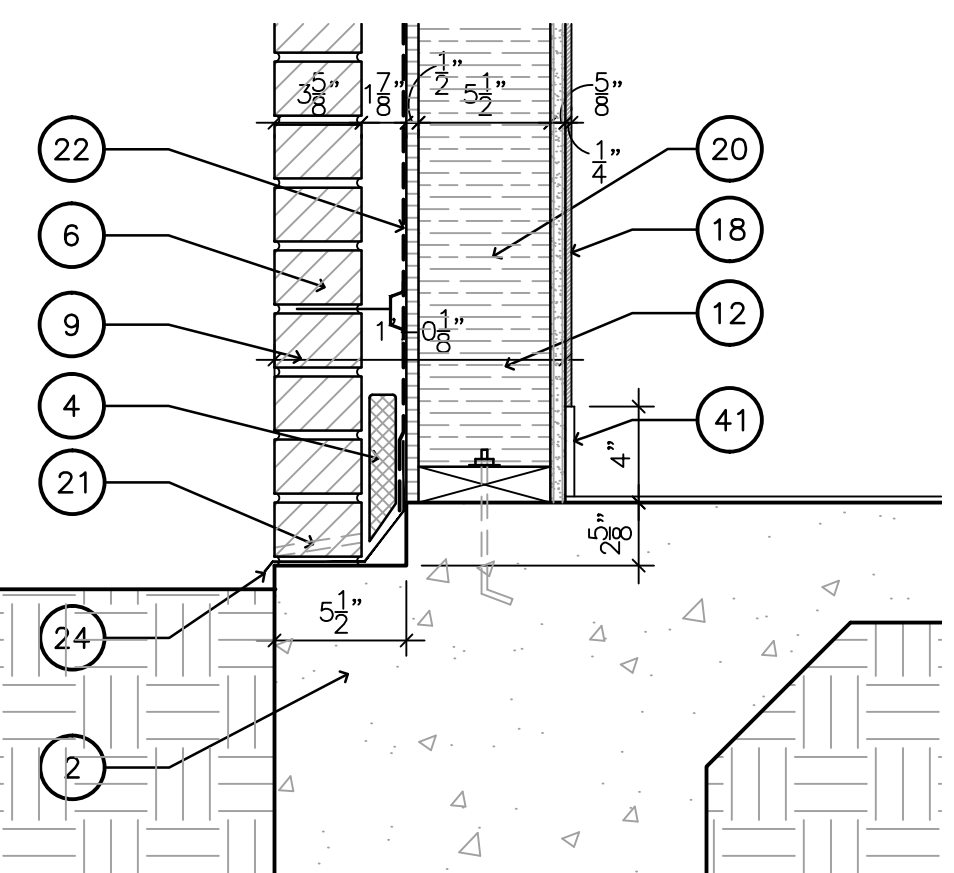
SCALE: 1 1/2" = 1'-0"

**6 DETAIL**



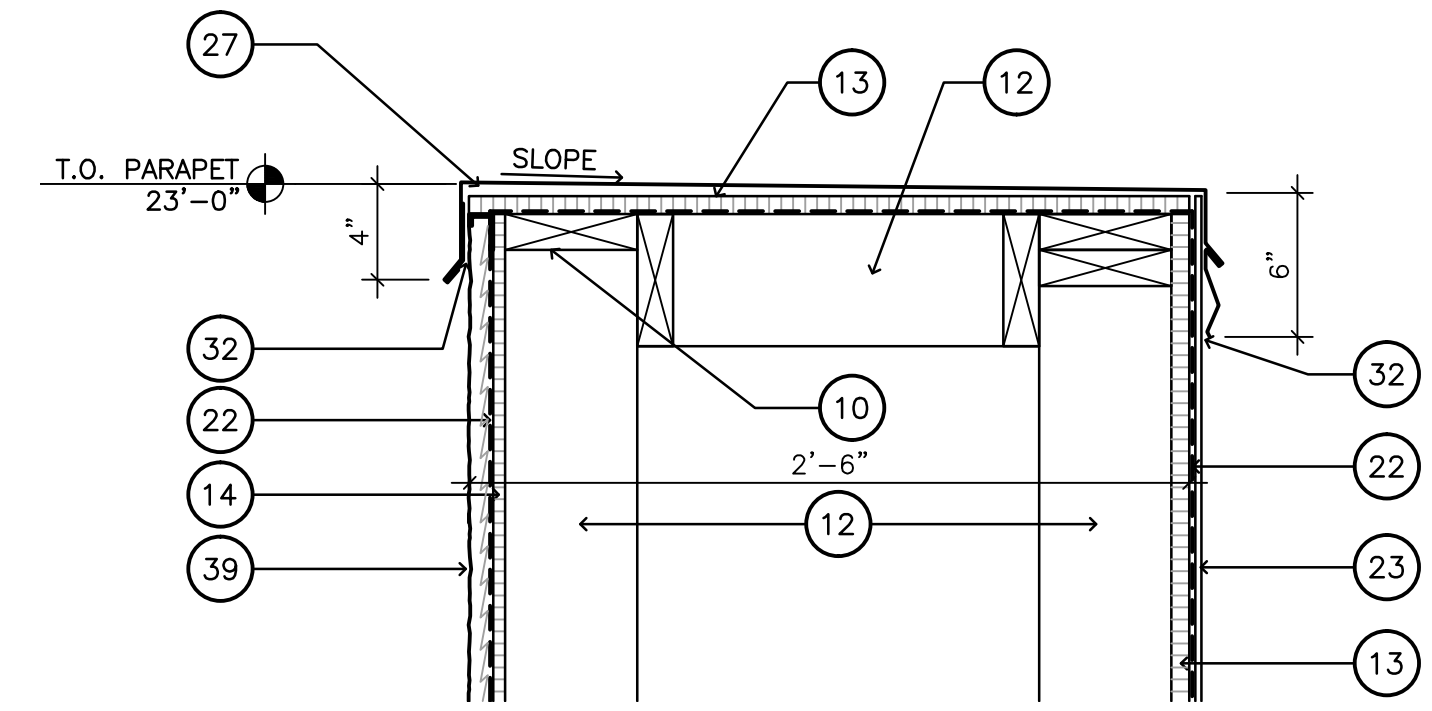
SCALE: 1 1/2" = 1'-0"

**7 DETAIL**



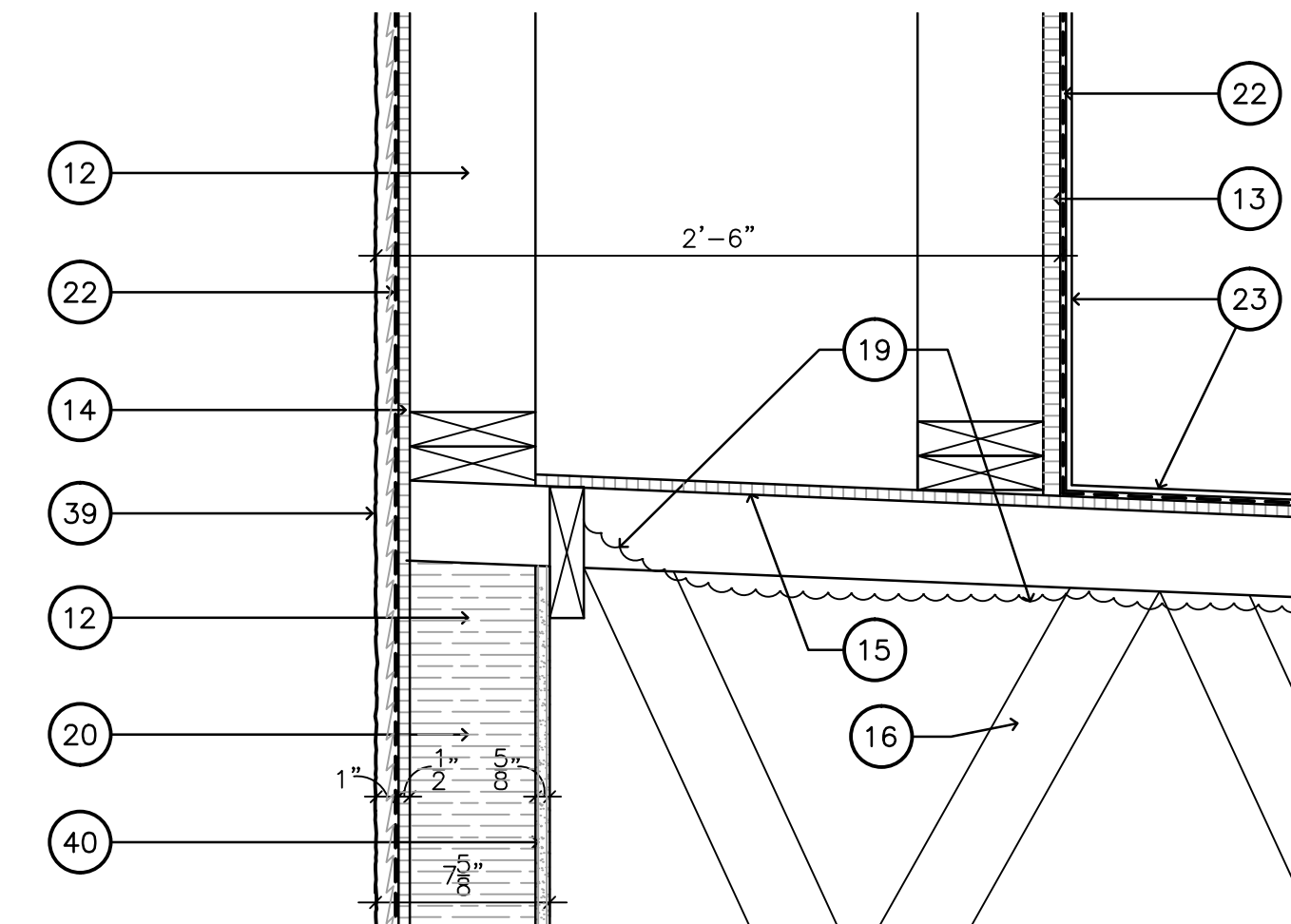
SCALE: 1 1/2" = 1'-0"

**8 DETAIL**



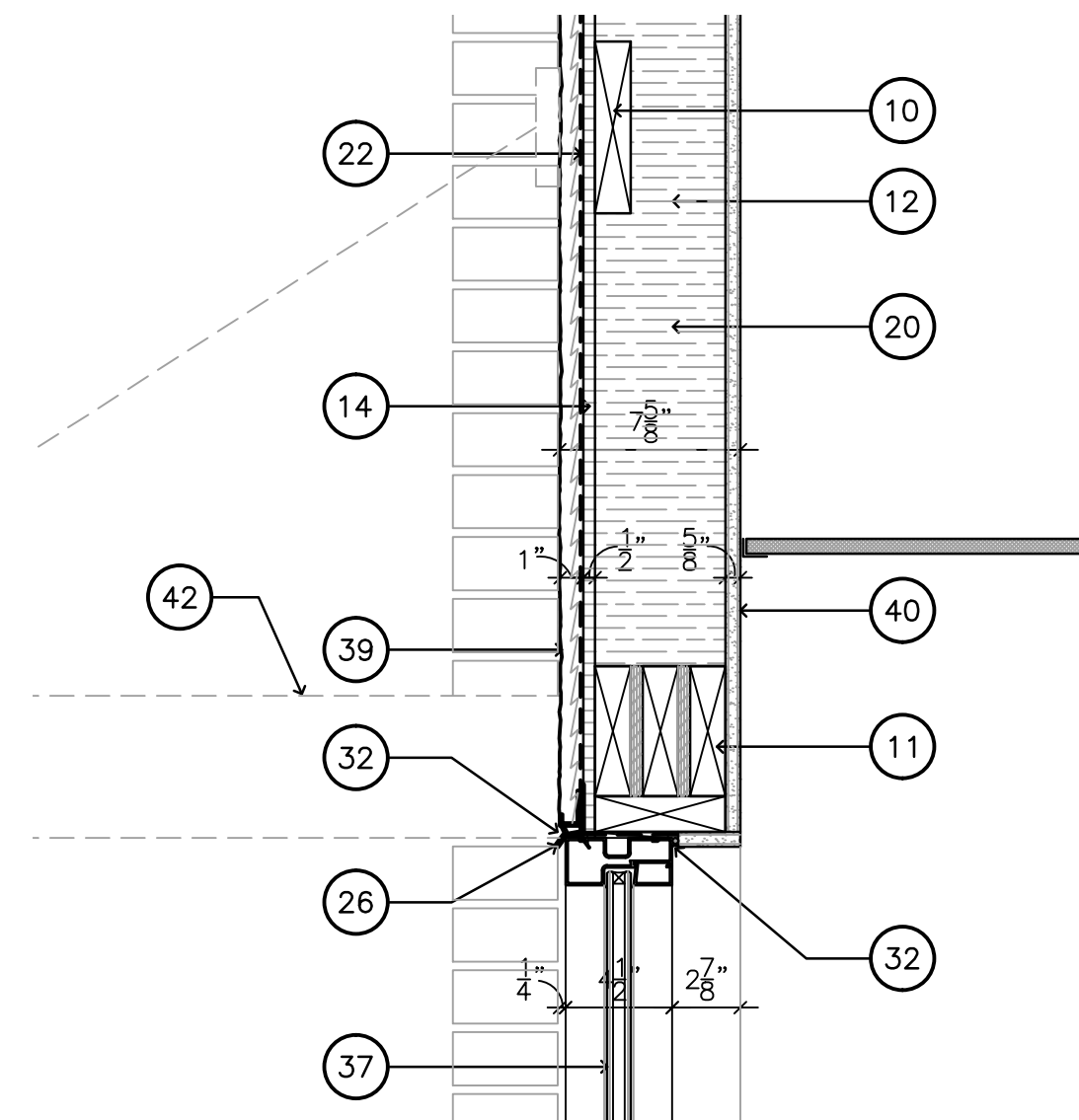
SCALE: 1 1/2" = 1'-0"

**1 DETAIL**



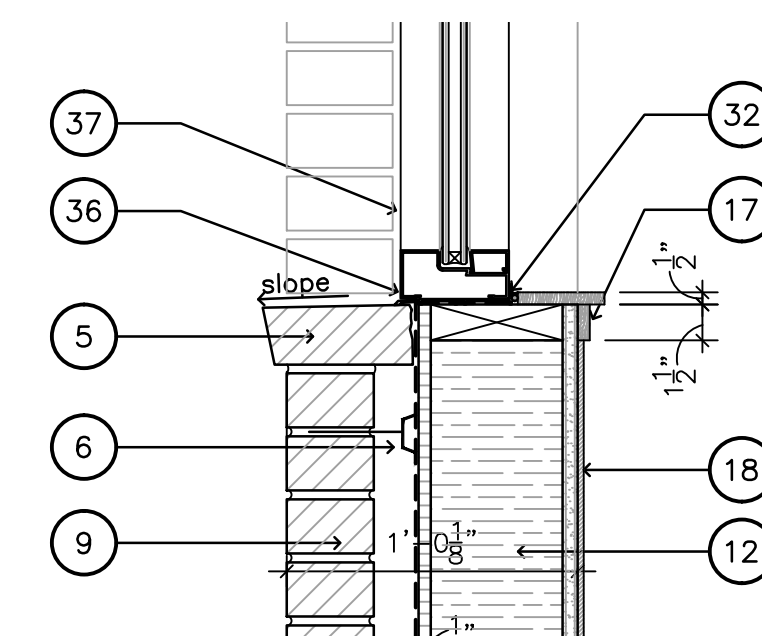
SCALE: 1 1/2" = 1'-0"

**2 DETAIL**



SCALE: 1 1/2" = 1'-0"

**3 DETAIL**



SCALE: 1 1/2" = 1'-0"

**4 DETAIL**

**SHEET KEYNOTES**

- DIVISION 03 - CONCRETE
- 1 CONCRETE SIDEWALK, REF. CIVIL
- 2 CONCRETE FOOTING, REF. STRUCTURAL
- DIVISION 04 - MASONRY
- 3 PRECAST CONCRETE SPLASHBLOCK
- 4 MASONRY MORTAR SCREEN
- 5 BRICK SILL
- 6 MASONRY WALL TIE
- 7 CMU BLOCK WALL
- 8 BRICK CAP
- 9 BRICK VENEER, OWNER SELECTED
- DIVISION 06 - WOOD, PLASTICS, AND COMPOSITES
- 10 WOOD BLOCKING AS REQUIRED
- 11 HEADER RE: STRUCTURAL
- 12 2X6 STUDS @ 16" O.C.
- 13 3/4" EXTERIOR GRADE PLYWOOD
- 14 1/2" EXTERIOR GRADE PLYWOOD
- 15 PLYWOOD ROOF DECK, REF. STRUCTURAL
- 16 WOOD TRUSSES, REF. STRUCTURAL
- 17 WOOD SILL AND TRIM, STAINED
- 18 WOOD WAINSCOT, STAIN SELECTED BY OWNER
- DIVISION 07 - THERMAL AND MOISTURE PROTECTION
- 19 SPRAYED INSULATION TO UNDERSIDE OF ROOF DECK
- 20 SPRAYED INSULATION
- 21 WEEP HOLES AT 24" O.C.
- 22 CONTINUOUS MOISTURE BARRIER
- 23 60 MIL TPO ROOFING
- 24 THROUGH WALL FLASHING
- 25 OVERFLOW OPENING IN CONDUCTOR HEAD
- 26 CONTINUOUS WALL FLASHING
- 27 PREFINISHED METAL COPING
- 28 PRE-FINISH METAL DOWNSPOUT W/ SPLASH BLOCKS
- 29 DOWNSPOUT STRAPS
- 30 DOWNSPOUT BEYOND
- 31 CONTINUOUS CANT STRIP
- 32 CONTINUOUS SEALANT
- 33 CONTINUOUS SEALANT AND BACKER ROD
- 34 1/2" EXPANSION JOINT, REF. CIVIL
- DIVISION 08 - OPENINGS
- 35 DOOR AS SCHEDULED
- 36 ALUMINUM SUBSILL
- 37 WINDOW AS SCHEDULED
- 38 2-1/4" SADDLE THRESHOLD, SET IN FULL BED OF MASTIC
- DIVISION 09 - FINISHES
- 39 1" STUCCO ON METAL LATH
- 40 5/8" GYPSUM WALLBOARD
- 41 TILE BASE TO MATCH FLOOR TILE
- DIVISION 10 - SPECIALTIES
- 42 METAL CANOPY, REF. STRUCTURAL
- DIVISION 22 - PLUMBING
- 43 OVERFLOW THROUGH-WALL FLASHING

**GENERAL NOTES**

\* USE 1/2" CDX PLYWOOD IN LIEU OF 5/8" GYP BOARD AT ALL KITCHEN WALLS. REF. FLOOR PLAN FOR LOCATIONS. ALL OTHER WALLS TO HAVE 5/8" GYP BOARD.



**DURAND-HOLLIS RUPE ARCHITECTS, INC.**  
 14603 HUEBNER RD.  
 BUILDING 18  
 SAN ANTONIO, TEXAS 78230  
 TEL. 210 308-0080  
 FAX. 210 697-3309  
 EMAIL OFFICE@DHRARCHITECTS.COM

**REVISED ISSUE DATES:**


**BUSH'S CHICKEN !**  
**BLANCO & BITTERS**  
 SAN ANTONIO, TX. 78216

**SECTION DETAILS**



THIS DRAWING IS PROVIDED AS AN INSTRUMENT OF SERVICE BY THE ARCHITECT AND IS INTENDED FOR USE ON THIS PROJECT ONLY. THE DRAWING REMAINS THE PROPERTY OF THE ARCHITECT AND SHALL BE RETURNED TO HIM/HER UPON COMPLETION OF THE CONSTRUCTION WORK. PURSUANT TO THE ARCHITECTURAL WORKS COPYRIGHT PROTECTION ACT OF 1990, ALL DRAWINGS, SPECIFICATIONS, IDEAS AND DESIGNS, INCLUDING THE OVERALL FORM, ARRANGEMENT AND COMPOSITION OF SPACES AND ELEMENTS APPEARING HEREIN, CONSTITUTE THE COPYRIGHTED WORK OF THE ARCHITECT. ANY REPRODUCTION, USE, OR DISCLOSURE OF INFORMATION CONTAINED HEREIN WITHOUT PRIOR WRITTEN CONSENT OF THE ARCHITECT IS STRICTLY PROHIBITED.  
 © 2015

PROJECT NO. 15-054  
 ISSUE DATE: 12-17-15  
 DRAWN BY: AT/SM  
 REVIEWED BY: RM  
 PROJECT ARCHITECT:  
 GABRIEL DURAND-HOLLIS, FAIA  
 TEXAS LICENSE NO. 10881

**A700**