

SHEET KEYNOTES

- DIVISION 03 - CONCRETE
- 1 CONCRETE FOUNDATION, REF. STRUCTURAL
- DIVISION 04 - MASONRY
- 2 PRECAST CONCRETE SPLASHBLOCK
- 3 STONE CAP
- 4 CMU BLOCK WALL
- 5 BRICK VENEER
- DIVISION 06 - WOOD, PLASTICS, AND COMPOSITES
- 6 WOOD BLOCKING AS REQUIRED
- 7 2X6 STUDS @ 16" O.C.
- 8 WOOD TRUSSES, REF. STRUCTURAL
- DIVISION 07 - THERMAL AND MOISTURE PROTECTION
- 9 SPRAYED INSULATION ON UNDERSIDE OF ROOF DECK
- 10 SPRAYED INSULATION FILL-IN WALL CAVITY
- 11 60 MIL TPO ROOFING
- 12 OVERFLOW OPENING IN CONDUCTOR HEAD
- 13 PRE-FINISH METAL DOWNSPOUT W/ SPLASH BLOCKS
- DIVISION 08 - OPENINGS
- 14 DOOR AS SCHEDULED
- 15 WINDOW AS SCHEDULED
- DIVISION 09 - FINISHES
- 16 1" STUCCO ON METAL LATH TO BE SELECTED BY OWNER
- 17 5/8" GYPSUM WALLBOARD
- 18 CEILING AS SCHEDULED
- DIVISION 10 - SPECIALTIES
- 19 METAL CANOPY, REF. STRUCTURAL

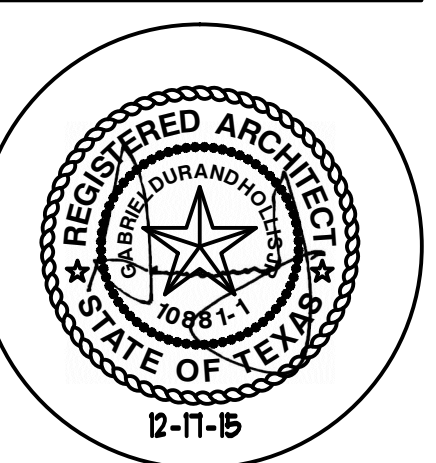
REVISED ISSUE DATES:

GENERAL NOTES

* USE 1/2" CDX PLYWOOD IN LIEU OF 5/8" GYP BOARD AT ALL KITCHEN WALLS. REF. FLOOR PLAN FOR LOCATIONS. ALL OTHER WALLS TO HAVE 5/8" GYP BOARD.

BUSH'S CHICKEN !
BLANCO & BITTERS
 SAN ANTONIO, TX. 78216

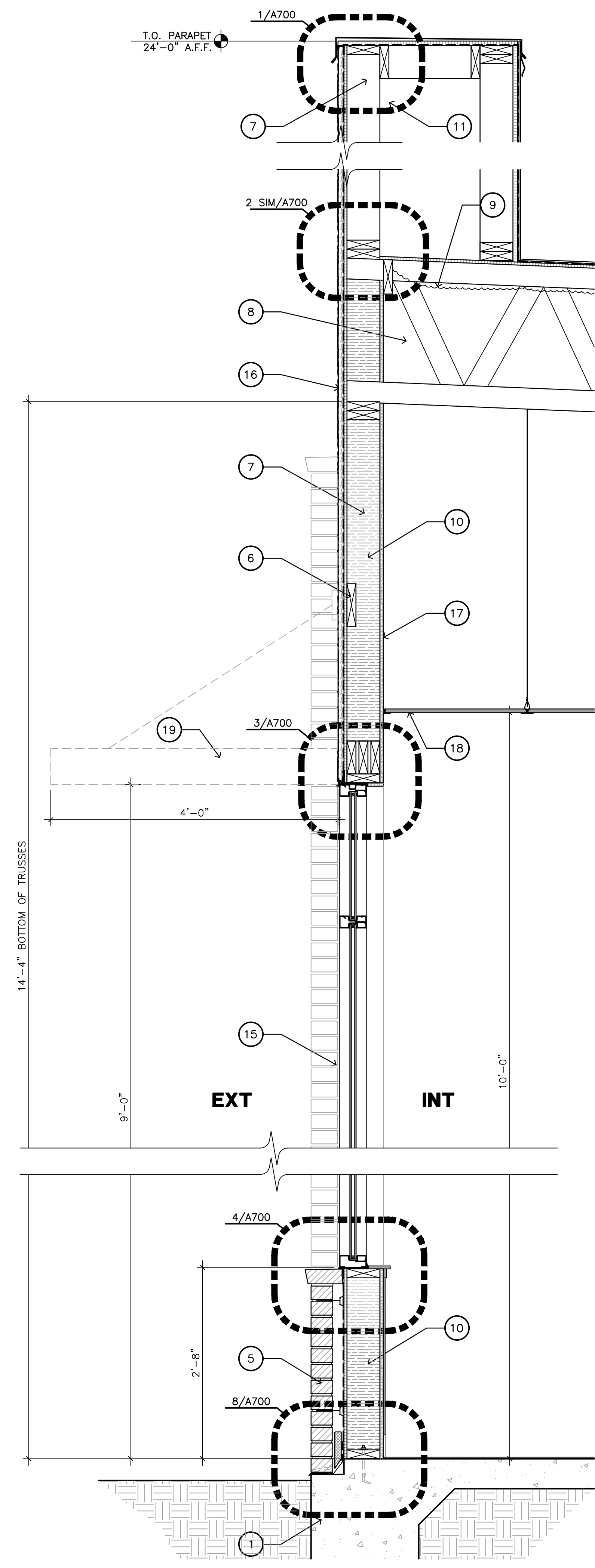
WALL SECTIONS



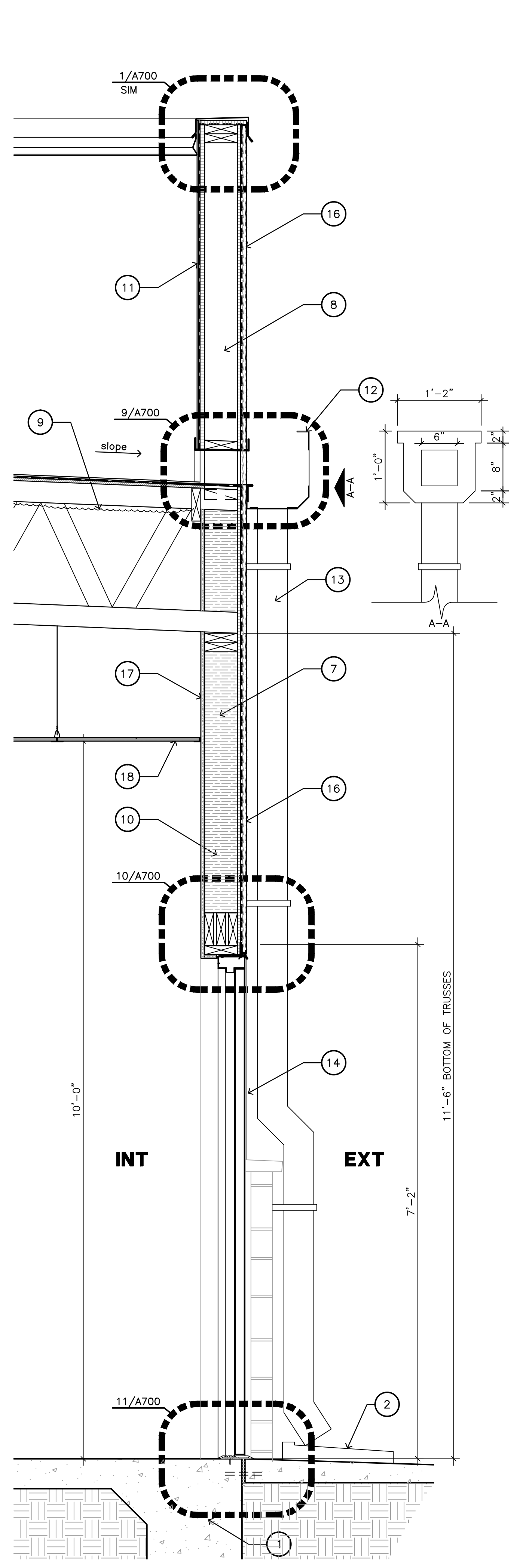
THIS DRAWING IS PROVIDED AS AN INSTRUMENT OF SERVICE BY THE ARCHITECT AND IS INTENDED FOR USE ON THIS PROJECT ONLY. THE DRAWING REMAINS THE PROPERTY OF THE ARCHITECT AND SHALL BE RETURNED TO HIM/HER UPON COMPLETION OF THE CONSTRUCTION WORK. PURSUANT TO THE ARCHITECTURAL WORKS COPYRIGHT PROTECTION ACT OF 1990, ALL DRAWINGS, SPECIFICATIONS, IDEAS AND DESIGNS, INCLUDING THE OVERALL FORM, ARRANGEMENT AND COMPOSITION OF SPACES AND ELEMENTS APPEARING HEREIN, CONSTITUTE THE COPYRIGHTED WORK OF THE ARCHITECT. ANY REPRODUCTION, USE, OR DISCLOSURE OF INFORMATION CONTAINED HEREIN WITHOUT PRIOR WRITTEN CONSENT OF THE ARCHITECT IS STRICTLY PROHIBITED.
 © 2015

PROJECT NO. 15-054
 ISSUE DATE: 12-17-15
 DRAWN BY: AT/SM
 REVIEWED BY: RM
 PROJECT ARCHITECT:
 GABRIEL DURAND-HOLLIS, FAIA
 TEXAS LICENSE NO. 10881

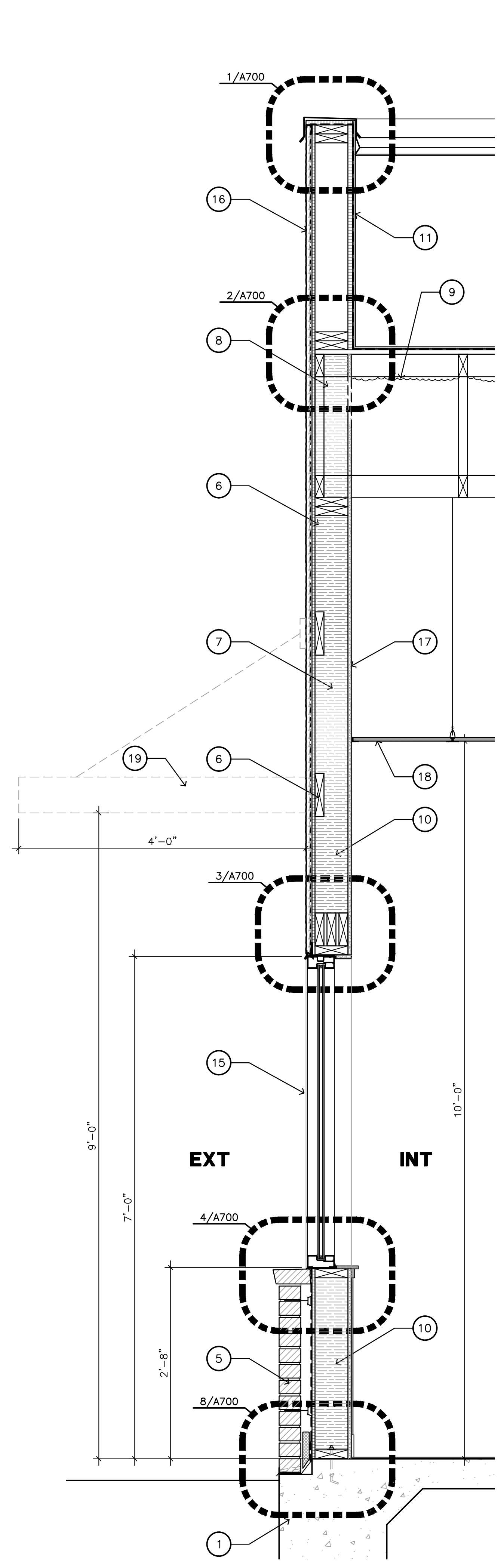
A400



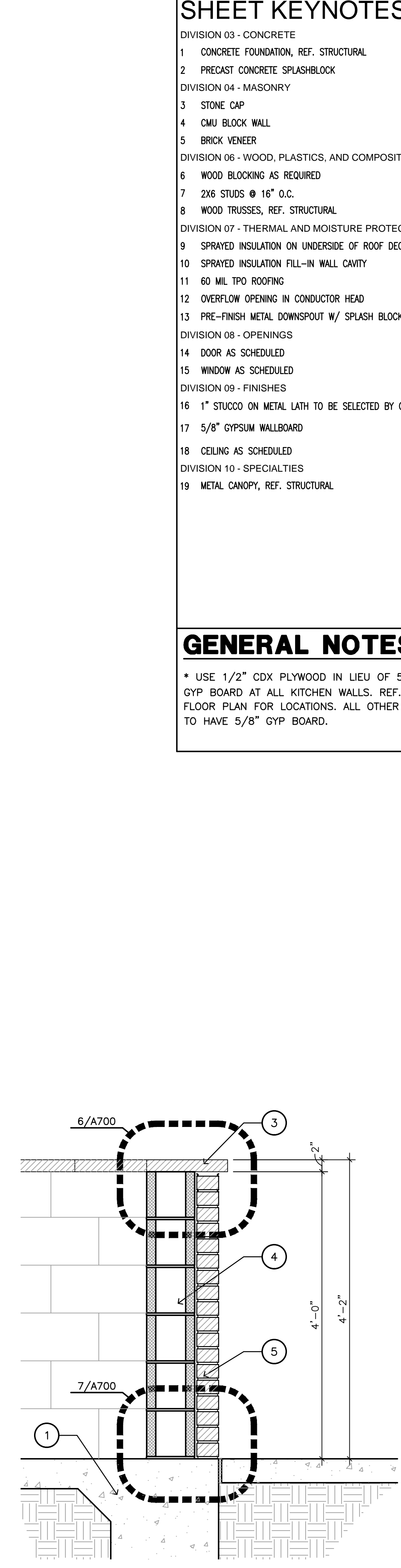
1 WALL SECTION
 SCALE: 1" = 1'-0"



2 WALL SECTION
 SCALE: 1" = 1'-0"



3 WALL SECTION
 SCALE: 1" = 1'-0"



4 WALL SECTION
 SCALE: 1" = 1'-0"