

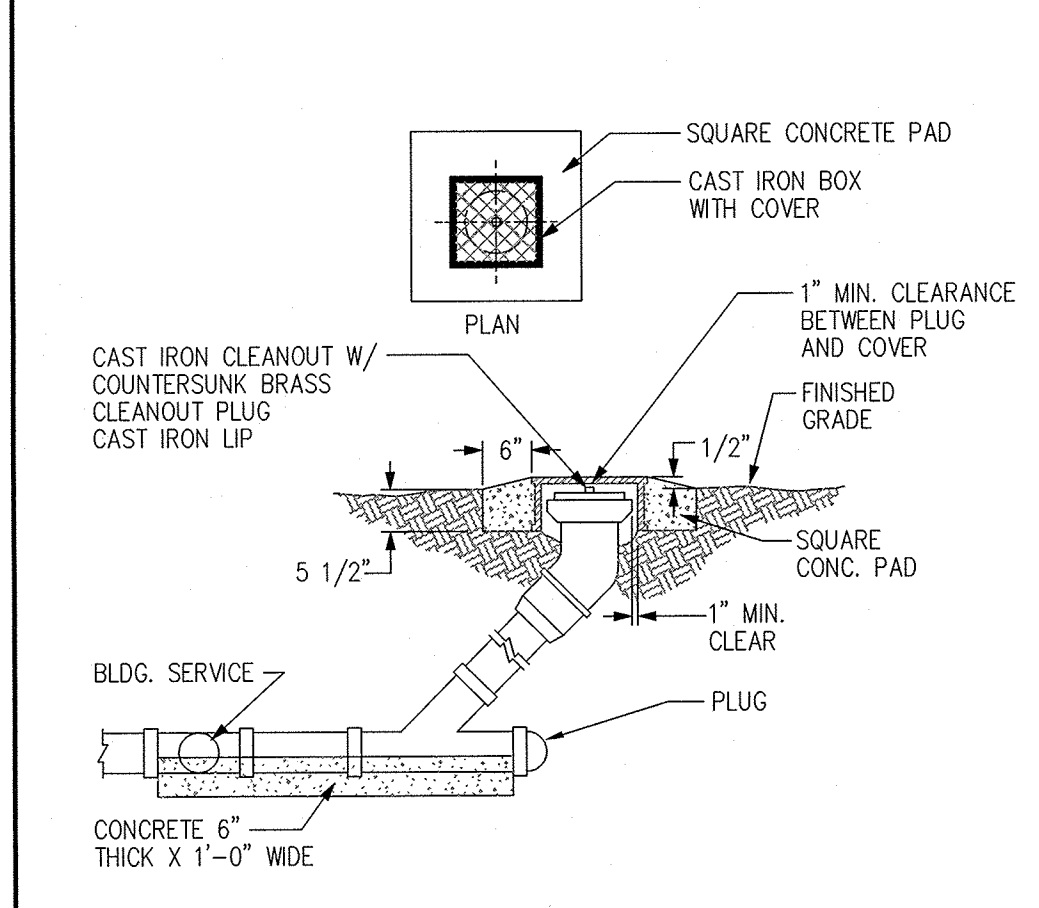
REVISED ISSUE DATES:

BUSH'S CHICKEN
 1550 STATE HWY 46
 BOERNE, TX.

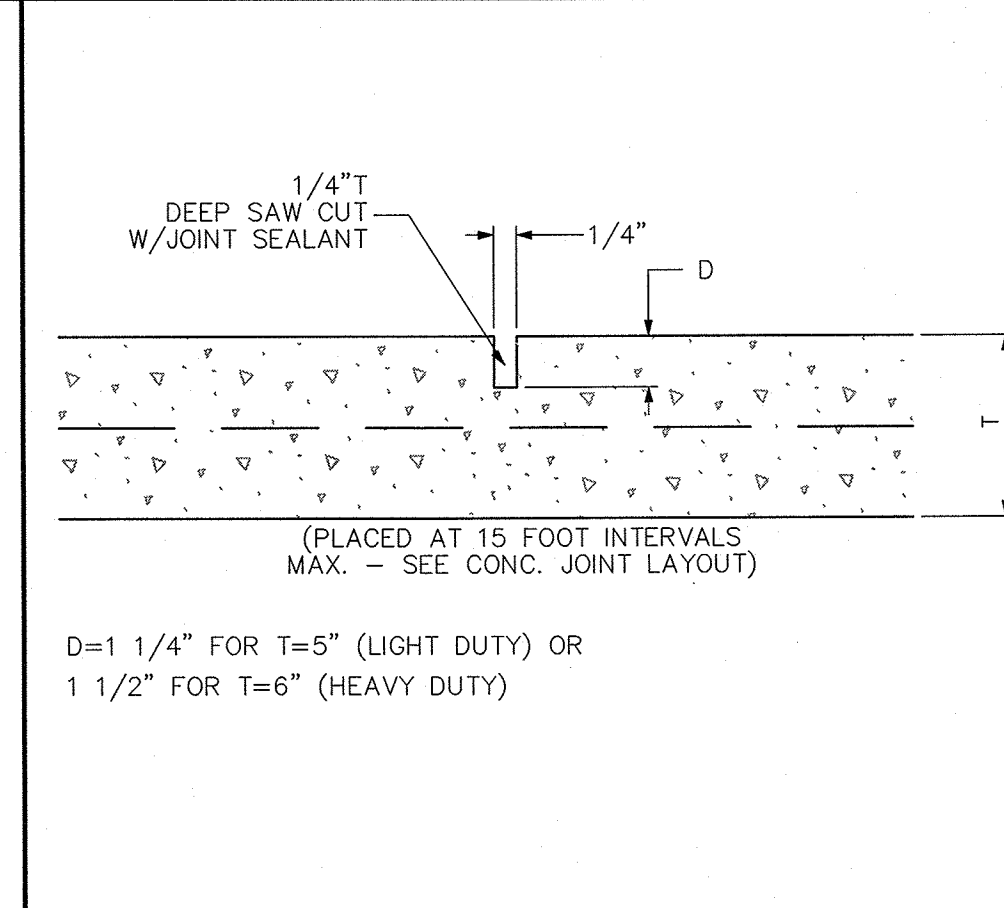
SITE DETAILS



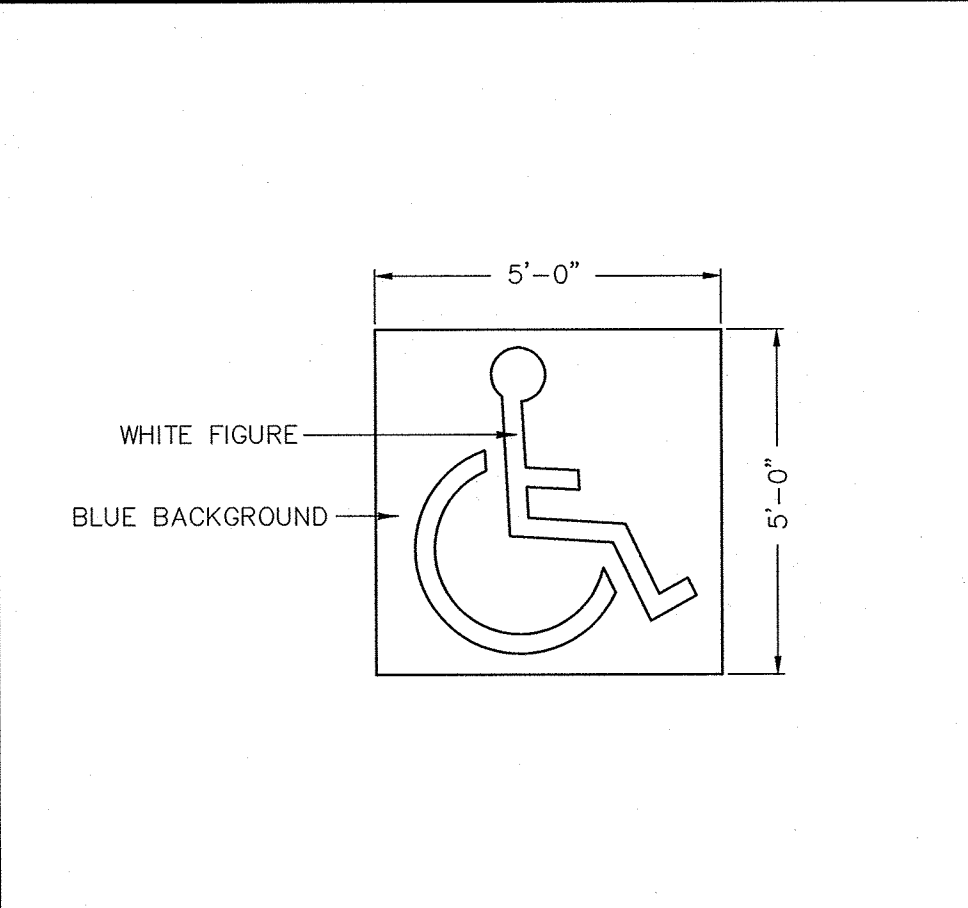
PROJECT NO. 31367-BOERNE
 ISSUE DATE: 06-01-16
 DRAWN BY: RT
 REVIEWED BY: RAL



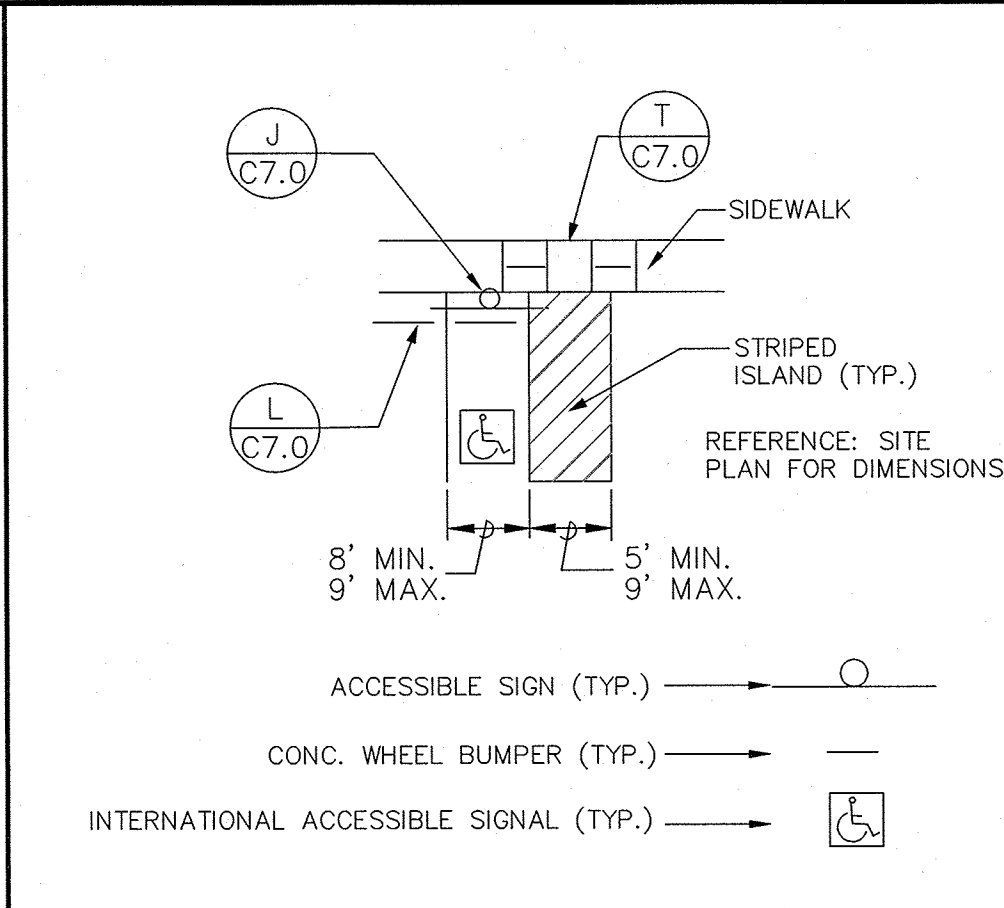
U CLEANOUT DETAIL N.T.S.



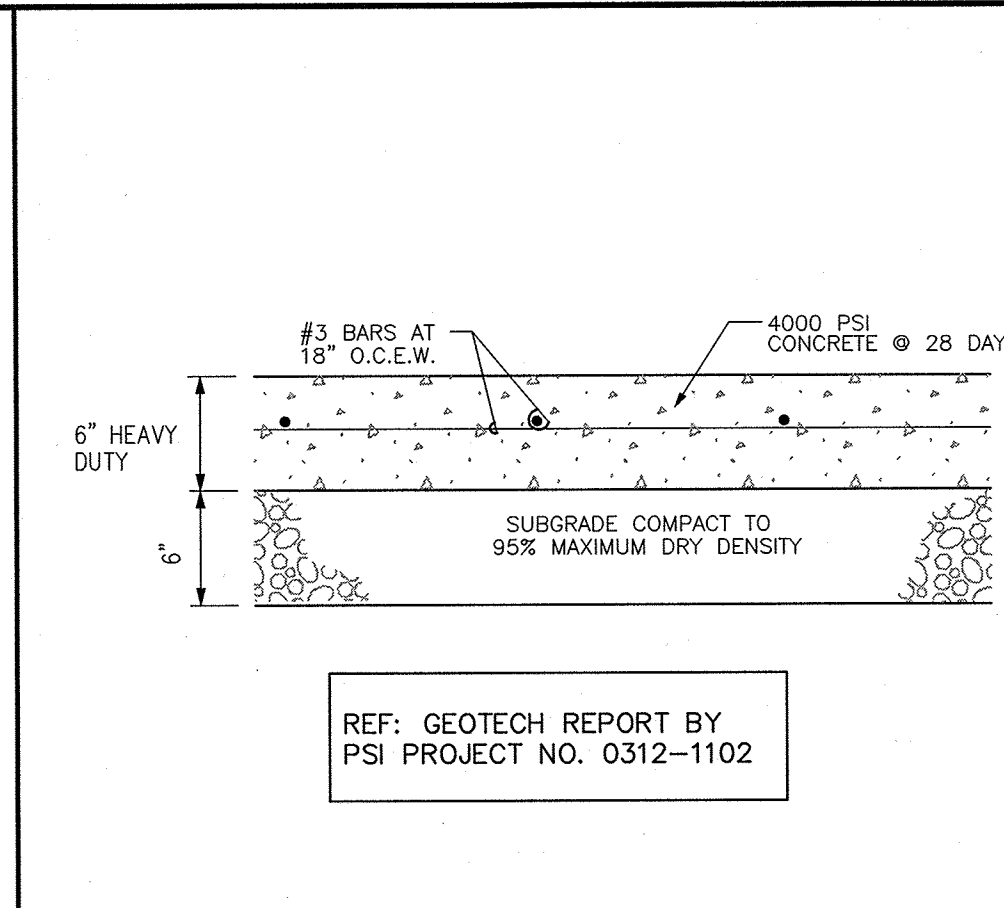
Q CONTROL JOINT N.T.S.



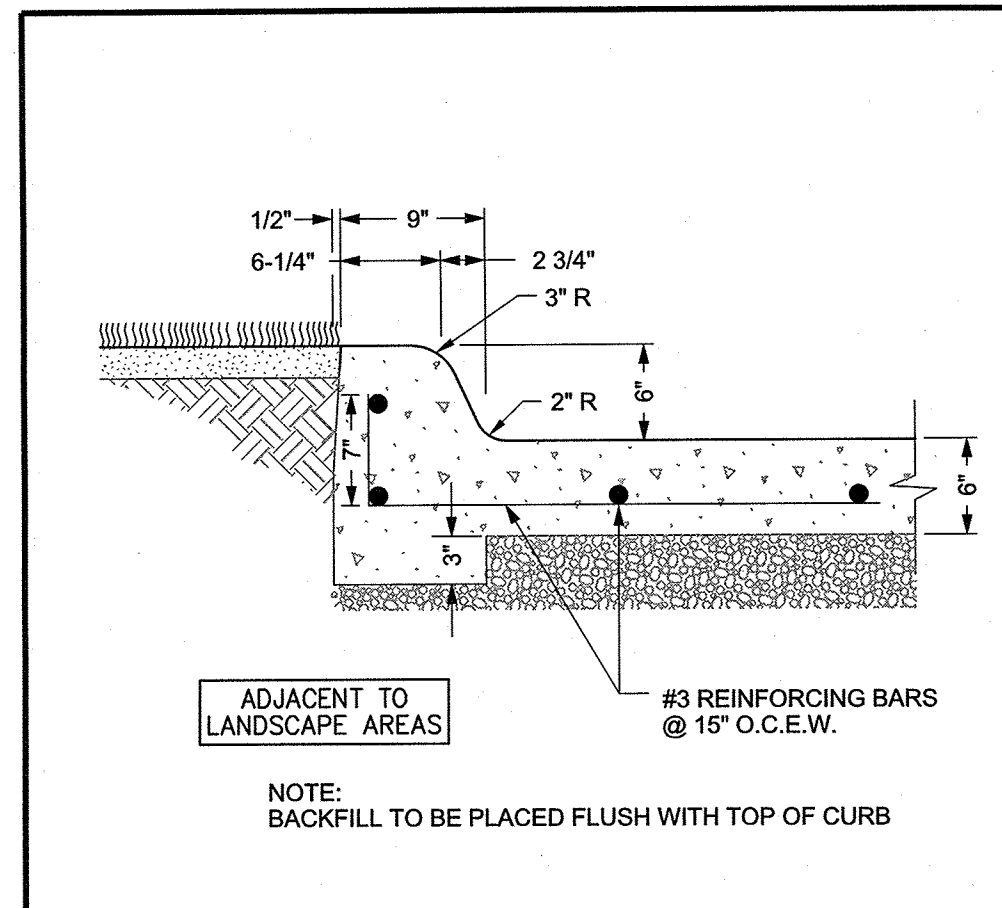
M INTERNATIONAL ACCESSIBLE N.T.S.



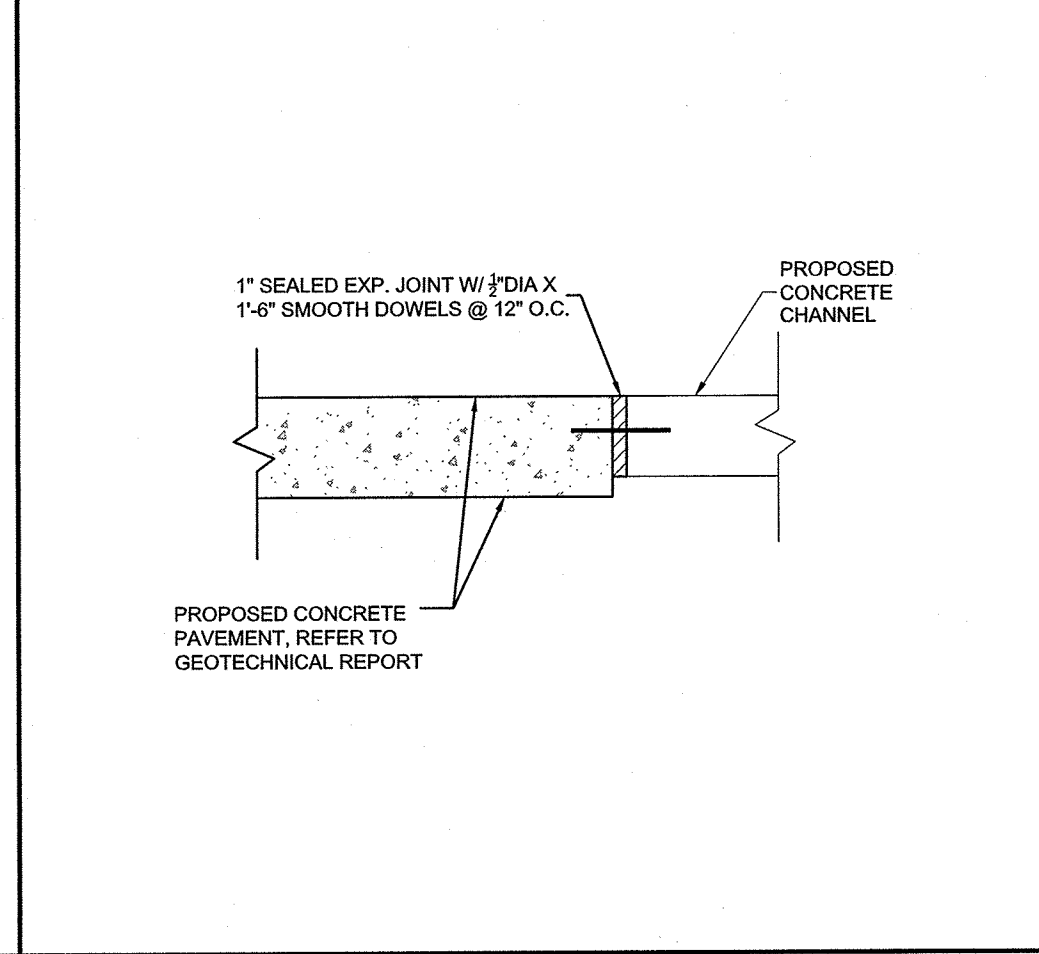
I ACCESSIBLE PARKING DETAIL N.T.S.



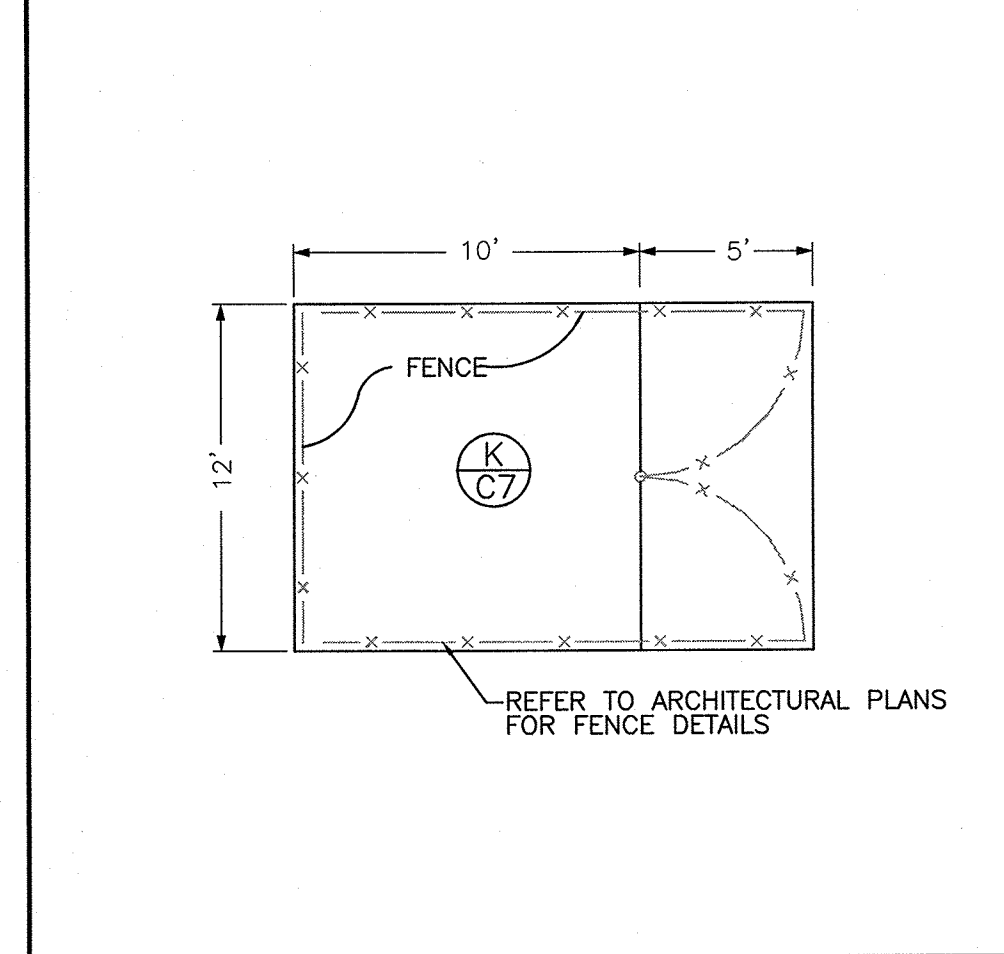
E HEAVY DUTY CONC. PAVEMENT N.T.S.



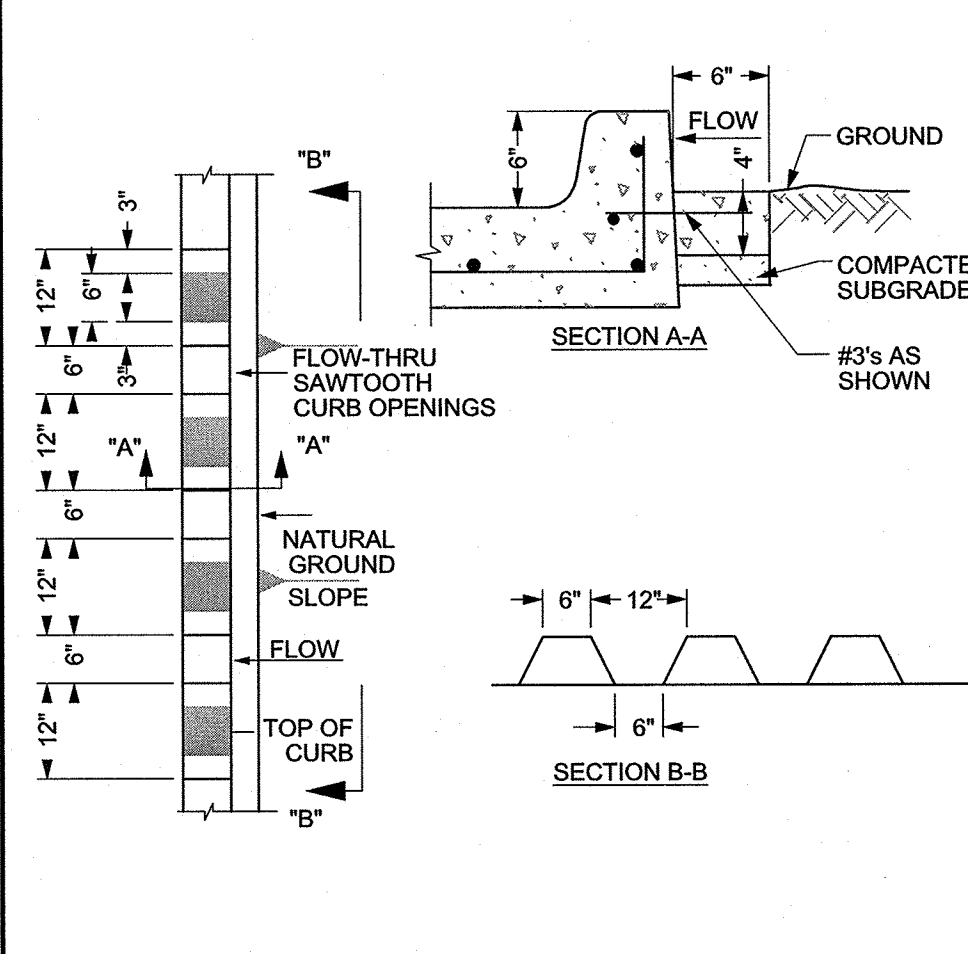
A TYPICAL 6" CURB DETAIL N.T.S.



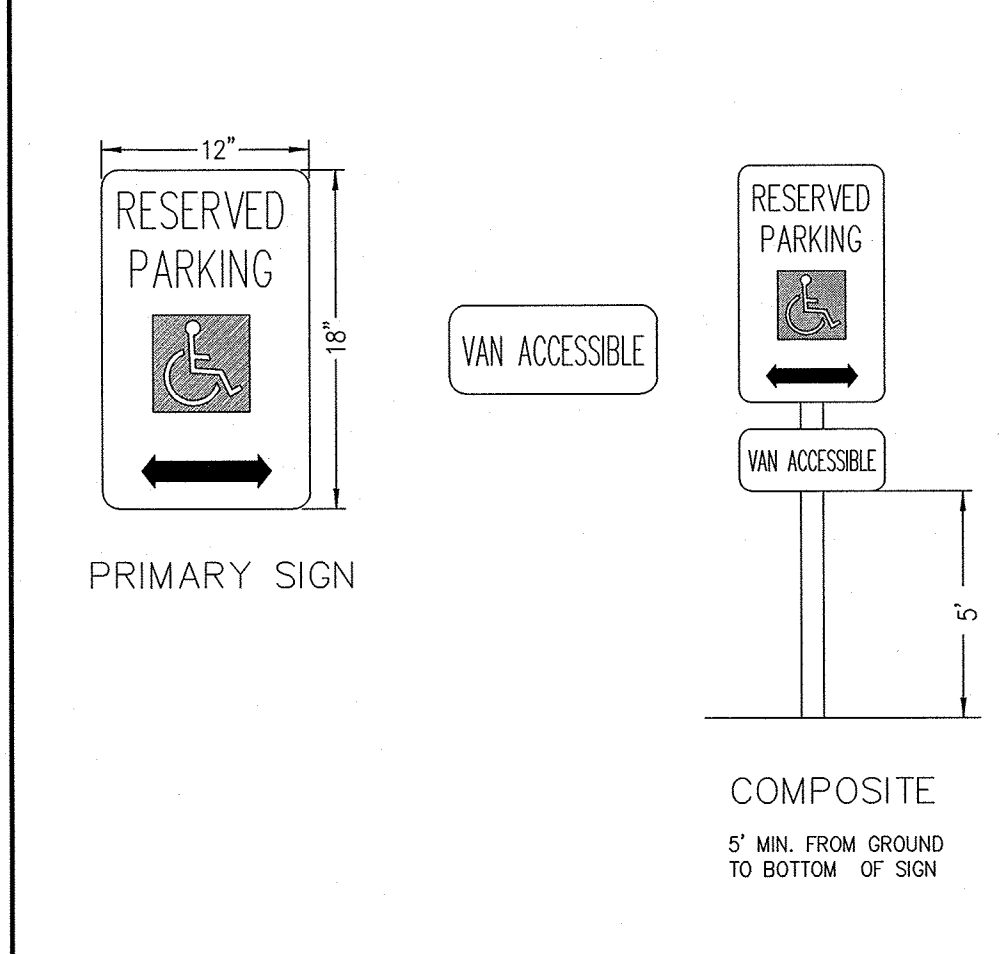
V PROPOSED CONCRETE PAVEMENT JOINT SECTION N.T.S.



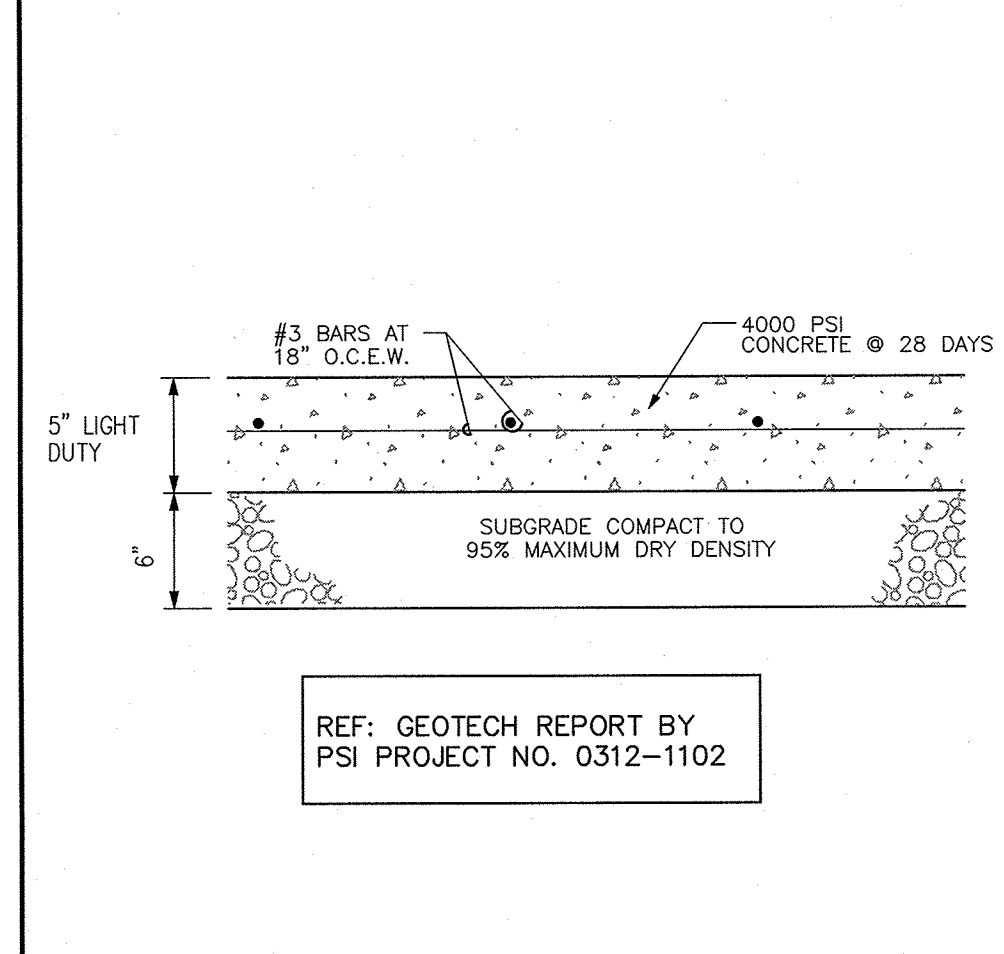
R DUMPSTER PAD PLAN N.T.S.



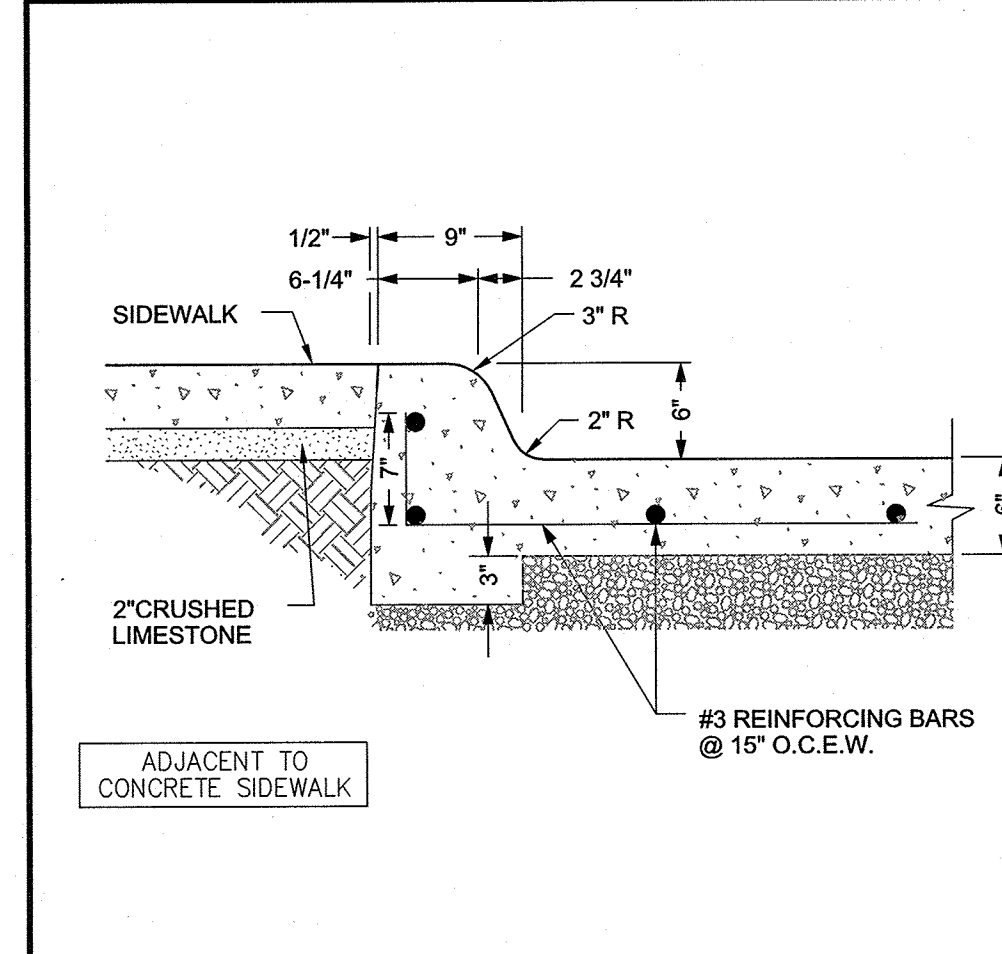
N SAW-TOOTH CURB DETAIL N.T.S.



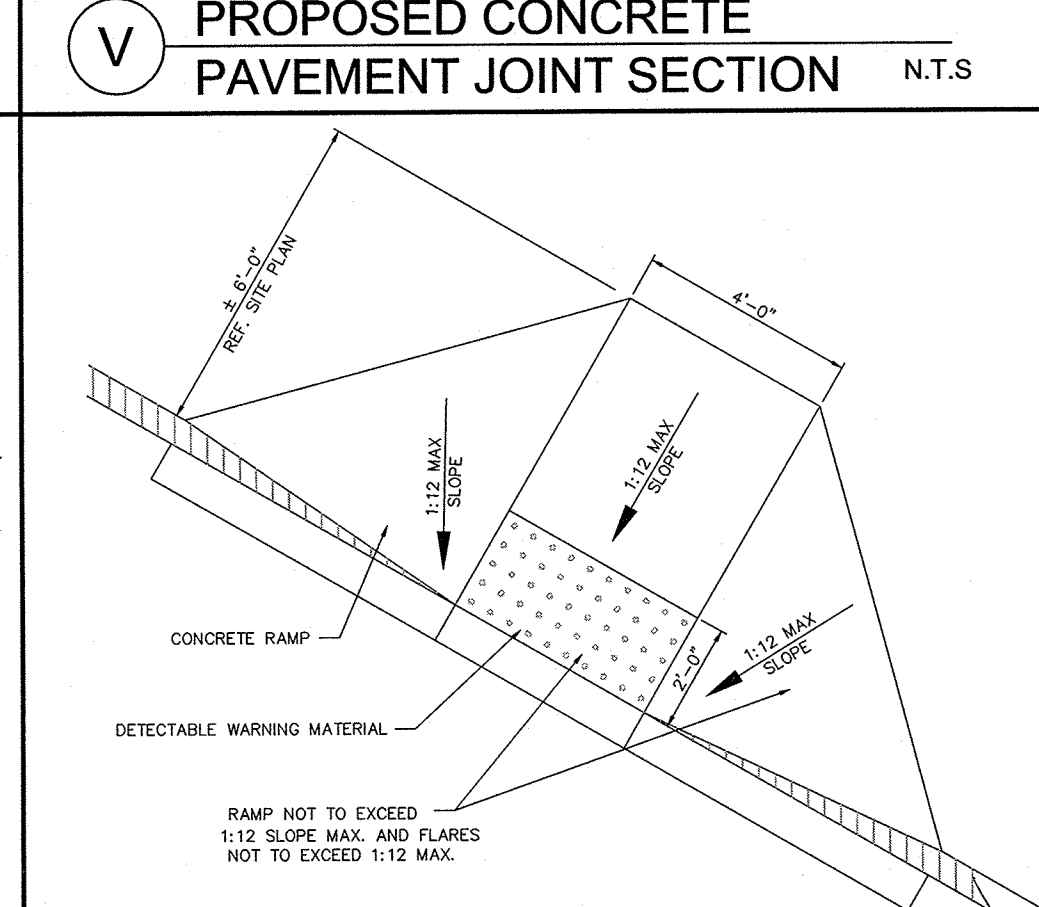
J SIGNAGE FOR ACCESSIBLE PARKING N.T.S.



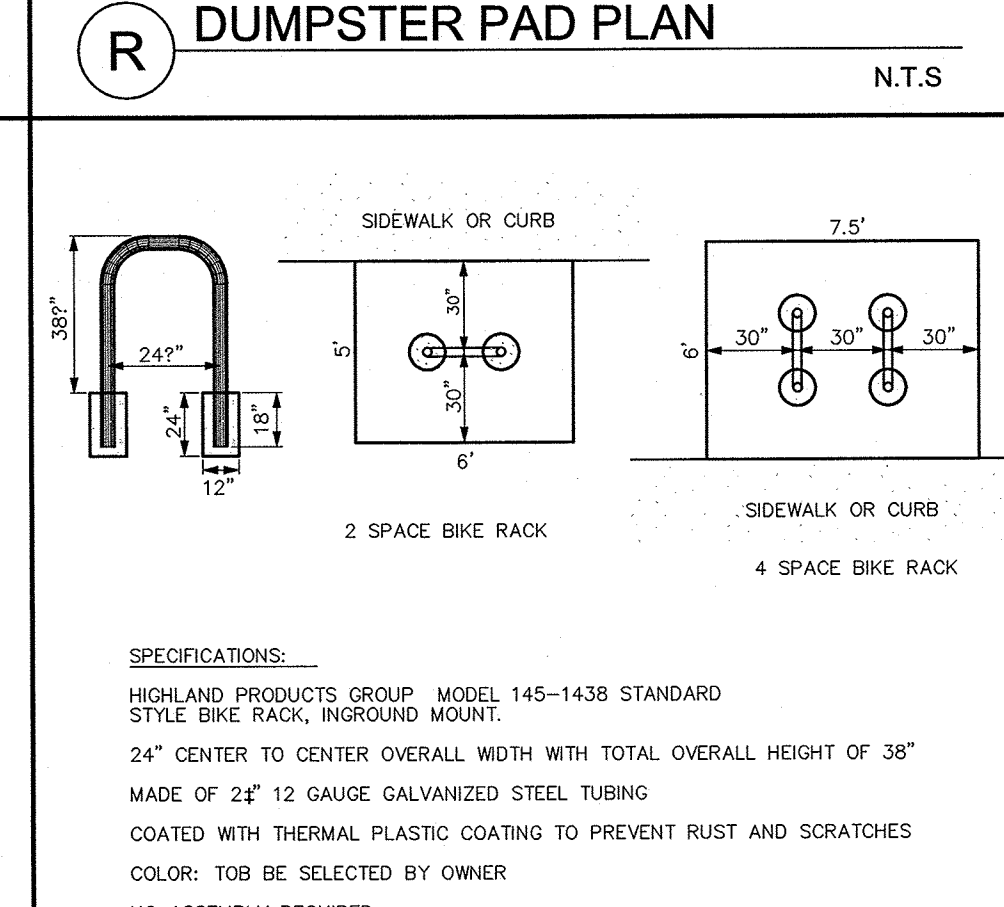
F LIGHT DUTY CONC. PAVEMENT N.T.S.



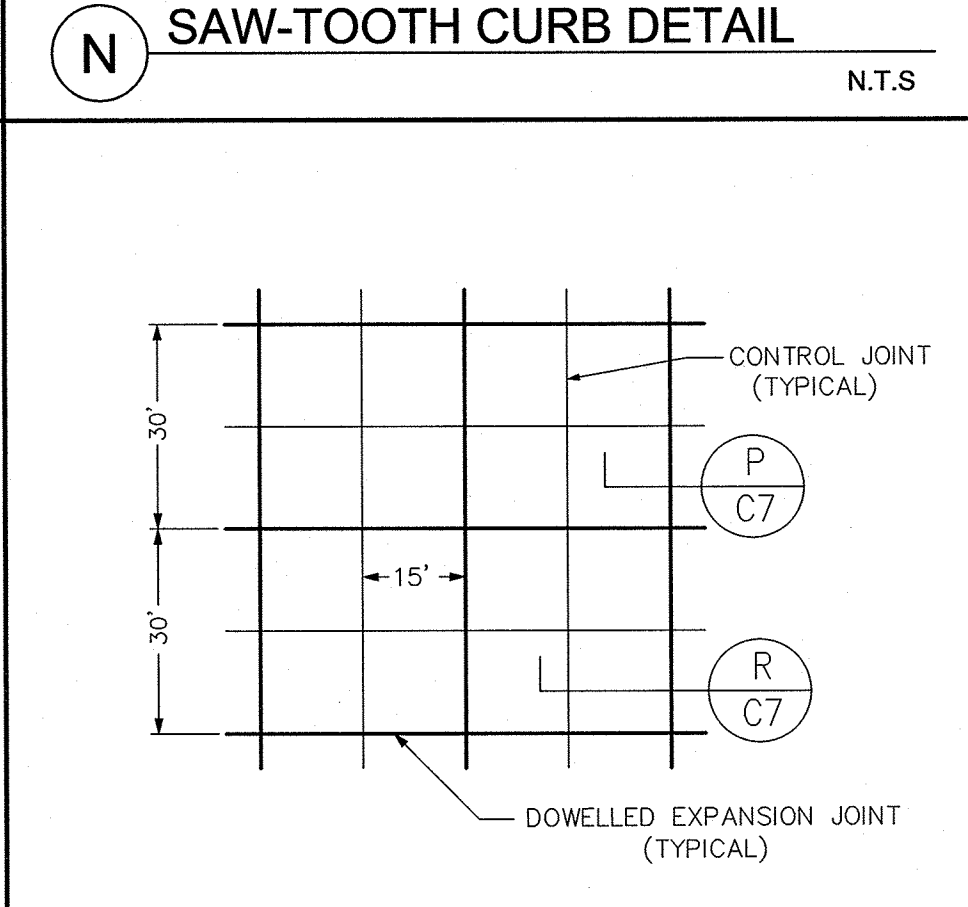
B TYPICAL 6" CURB DETAIL N.T.S.



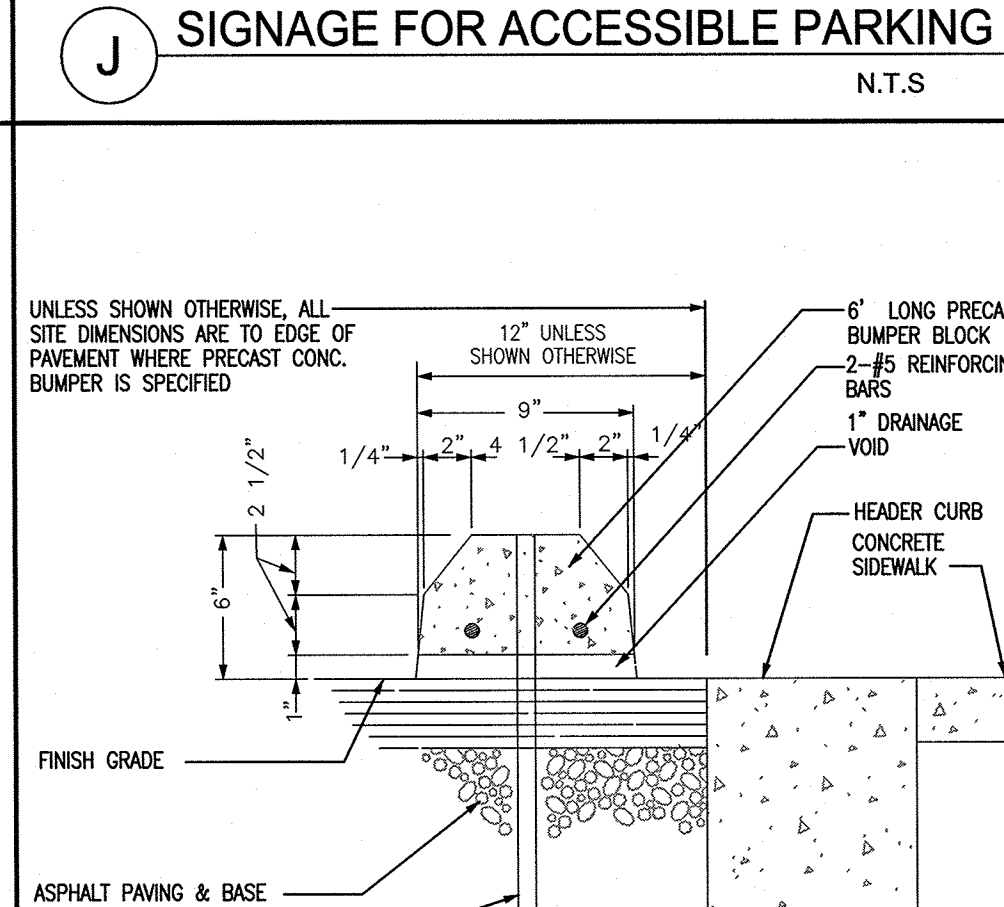
W ACCESSIBLE RAMP N.T.S.



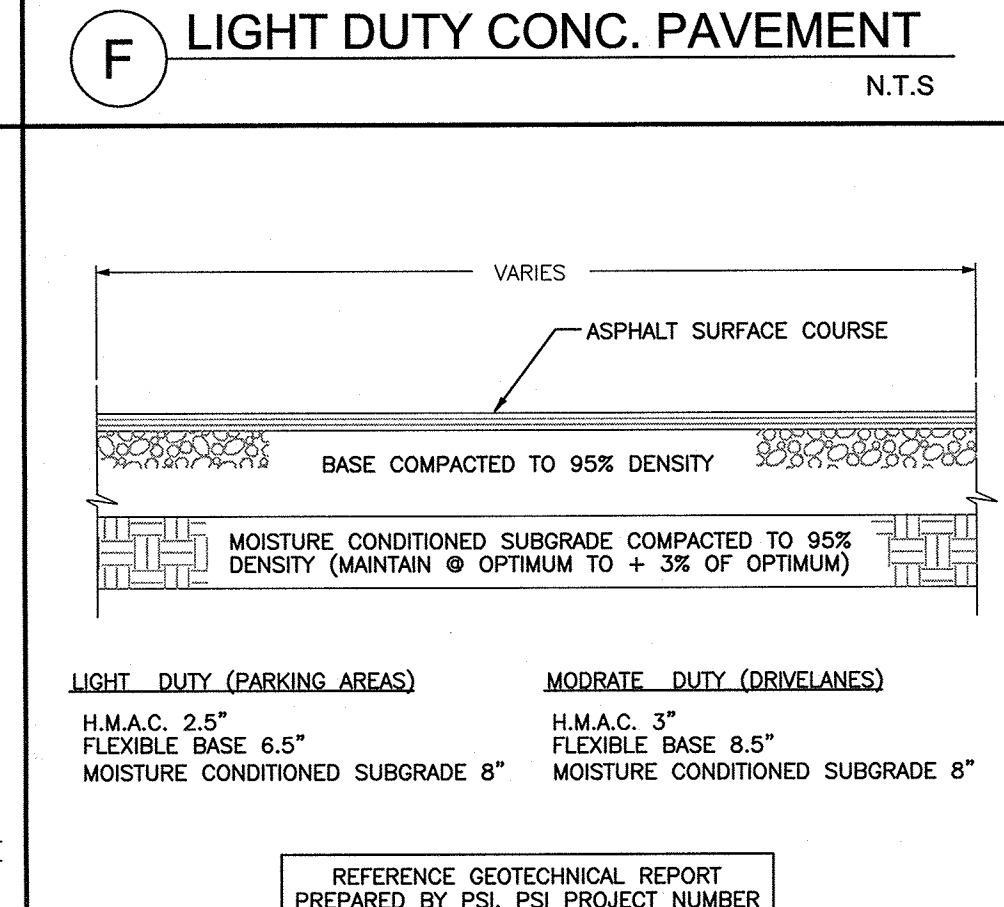
S BICYCLE RACK DETAIL N.T.S.



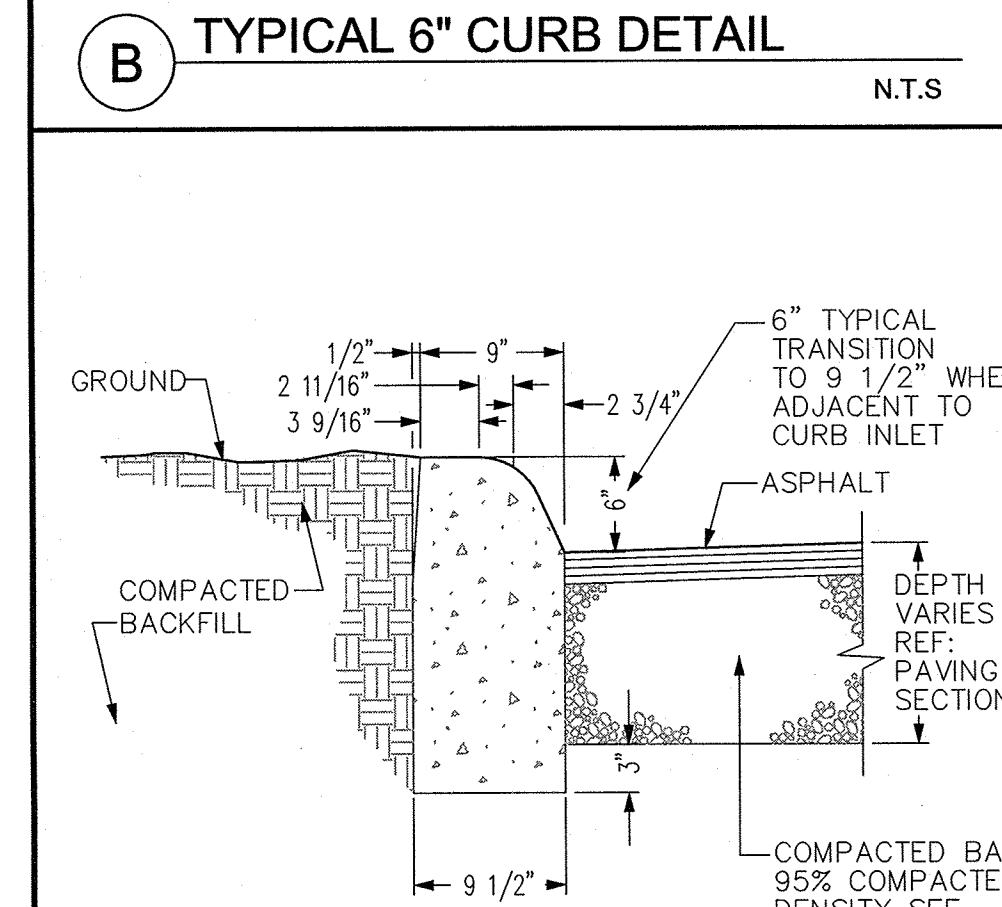
O TYPICAL JOINT LAYOUT N.T.S.



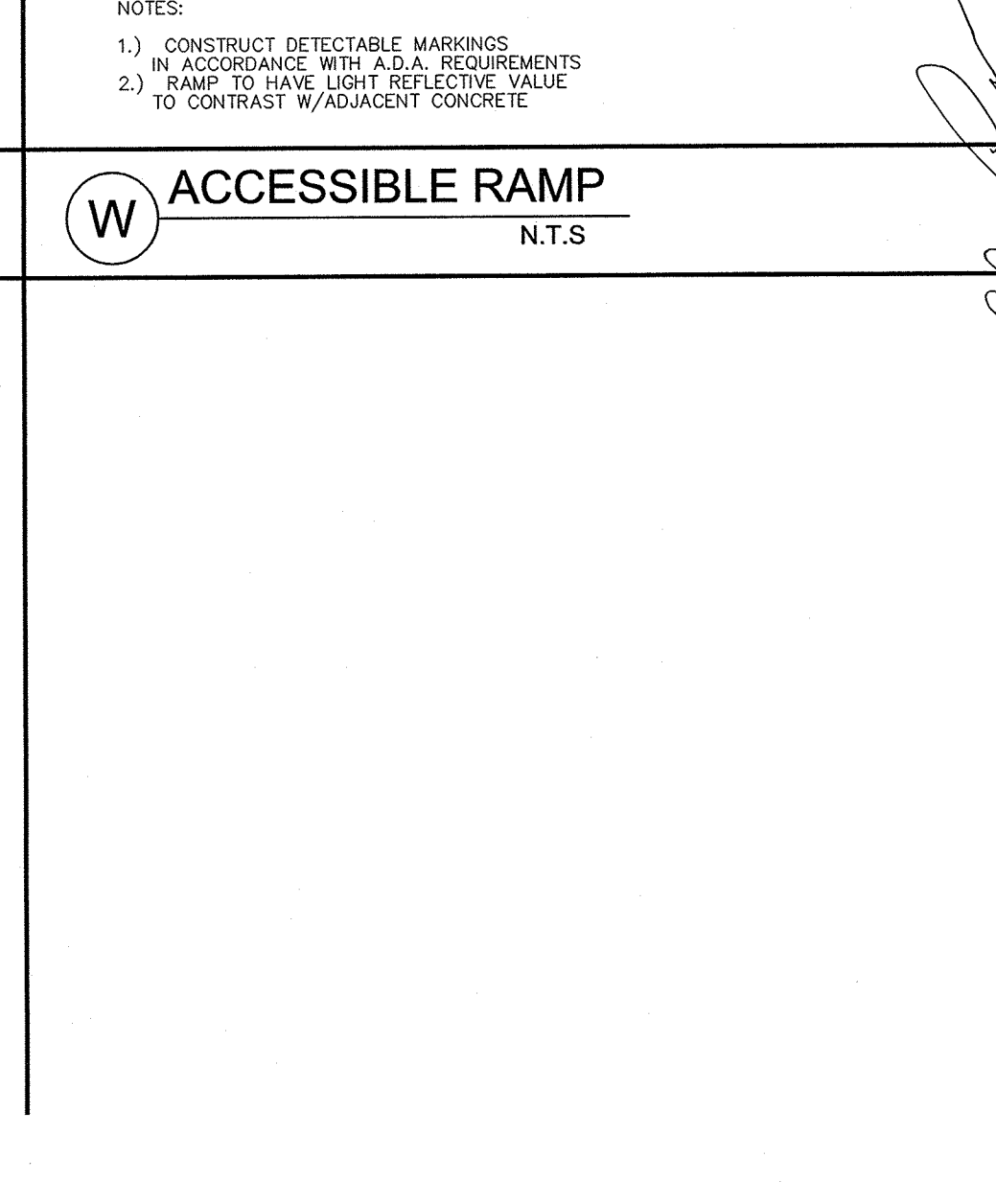
K PRECAST CONCRETE BUMPER N.T.S.



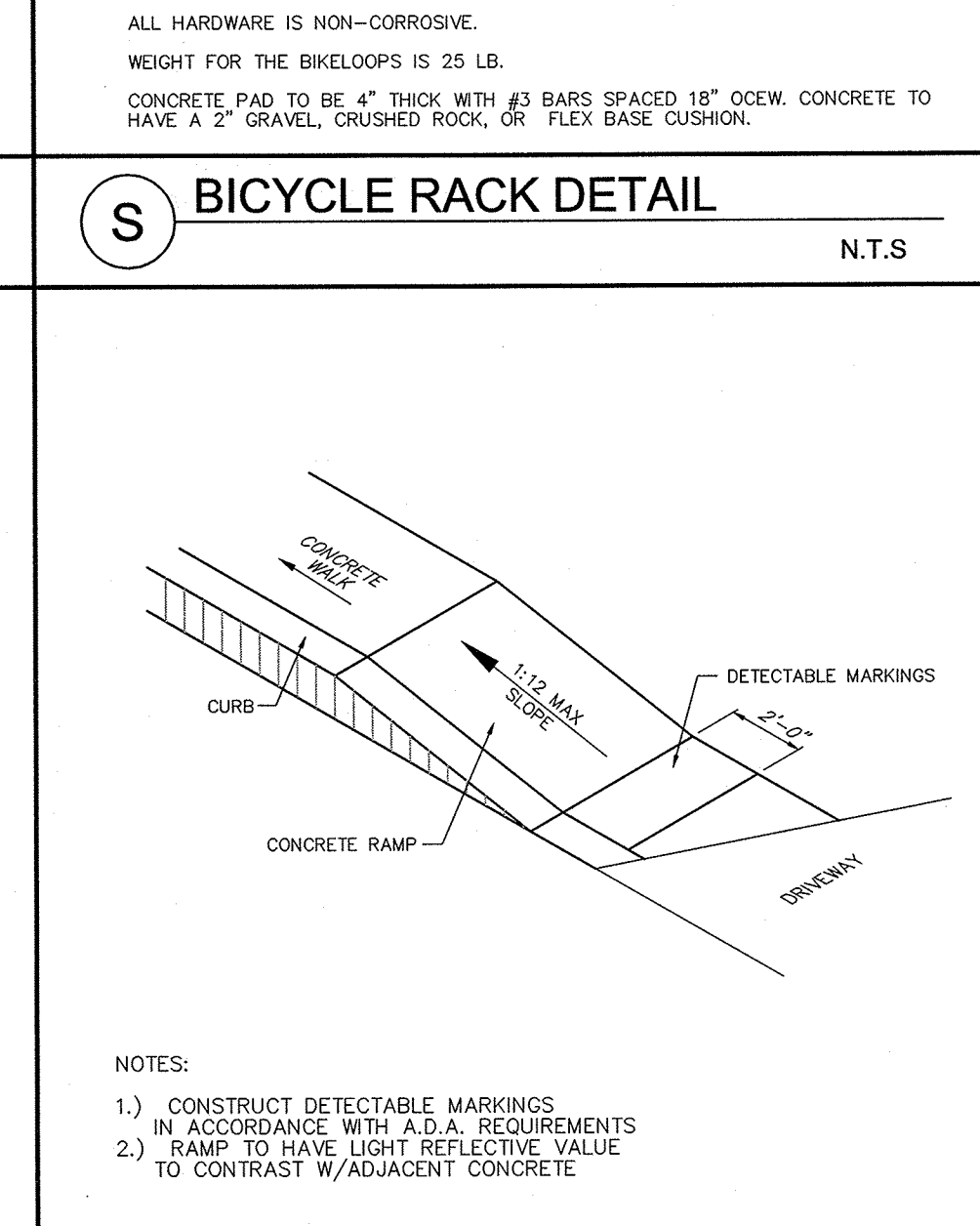
G FLEXIBLE PAVEMENT N.T.S.



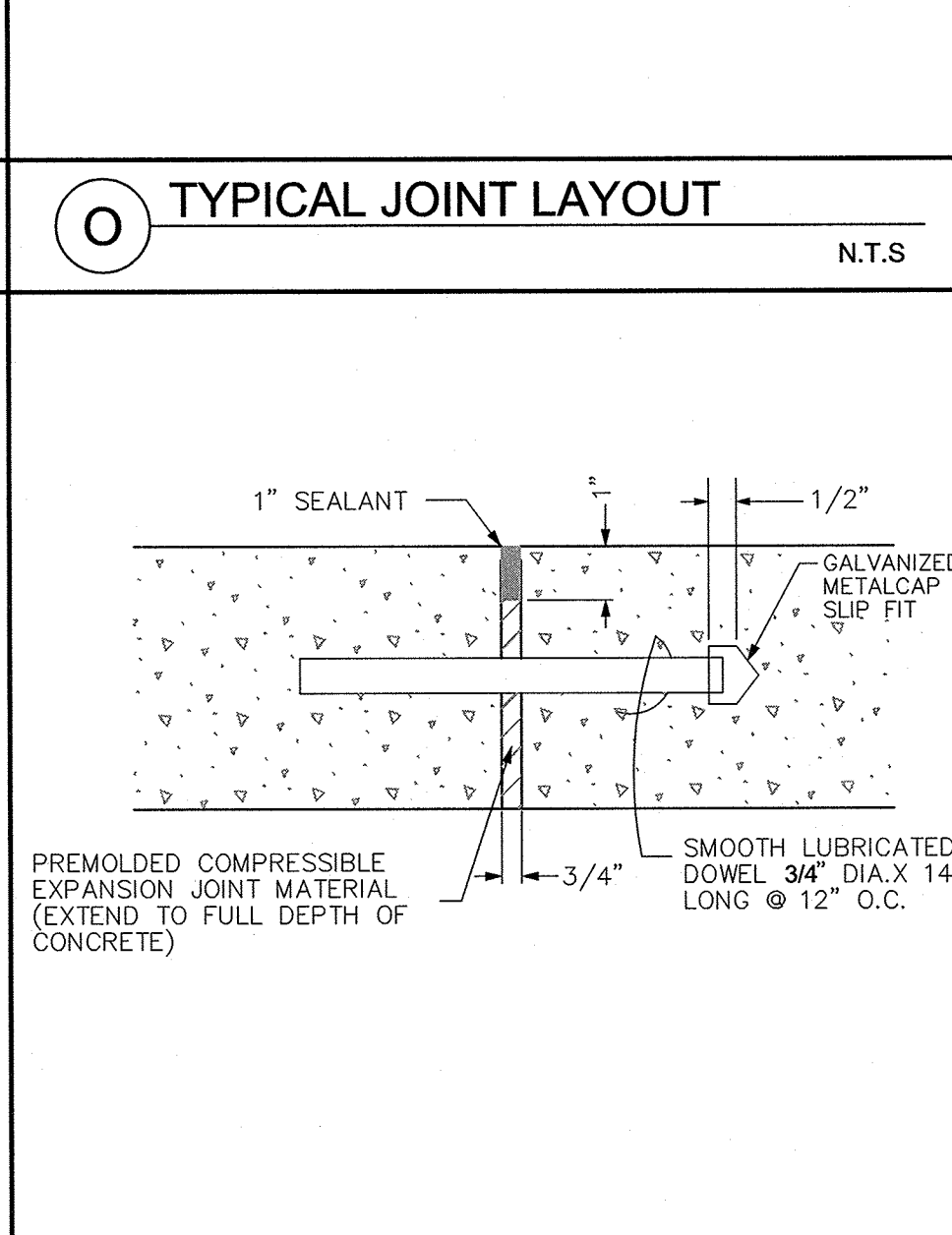
C TYPICAL 6" CURB DETAIL N.T.S.



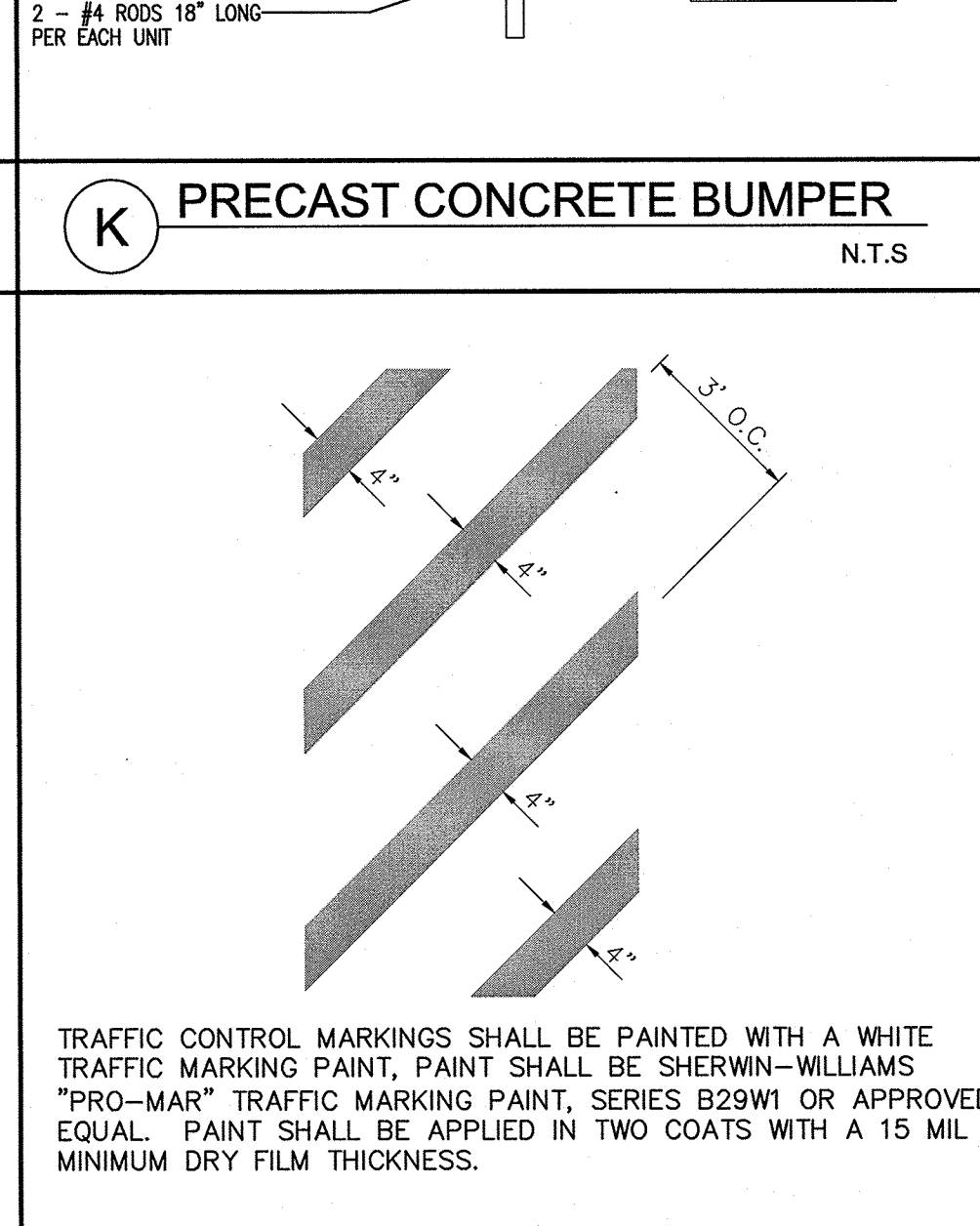
T ACCESSIBLE RAMP DETAIL N.T.S.



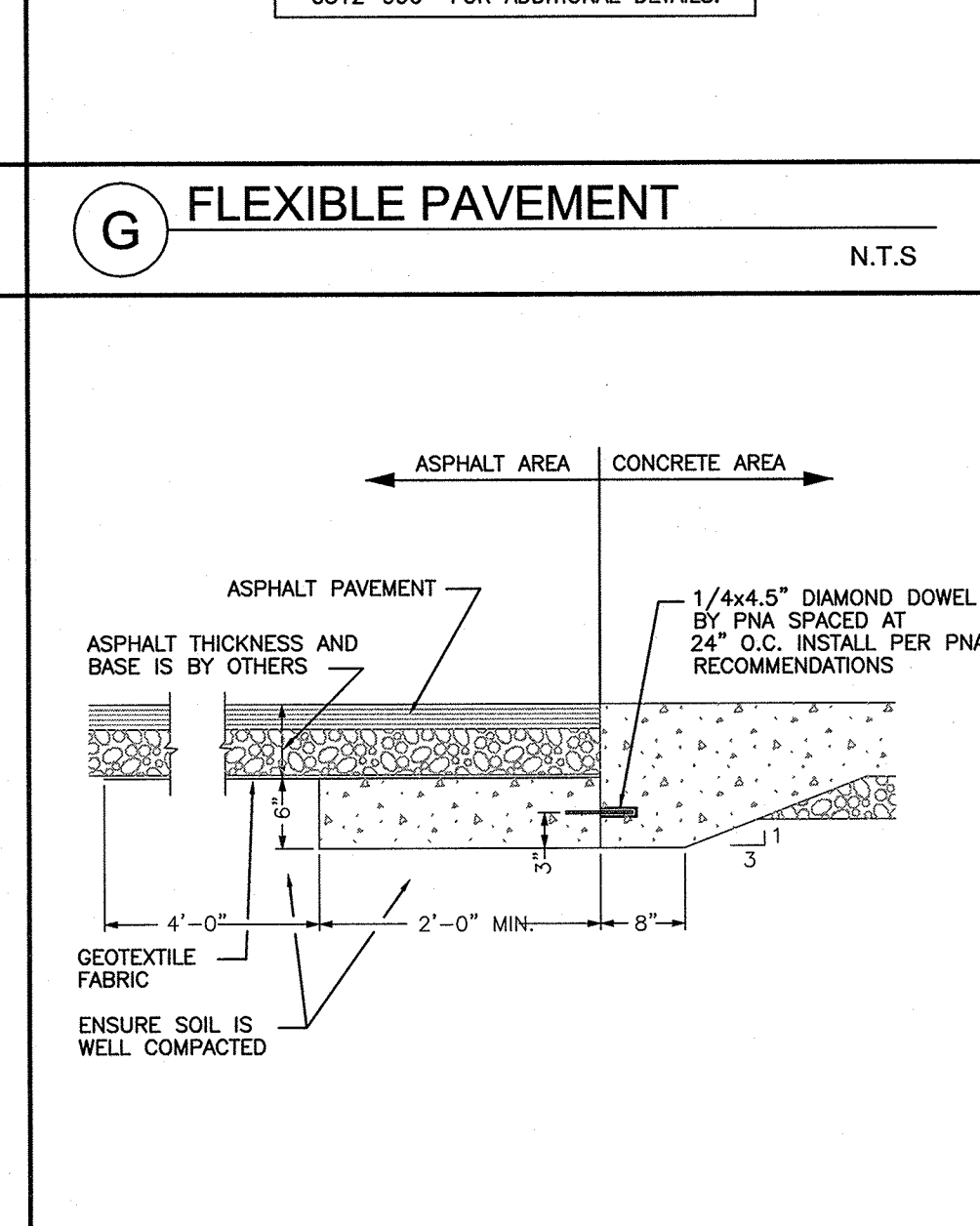
P DOWELLED EXPANSION JOINT N.T.S.



L 4" STRIPING DETAIL N.T.S.



H CONCRETE/ASPHALT TRANSITION N.T.S.



D TYPICAL 6" CURB DETAIL N.T.S.

Date: Jun 01, 2016, 2:04pm User: ID: rmanz Layout: SITE DETAILS File: P:\Borner\31367-Bush's Chicken-Boerne\Design\Detail-1107.dwg Layout: name: SITE DETAILS