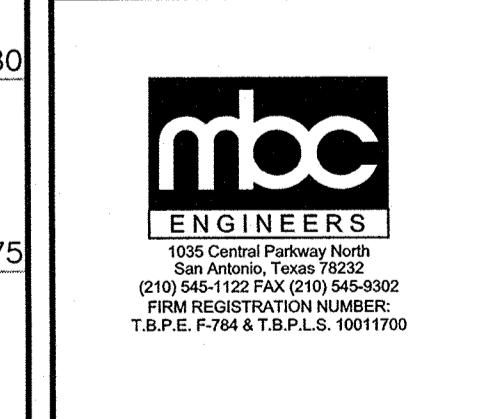
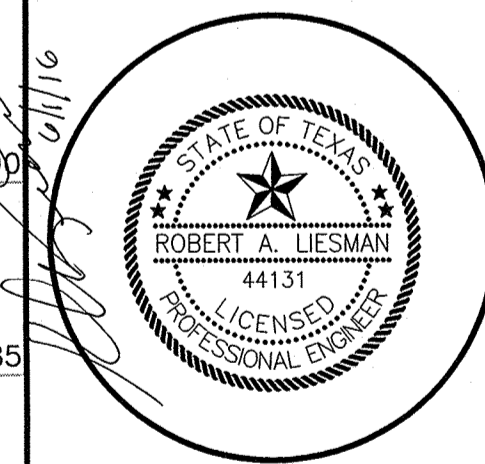


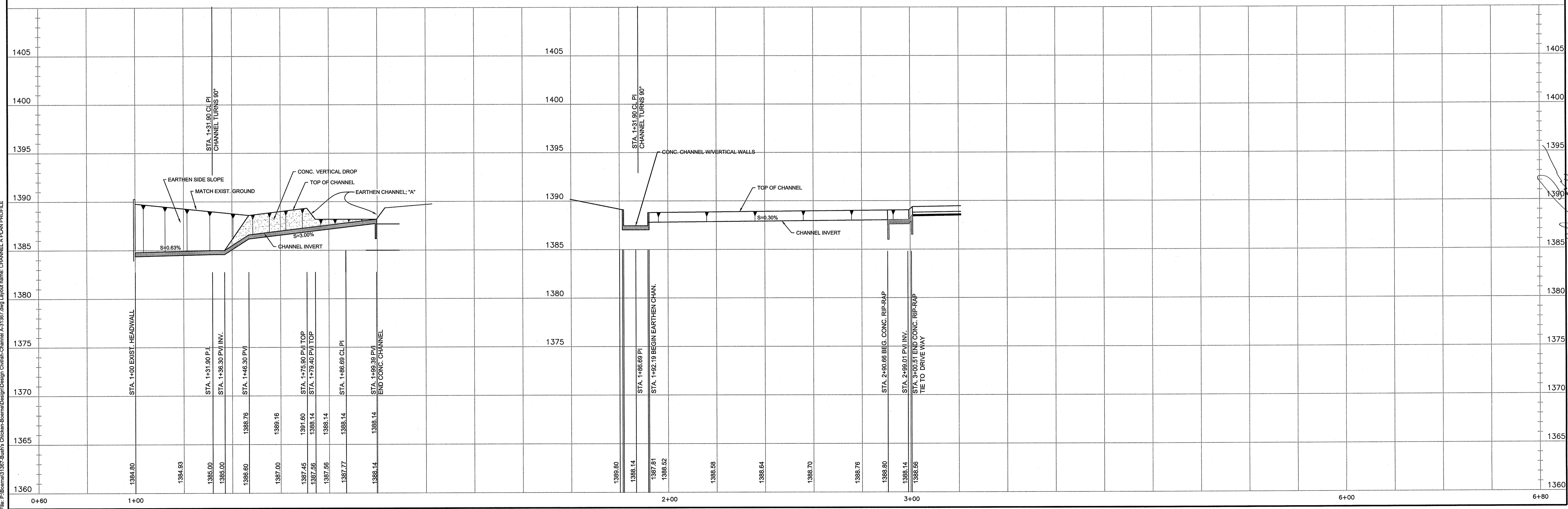
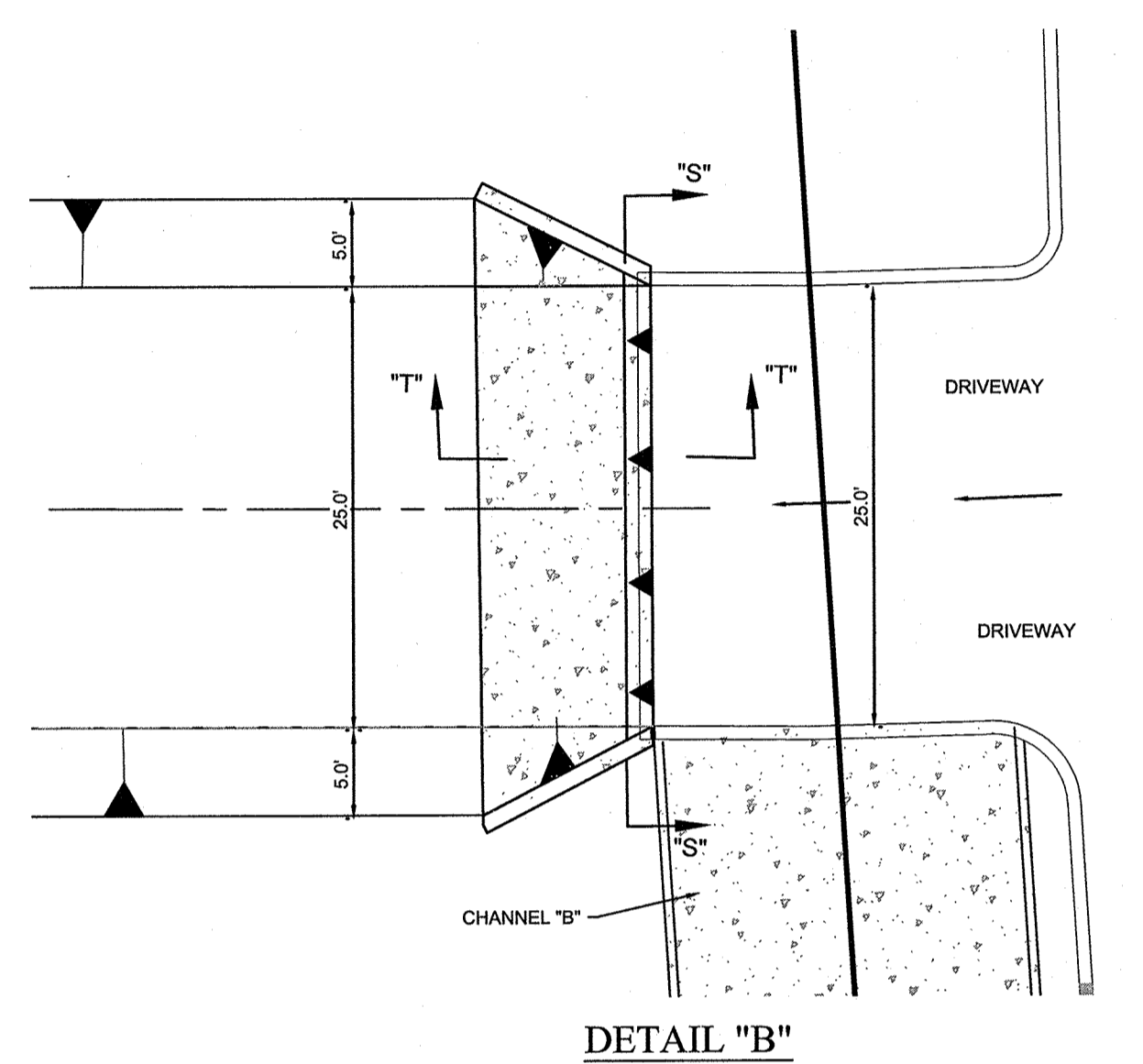
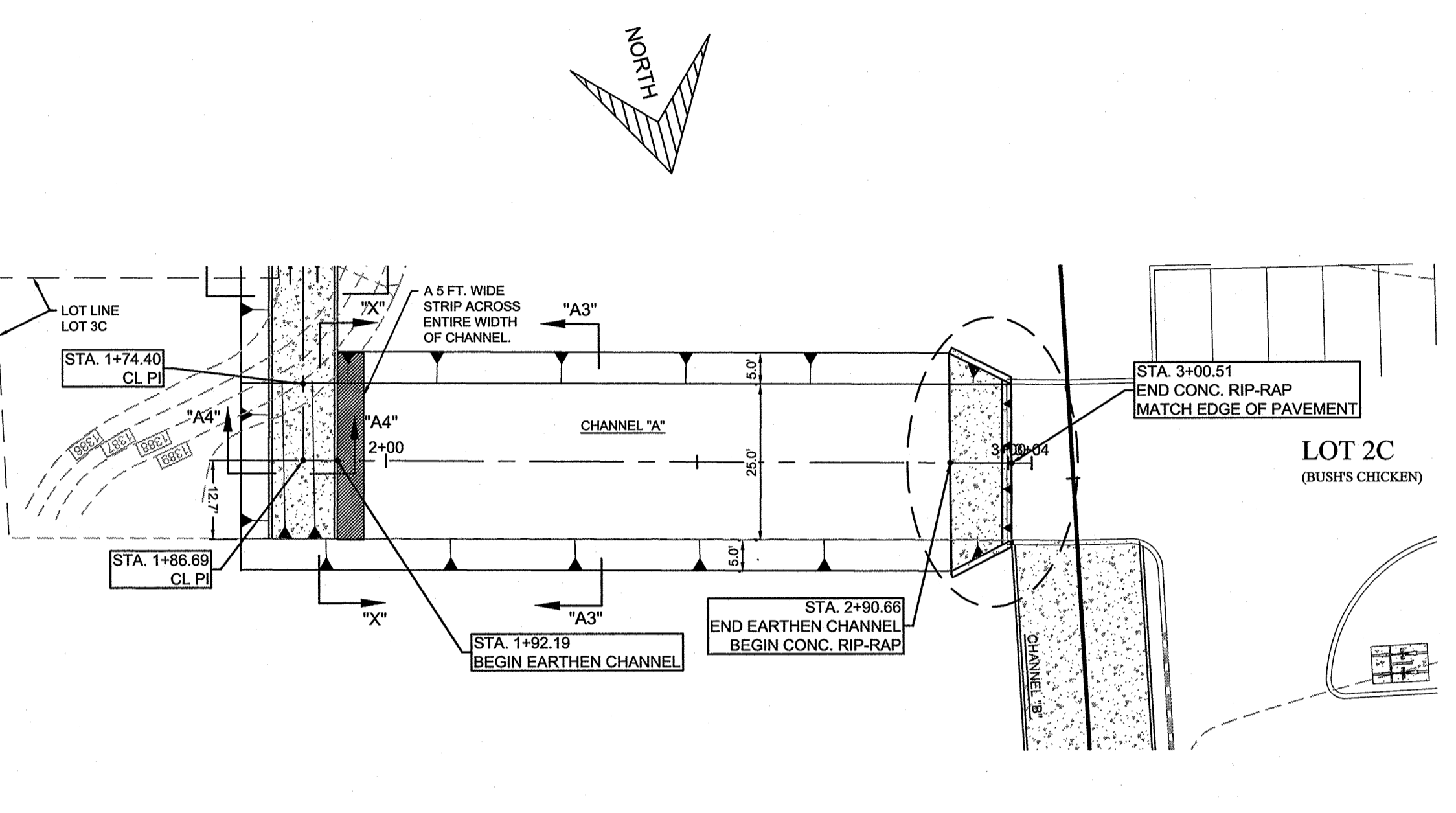
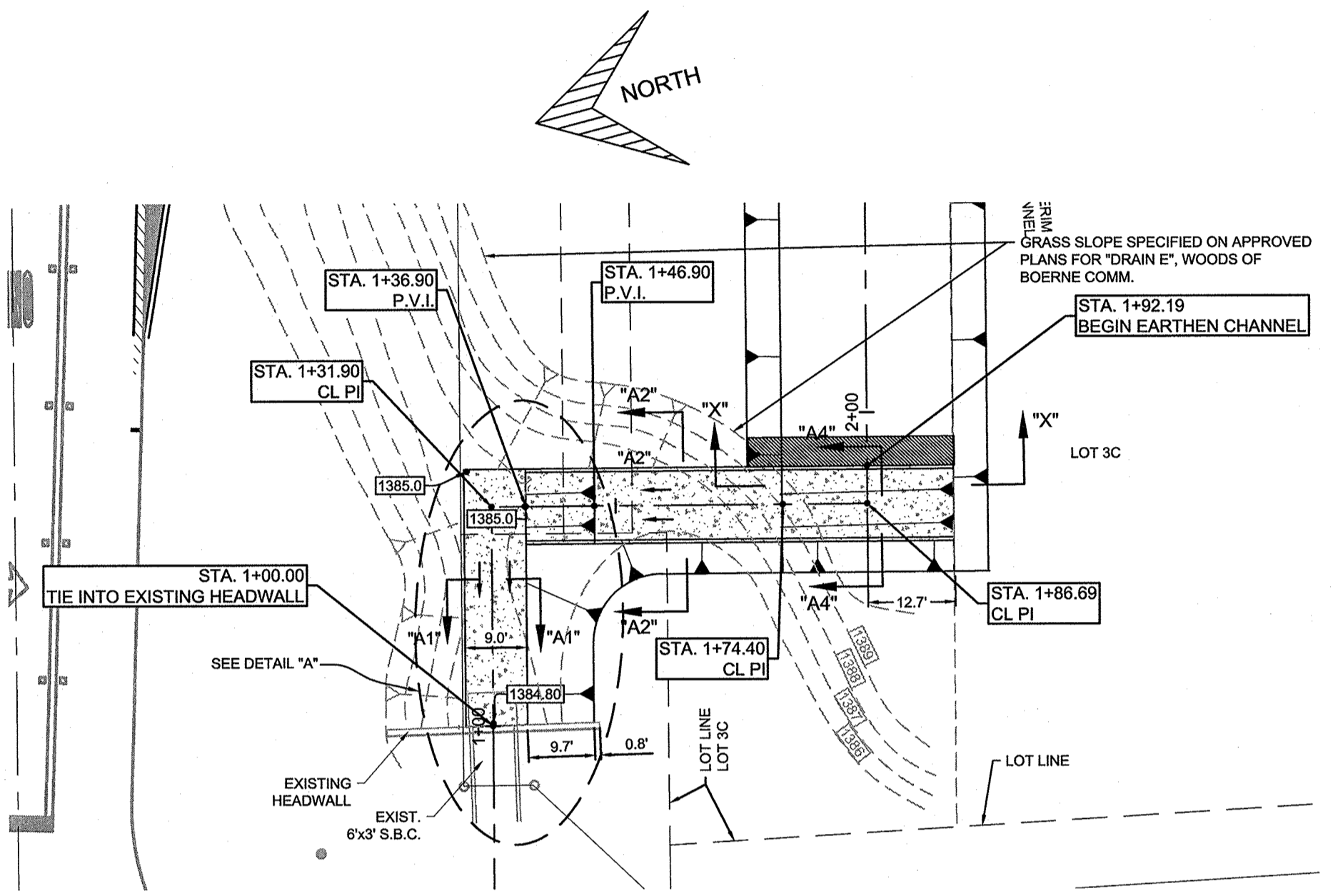
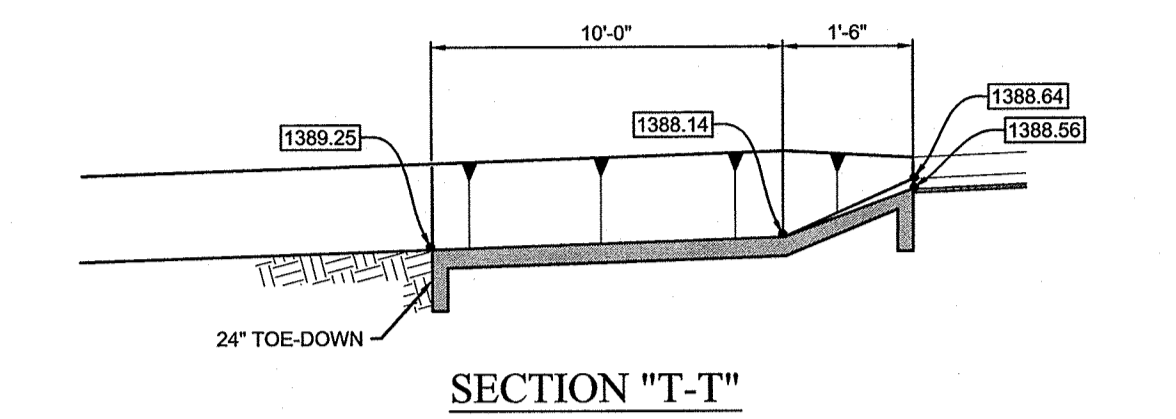
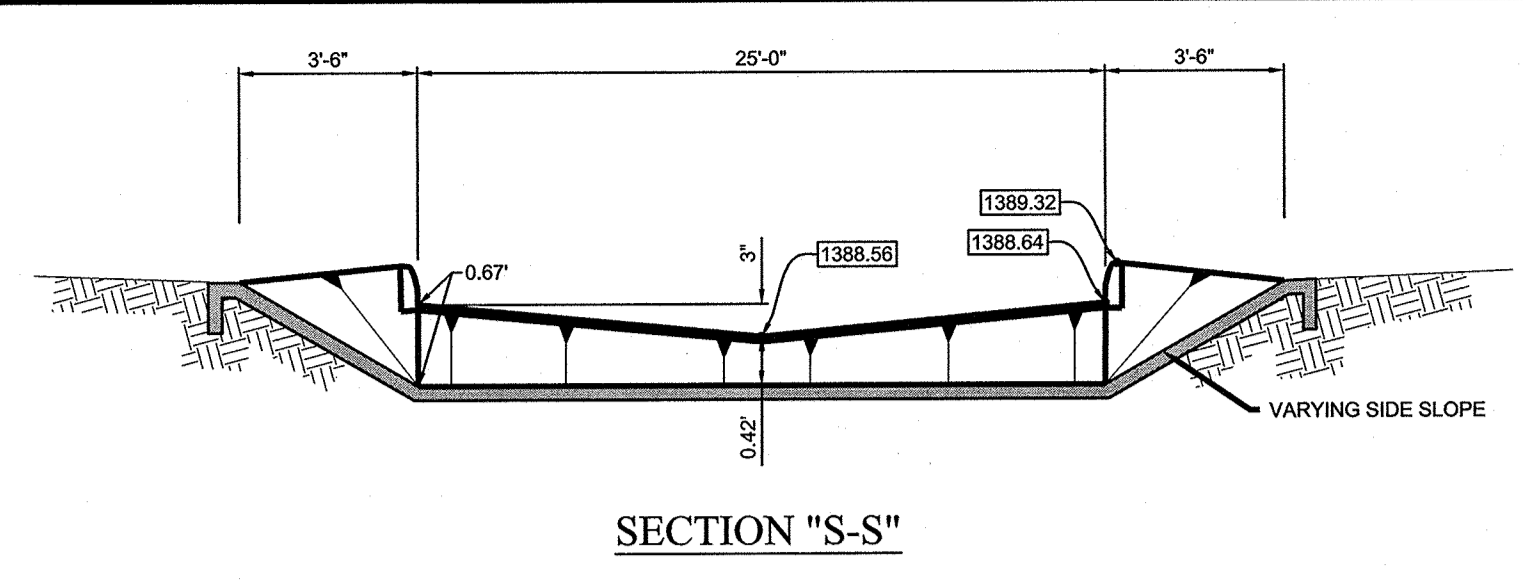
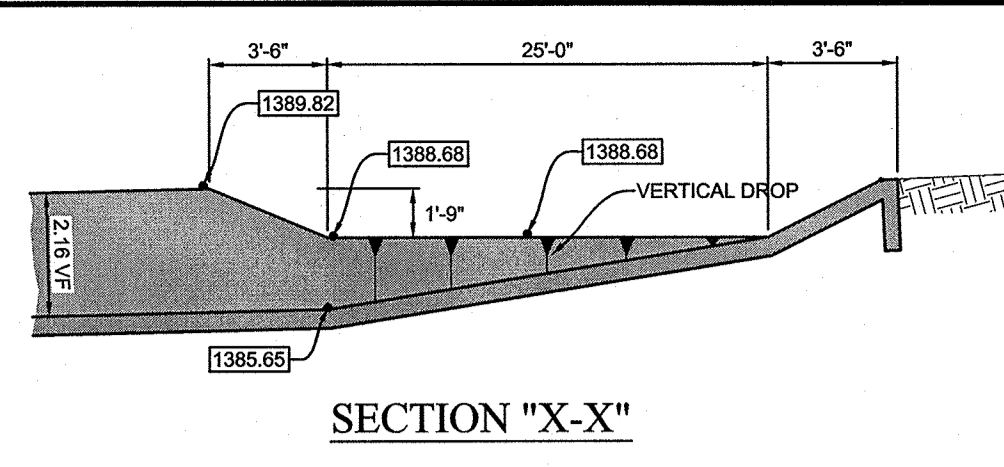
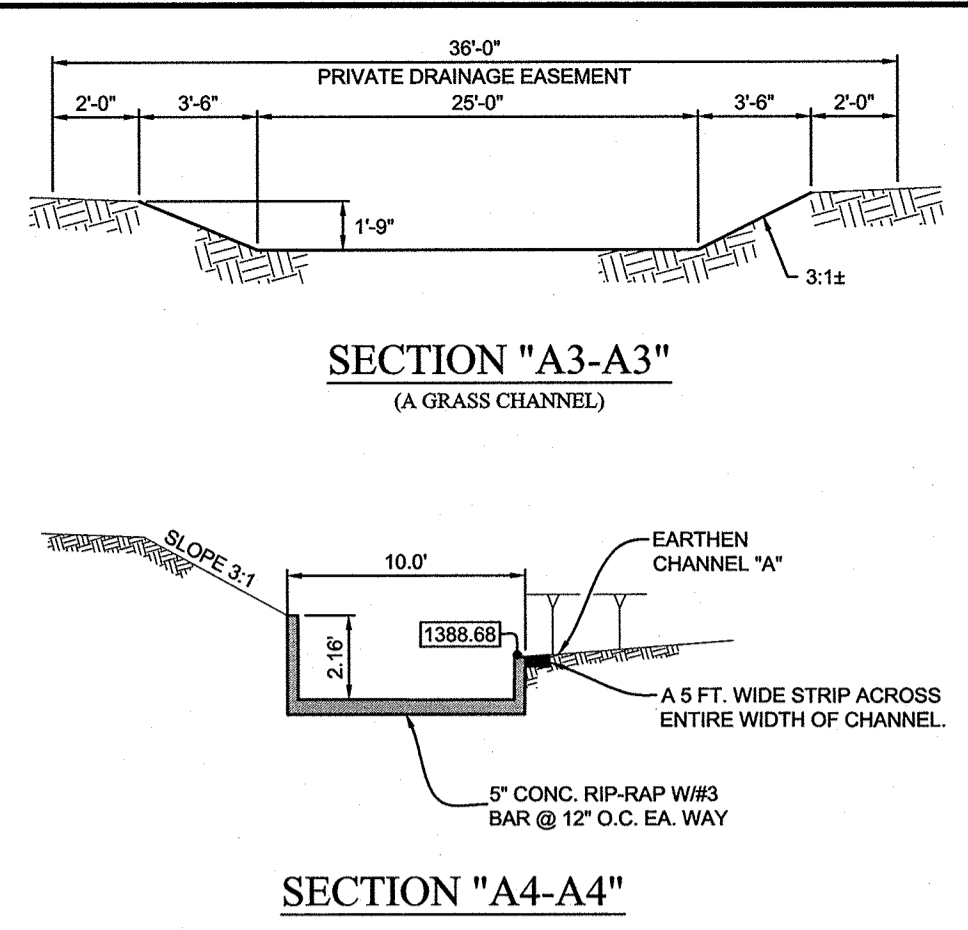
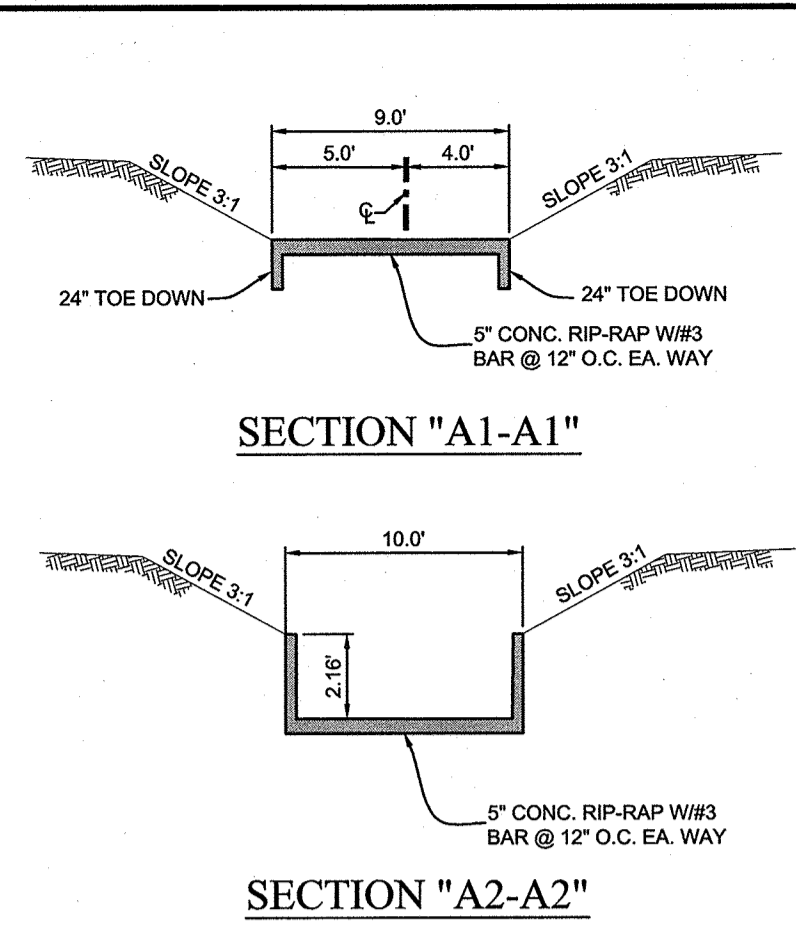
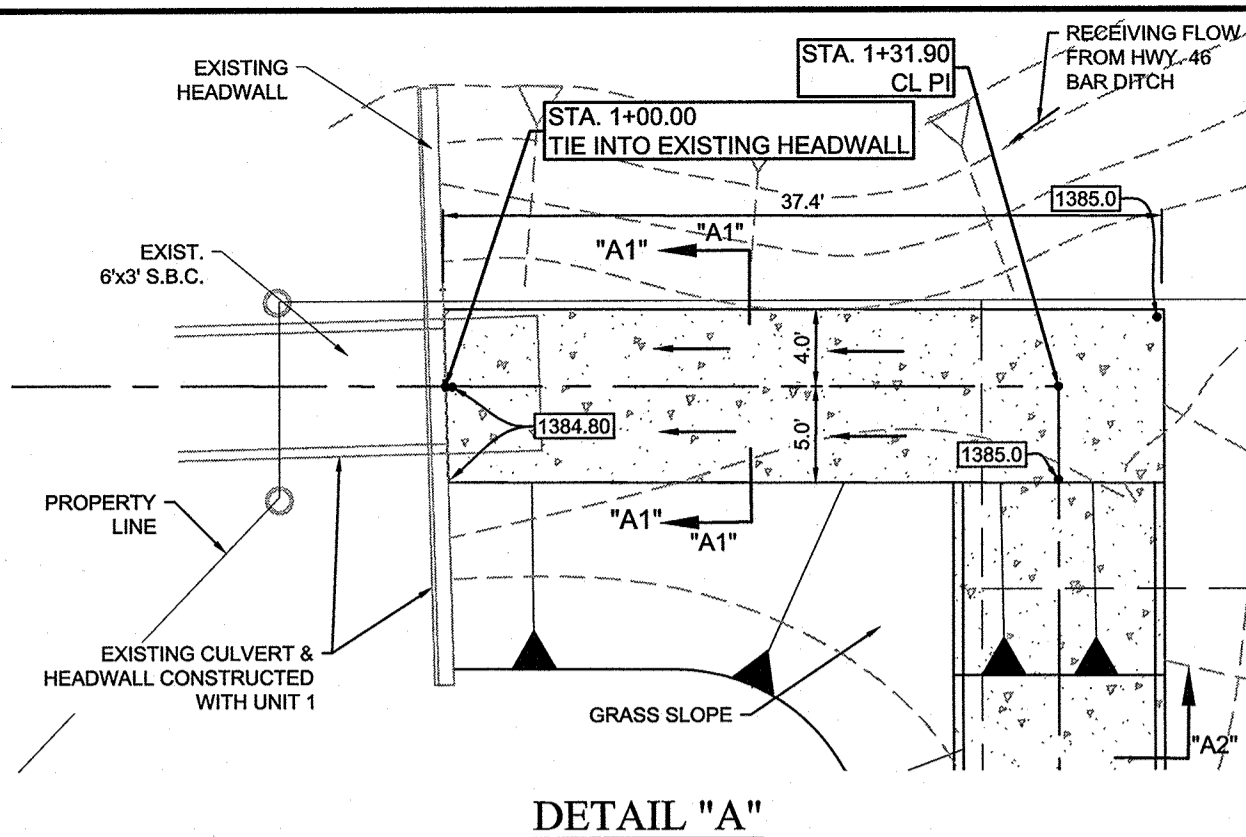
REVISED ISSUE DATES:

BUSH'S CHICKEN
 1550 STATE HWY 46
 BOERNE, TX.

CHANNEL A PLAN PROFILE



PROJECT NO. 31367-BOERNE
 ISSUE DATE: 06-01-16
 DRAWN BY: RT
 REVIEWED BY: RAL



Date: Jun 01, 2016, 2:05pm User: D:\rname Layout_Channel A PLAN PROFILE File: P:\Boerne\31367-Boerne\Channel A PLAN PROFILE.dwg Layer name: CHANNEL A PLAN PROFILE