

REINFORCED CONCRETE MASONRY NOTES:

MN-1 ALL CONCRETE MASONRY SHALL CONFORM TO THE "BUILDING CODE REQUIREMENTS FOR MASONRY STRUCTURES," ACI 530.

MN-2 CONCRETE MASONRY UNITS (CMU) SHALL BE HOLLOW, LOAD BEARING LIGHTWEIGHT UNITS CONFORMING TO ASTM C90 GRADE N, TYPE 1.

MN-3 REINFORCING STEEL SHALL CONFORM TO ASTM A615, GRADE 60. HORIZONTAL JOINT REINFORCING SHALL BE TRUSS TYPE CONFORMING TO ASTM A2. HOT DIP GALVANIZED JOINT REINFORCING AFTER FABRICATION TO COMPLY WITH ASTM A153, CLASS B2.

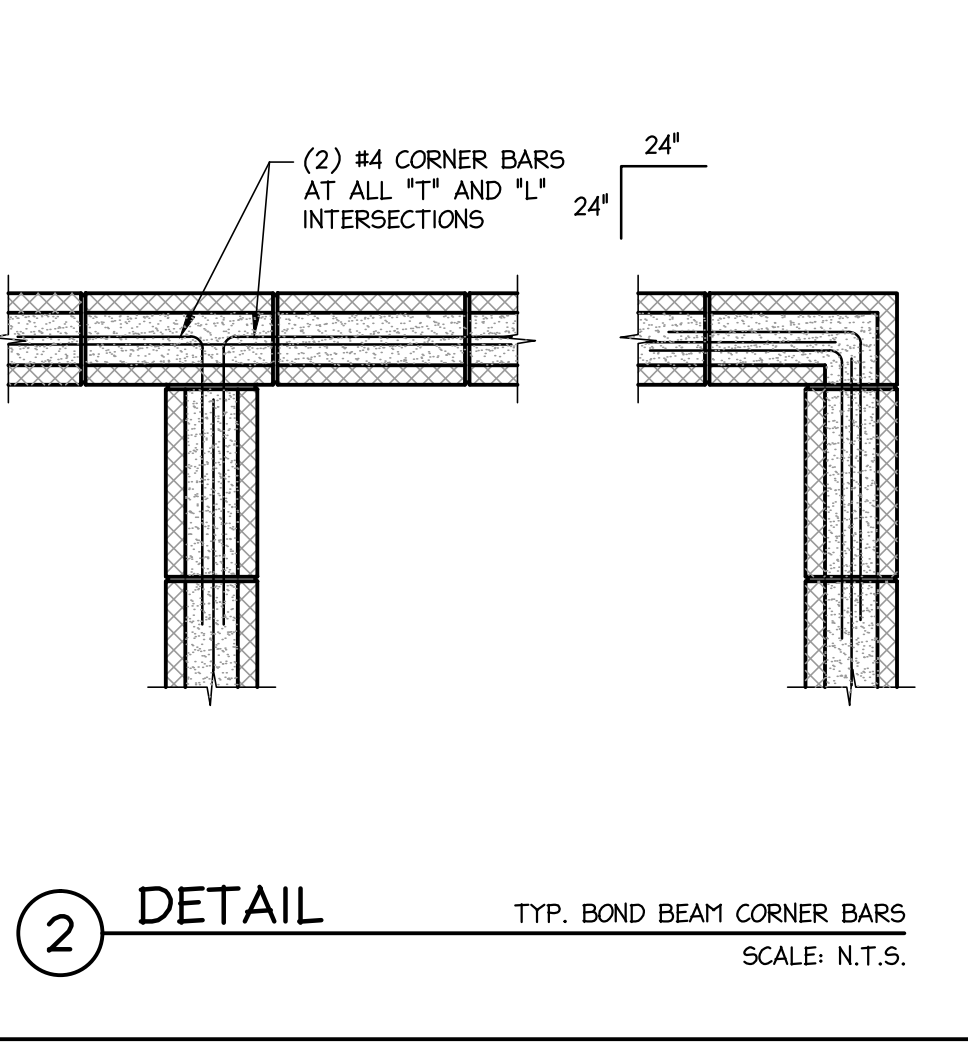
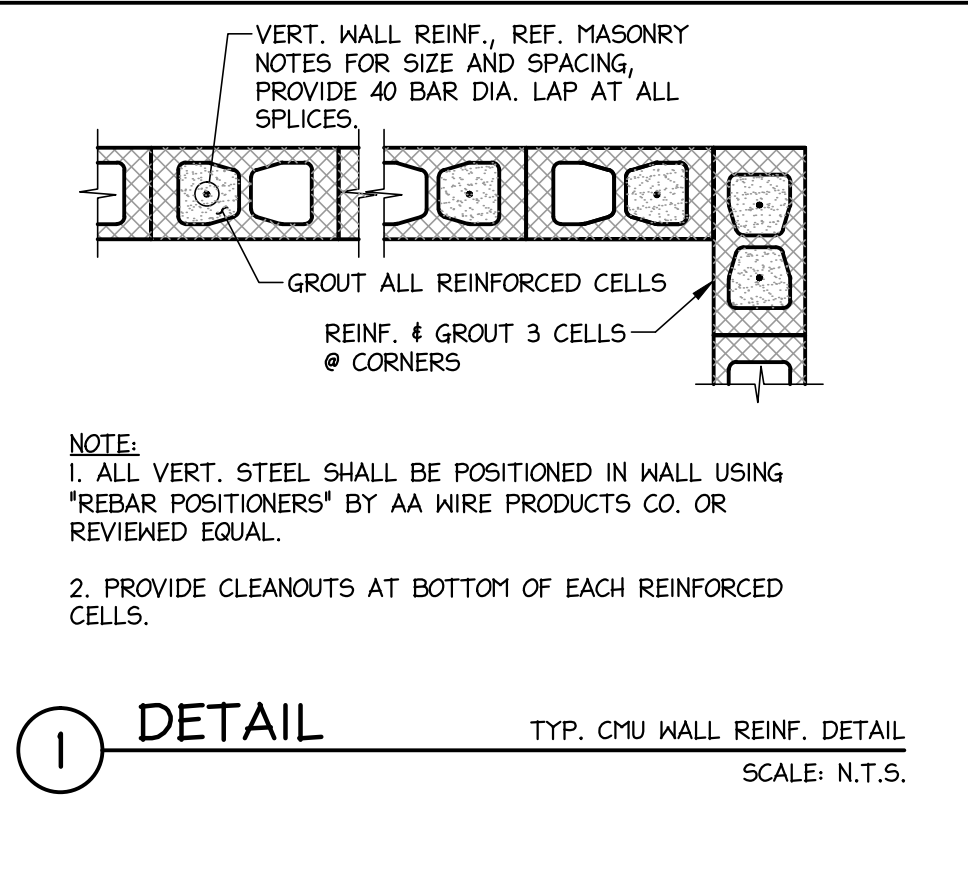
MN-4 MORTAR SHALL CONFORM TO ASTM C270, TYPE "S".

MN-5 GROUT FOR FILLING CELLS SHALL CONFORM TO ASTM C476. GROUT SHALL HAVE A MINIMUM COMPRESSIVE STRENGTH OF 2500 PSI AT 28 DAYS.

MN-6 REINFORCED CMU SHALL HAVE A MINIMUM COMPRESSIVE STRENGTH OF $f_m=1,500$ PSL. COMPRESSIVE WALL DESIGN STRENGTH (f_m) SHALL BE VERIFIED BY INDEPENDENT TESTING LAB BY PRISM TESTS BEFORE MASONRY CONSTRUCTION BEGINS.

MN-7 PROVIDE GROUTED REINFORCED VERTICAL CELLS AND HORIZONTAL BOND BEAMS AT WALL TOP EDGES, CORNERS, FREE ENDS, WINDOW AND DOOR JAMBS, LINTELS AND OTHER LOCATIONS WHERE SHOWN ON ARCHITECTURAL DRAWINGS. REINFORCE EACH GROUTED CELL AND BOND BEAM WITH 1-#4 BAR CONTINUOUS (REINFORCE LINTELS AS SPECIFIED BELOW). PROVIDE MATCHING DOWELS IN FOUNDATION FOR VERTICAL REINFORCEMENT.

MN-8 BASIC VERTICAL REINFORCEMENT FOR EXTERIOR WALLS SHALL BE #4 @ 24" o.c. (EVERY 3rd VERTICAL CELL). REINFORCE EVERY OTHER HORIZONTAL MASONRY JOINT (VERTICAL SPACING OF 16" o.c.) WITH JOINT REINFORCING (3/16 INCH SIDE RAILS AND 3/16 INCH CROSS TIES), OVERLAP 8" AT SPLICES.



STEEL LINTEL SCHEDULE			REMARKS
SIZE (REF. NOTE SL-5)	CLEAR OPENING GREATER THAN	UP TO	
L4x4x3/8	8'-0"	8'-0"	MIN. OF 8" BEARING @ EA. END
L6x4x3/8	8'-0"	11'-0"	MIN. OF 8" BEARING @ EA. END
L7x4x3/8	11'-0"	12'-0"	MIN. OF 8" BEARING @ EA. END
L8x4x1/2	12'-0"	14'-0"	MIN. OF 8" BEARING @ EA. END

STEEL LINTEL NOTES:

SL-1 STEEL LINTELS DESIGNED FOR WEIGHT OF MASONRY ONLY WITH A MAXIMUM DEFLECTION OF L/600.

SL-2 PROVIDE ONE MEMBER FOR EACH 4" (NOMINAL) WIDTH OF MASONRY.

SL-3 INSTALL ALL LOOSE LINTELS WITH LONG LEG VERTICAL.

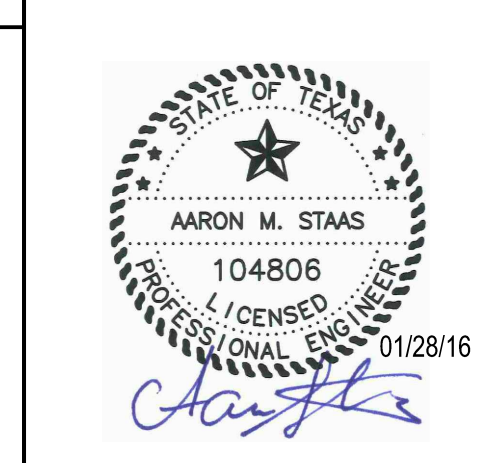
SL-4 PROVIDE SHORING UNDER LINTELS OVER 8'-0" LONG UNTIL GROUT HAS SET 72 HOURS.

SL-5 ANGLE SIZE IS MINIMUM. COORDINATE REQUIRED HORIZ. LEG DIMENSION WITH ARCHITECTURAL DRAWINGS.

1" MAX. (TYPICAL)

1 WYTHE 2 WYTHE 3 WYTHE

NOTES, DETAILS, & SECTIONS



THIS DRAWING IS PROVIDED AS AN INSTRUMENT OF SERVICE BY THE ARCHITECT AND IS INTENDED FOR USE ON THIS PROJECT ONLY. THE DRAWING REMAINS THE PROPERTY OF THE ARCHITECT AND SHALL BE RETURNED TO HIM/HER UPON COMPLETION OF THE CONSTRUCTION WORK. PURSUANT TO THE ARCHITECTURAL WORKS COPYRIGHT PROTECTION ACT OF 1990, ALL DRAWINGS, SPECIFICATIONS, IDEAS AND DESIGNS, INCLUDING THE OVERALL FORM, ARRANGEMENT AND COMPOSITION OF SPACES AND ELEMENTS APPEARING HEREIN, CONSTITUTE THE COPYRIGHTED WORK OF THE ARCHITECT. ANY REPRODUCTION, USE, OR DISCLOSURE OF INFORMATION CONTAINED HEREIN WITHOUT PRIOR WRITTEN CONSENT OF THE ARCHITECT IS STRICTLY PROHIBITED.
© 2016

PROJECT NO. 15-083
ISSUE DATE: 01-28-16
DRAWN BY: AR
REVIEWED BY: AS
PROJECT ARCHITECT:
GABRIEL DURAND-HOLLIS, FAIA
TEXAS LICENSE NO. 10881
S3.1