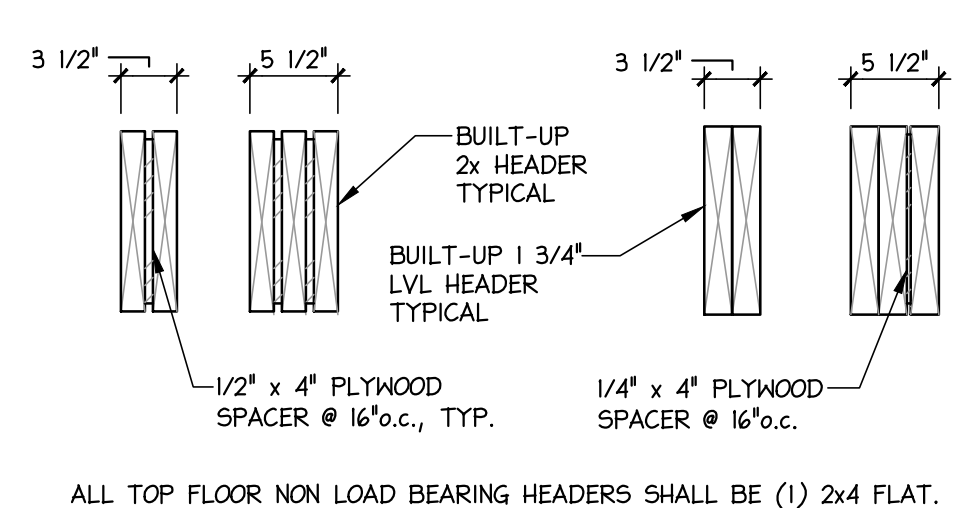
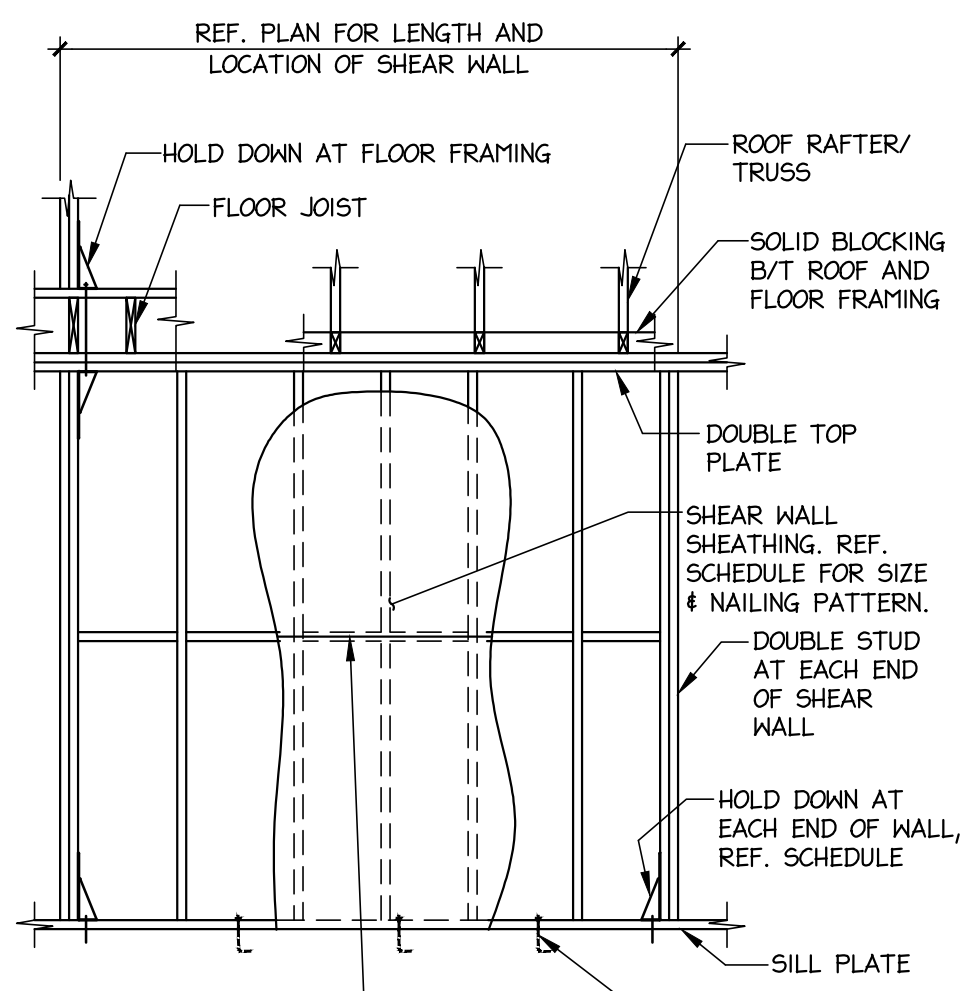


WOOD HEADER SCHEDULE

MAX. HEADER SPAN	MAX. SPAN OF SUPPORTED STRUCTURE (ROOF ONLY)					
	16'-0"	20'-0"	24'-0"	28'-0"	32'-0"	36'-0"
4'-0"	(2) 2x4 (3) 2x4	(2) 2x4 (3) 2x4	(2) 2x6 (3) 2x4	(2) 2x6 (3) 2x4	(2) 2x6 (3) 2x4	(2) 2x6 (3) 2x6
6'-0"	(2) 2x6 (3) 2x6	(2) 2x6 (3) 2x6	(2) 2x8 (3) 2x6	(2) 2x8 (3) 2x6	(2) 2x8 (3) 2x8	(2) 2x10 (3) 2x8
8'-0"	(3) 2x8 (2) 2x10	(3) 2x8 (2) 2x10	(3) 2x8 (2) 2x12	(3) 2x8 (2) 2x12	(3) 2x10 (2) 2x12	(3) 2x10 (2) 2x12
10'-0"	(3) 2x8 (2) 2x12	(3) 2x10 (2) 2x12	(3) 2x10 (2) 2x12	(3) 2x12 (2) 2x12	(3) 2x12 (2) 2x12	(3) 2x12 (2) 2x12
12'-0"	(3) 2x10 (2) 2x12	(3) 2x12 (2) 2x12	(3) 2x12 (2) 2x12	(3) 2x12 (2) 2x12	(3) 2x12 (2) 2x12	(3) 2x12 (2) 2x12



ALL TOP FLOOR NON LOAD BEARING HEADERS SHALL BE (1) 2x4 FLAT.

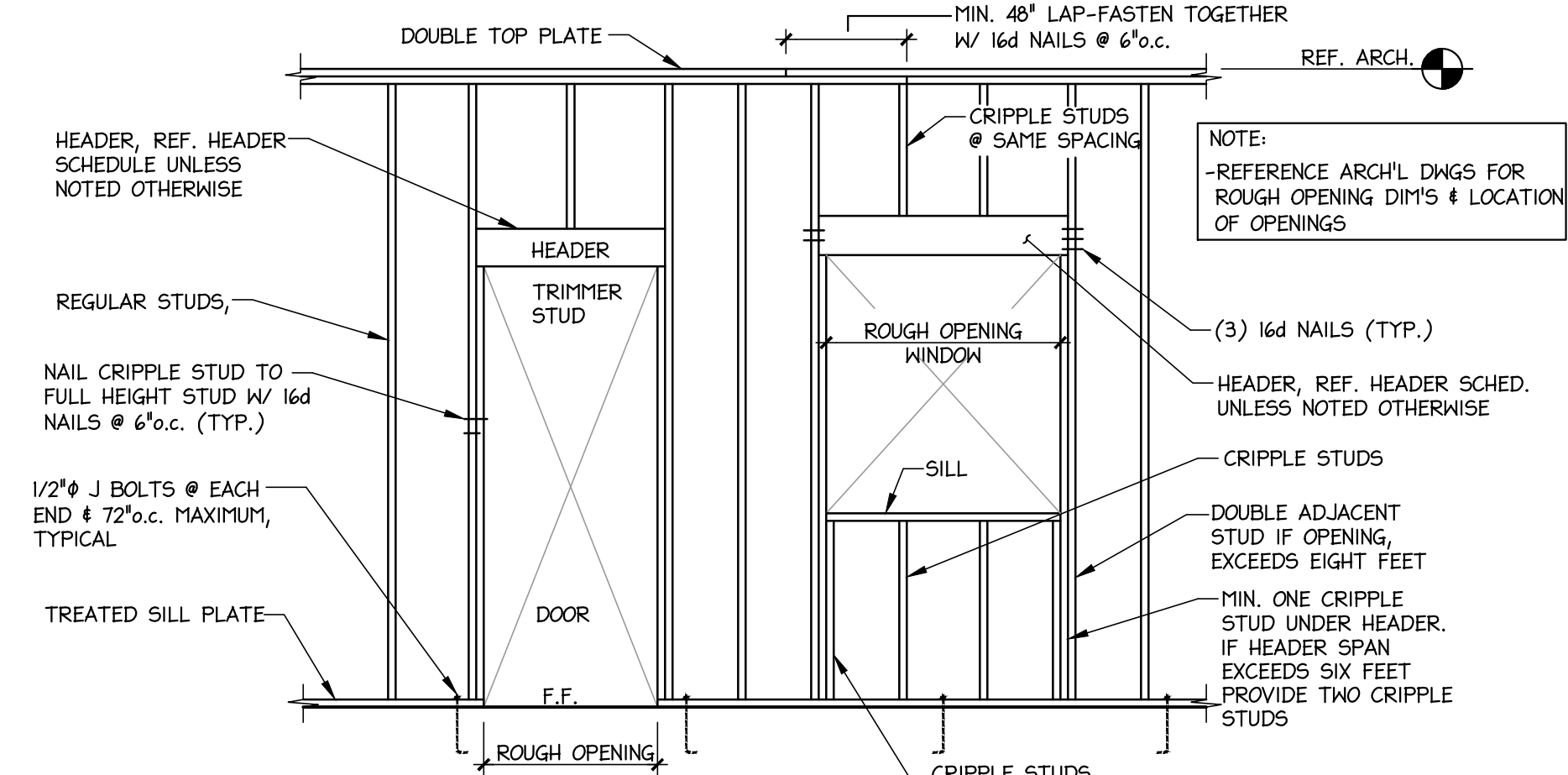


1 DETAIL
TYPICAL SHEAR WALL
SCALE: 3/8" = 1'-0"

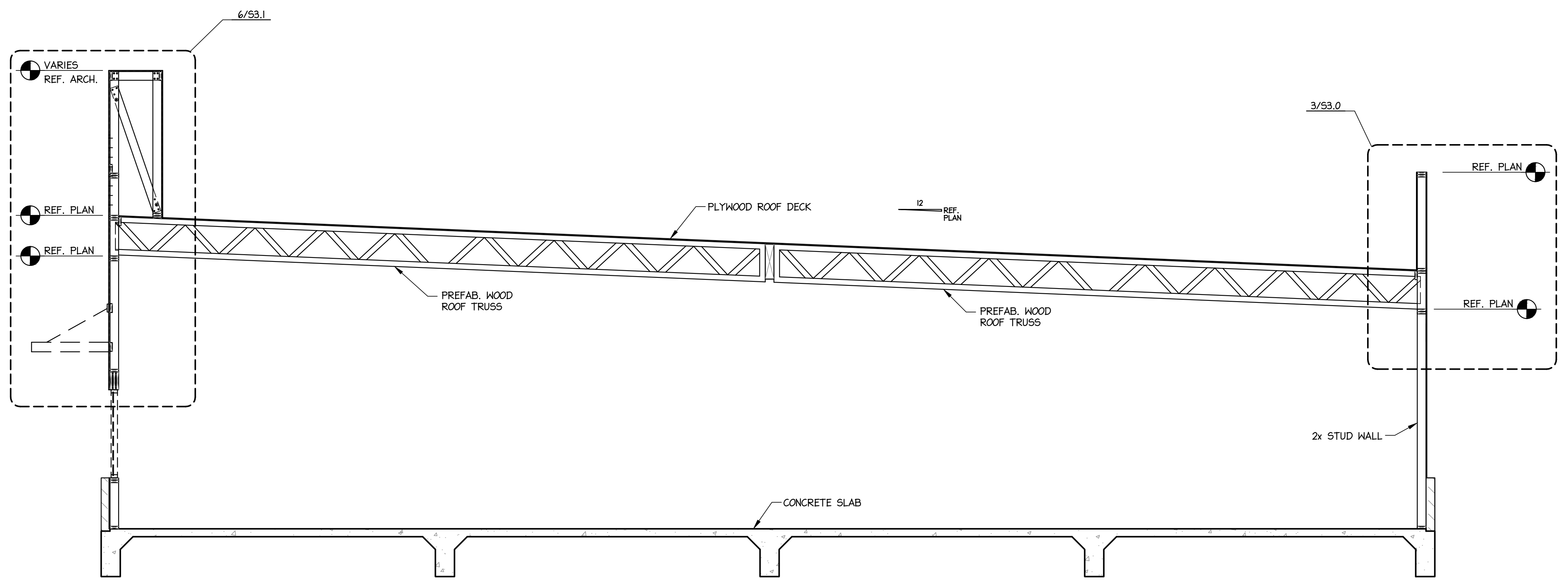
WOOD SHEAR WALL SCHEDULE

MK	SHEATHING	PANEL NAILING PATTERN	SILL PLATE ATTACHMENT	HOLD DOWN @ ANCHOR
EXT. WALLS	1/2" PLYWOOD ONE SIDE	10d COMMON @ 6"o.c.	5/8" J-BOLTS @ 24"o.c.	LSDTHD6

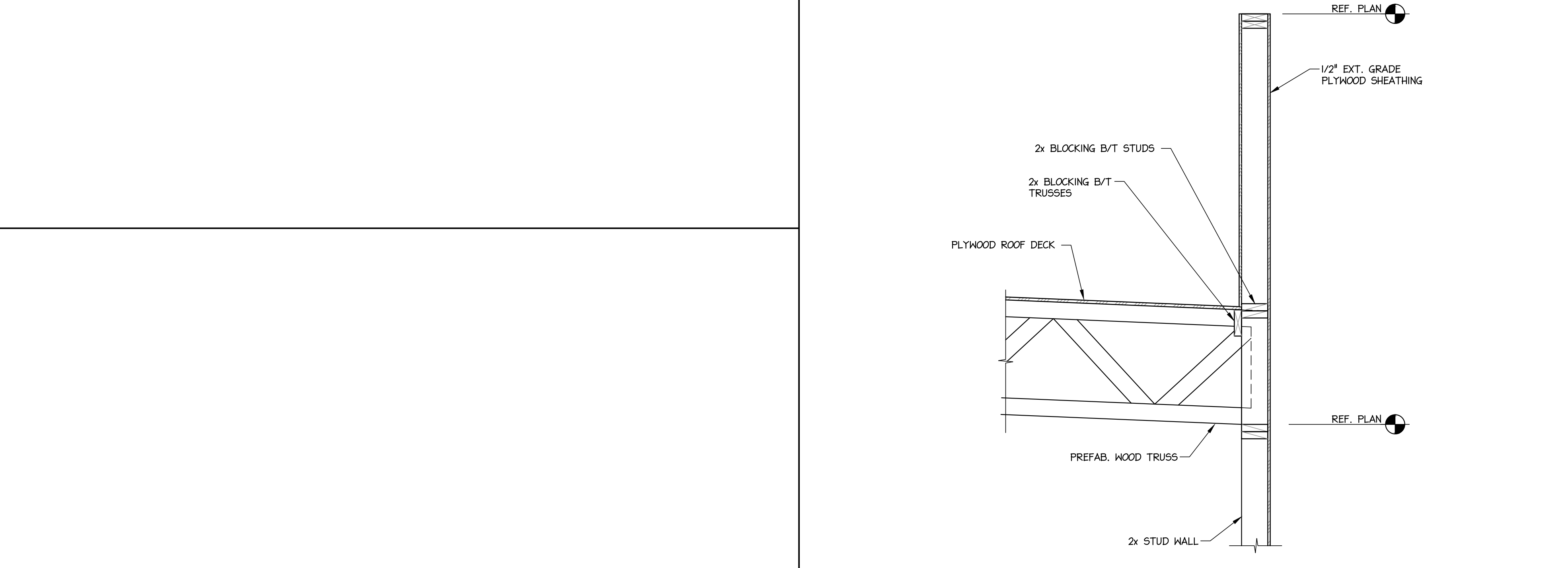
WOOD SHEAR WALL NOTES:
SW-1 PROVIDE SCHEDULED NAIL SIZE AND SPACING AT PANEL EDGES. PANEL EDGES SHOULD FALL ON STUDS, PLATES, OR SOLID BLOCKING. ATTACH SHEATHING TO ALL OTHER MEMBERS (N FIELD) @ 6" o.c. w/ 8d NAILS.
SW-2 HOLD DOWN TO BE AS MANUFACTURER BY "SIMPSON STRONG TIE" OR A REVIEWED EQUIVALENT. SEE TYPICAL FOUNDATION DETAILS FOR ANCHOR BOLTS AND OTHER DETAILS.



2 DETAIL
TYP. WOOD WALL FRAMING
SCALE: N.T.S.



4 SECTION
SCALE: 1/4" = 1'-0"



3 SECTION
SCALE: 3/4" = 1'-0"