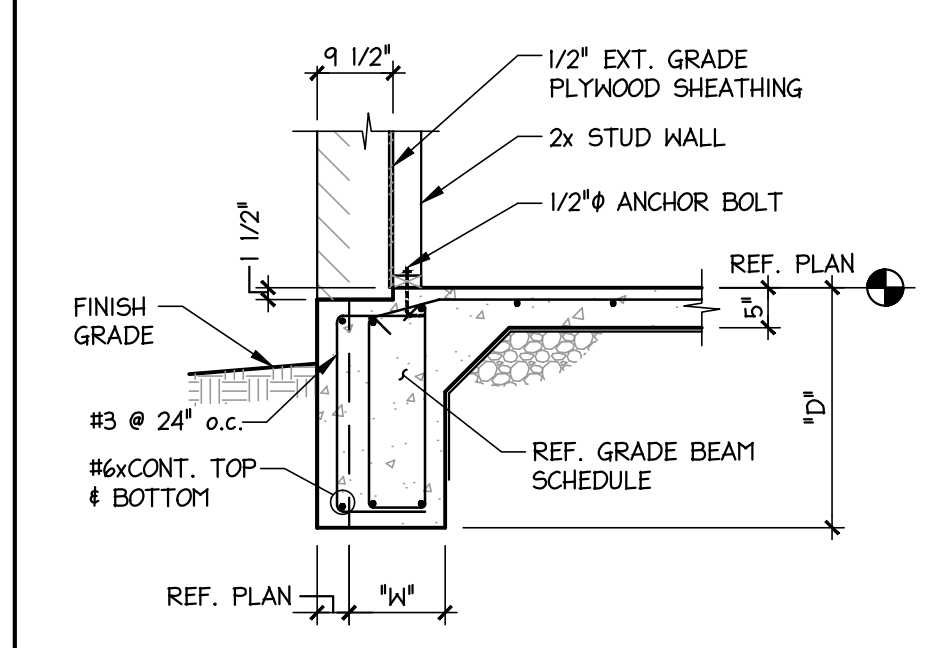
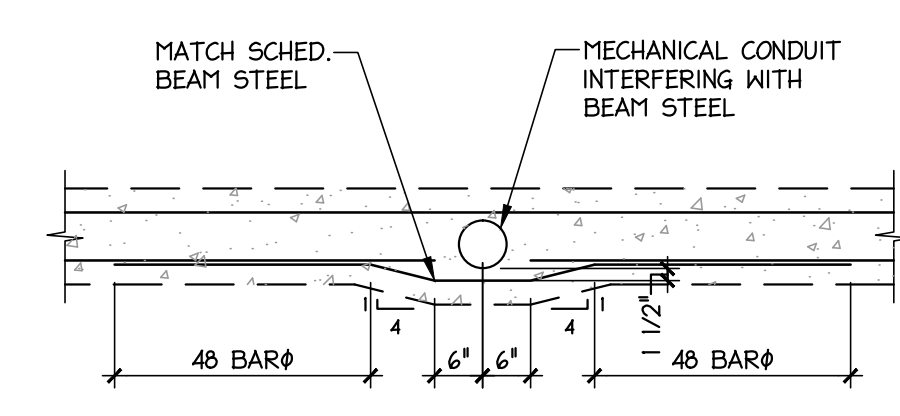


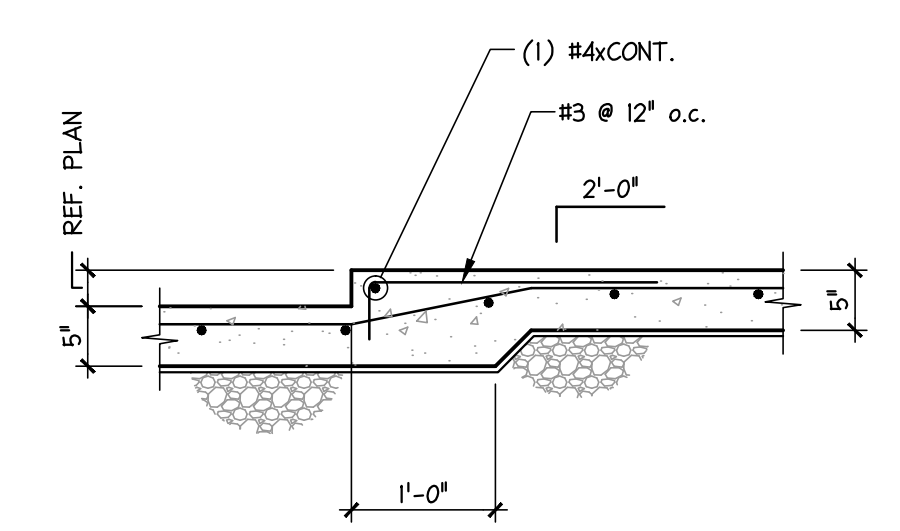
REVISED ISSUE DATES:



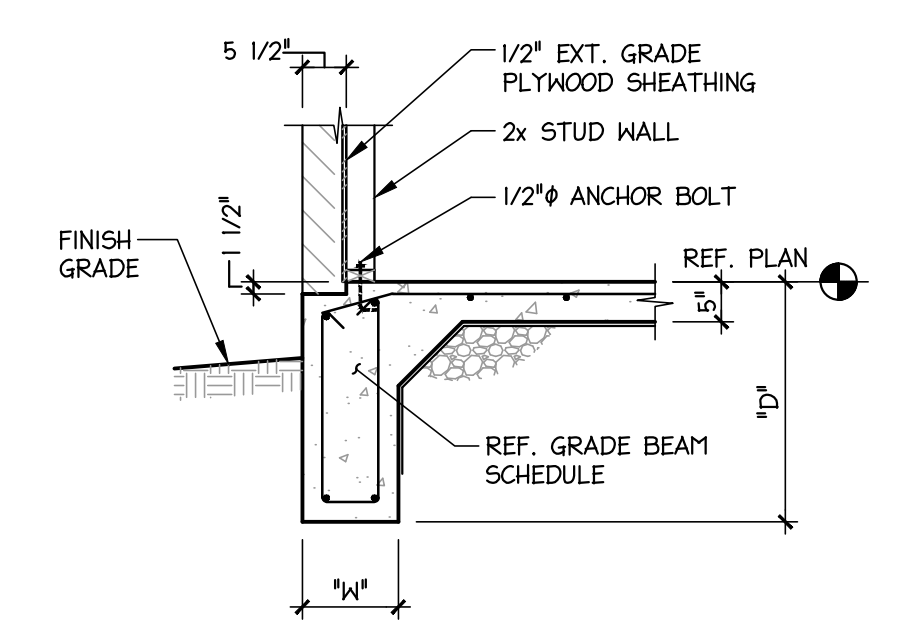
5 SECTION SCALE: 1/2" = 1'-0"



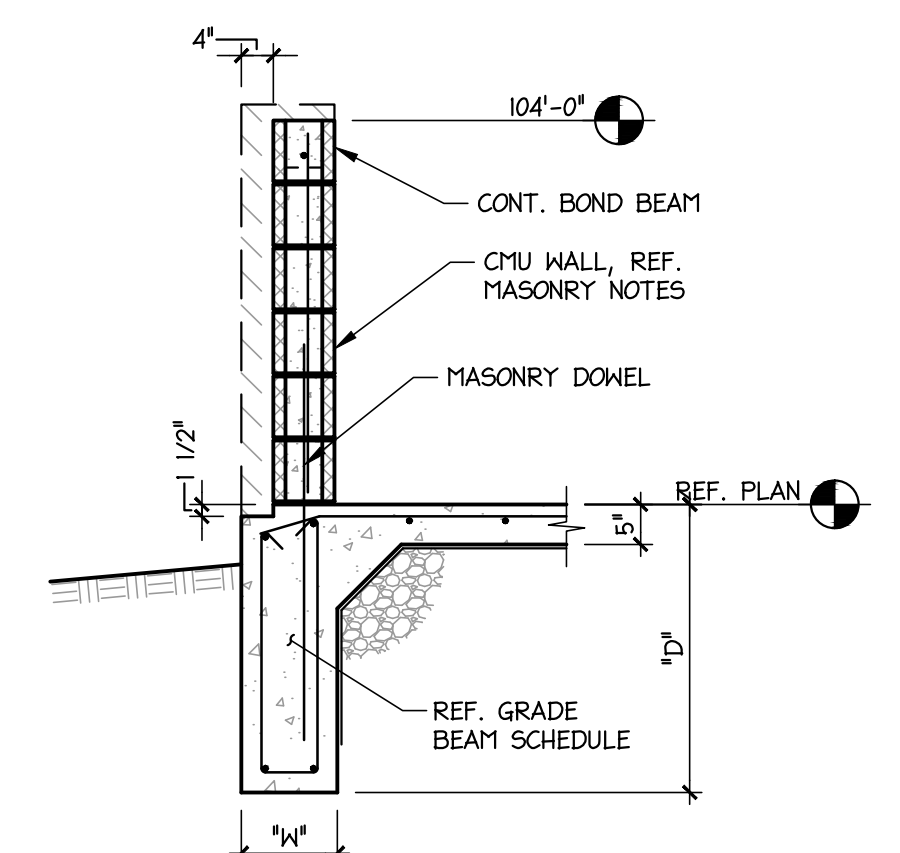
1 DETAIL TYPICAL VERTICAL BEAM PENETRATION SCALE: 1/2" = 1'-0"



2 DETAIL TYPICAL SLAB DROP SCALE: 3/4" = 1'-0"



3 SECTION SCALE: 1/2" = 1'-0"



4 SECTION SCALE: 1/2" = 1'-0"

BUSH'S CHICKEN !
 1550 STATE HWY 46
 BOERNE, TX.

NOTES, DETAILS, & SECTIONS



THIS DRAWING IS PROVIDED AS AN INSTRUMENT OF SERVICE BY THE ARCHITECT AND IS INTENDED FOR USE ON THIS PROJECT ONLY. THE DRAWING REMAINS THE PROPERTY OF THE ARCHITECT AND SHALL BE RETURNED TO HIM/HER UPON COMPLETION OF THE CONSTRUCTION WORK. PURSUANT TO THE ARCHITECTURAL WORKS COPYRIGHT PROTECTION ACT OF 1990, ALL DRAWINGS, SPECIFICATIONS, IDEAS AND DESIGNS, INCLUDING THE OVERALL FORM, ARRANGEMENT AND COMPOSITION OF SPACES AND ELEMENTS APPEARING HEREIN, CONSTITUTE THE COPYRIGHTED WORK OF THE ARCHITECT. ANY REPRODUCTION, USE, OR DISCLOSURE OF INFORMATION CONTAINED HEREIN WITHOUT PRIOR WRITTEN CONSENT OF THE ARCHITECT IS STRICTLY PROHIBITED.
 © 2016

PROJECT NO. 15-083
 ISSUE DATE: 01-28-16
 DRAWN BY: AR
 REVIEWED BY: AS
 PROJECT ARCHITECT:
 GABRIEL DURAND-HOLLIS, F.A.I.A.
 TEXAS LICENSE NO. 10881

S1.1