

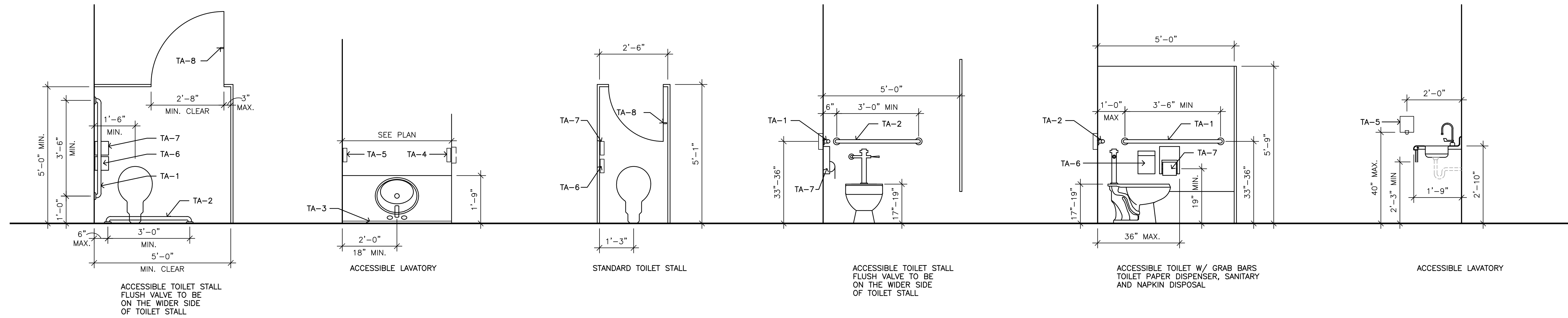
**TEXAS ACCESSIBILITY STANDARDS (TAS)**  
of the  
Architectural Barriers Act  
Article 9102, Texas Civil Statutes



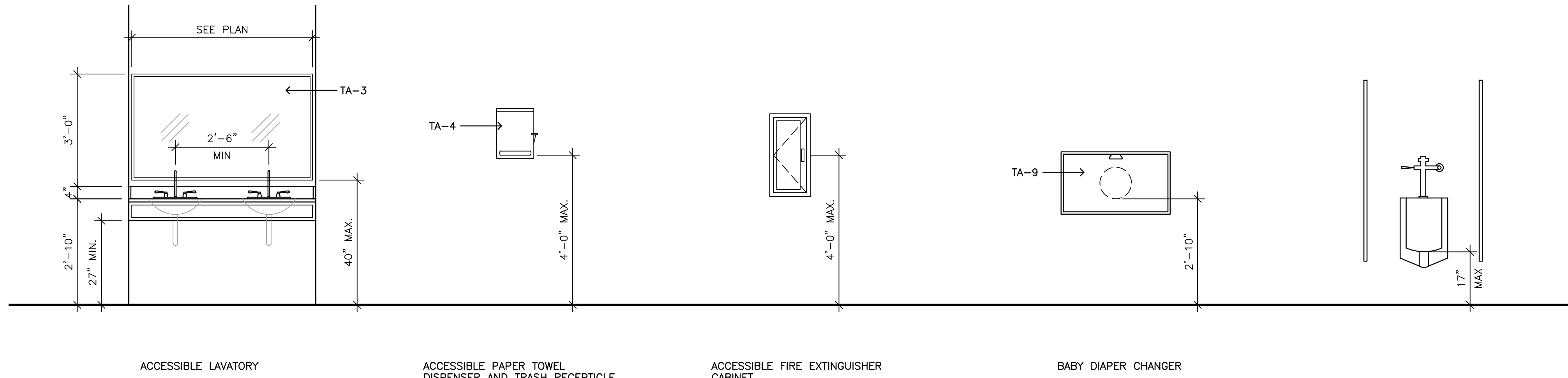
**DURAND-HOLLIS RUPE ARCHITECTS, INC.**  
14603 HUEBNER RD.  
BUILDING 18  
SAN ANTONIO,  
TEXAS 78230  
TEL. 210 308-0080  
FAX. 210 697-3309  
EMAIL OFFICE@DHRARCHITECTS.COM

REVISED ISSUE DATES:

	⚠
	⚠
	⚠

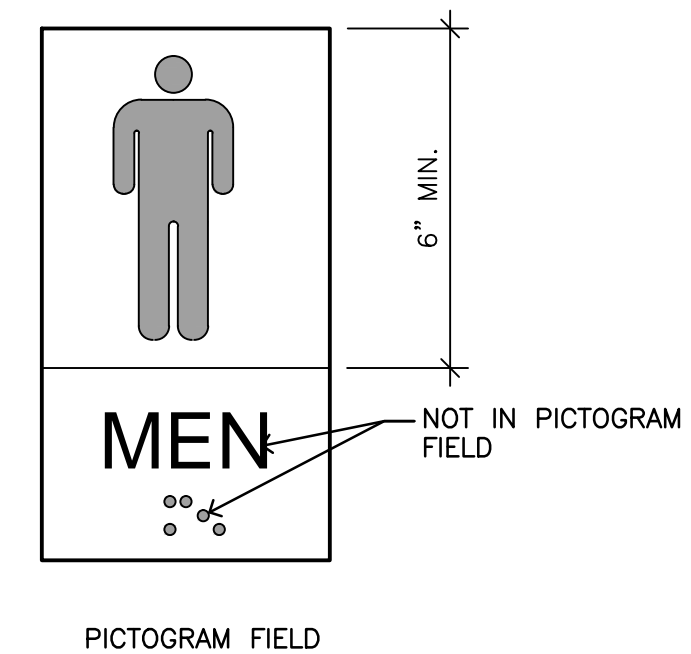
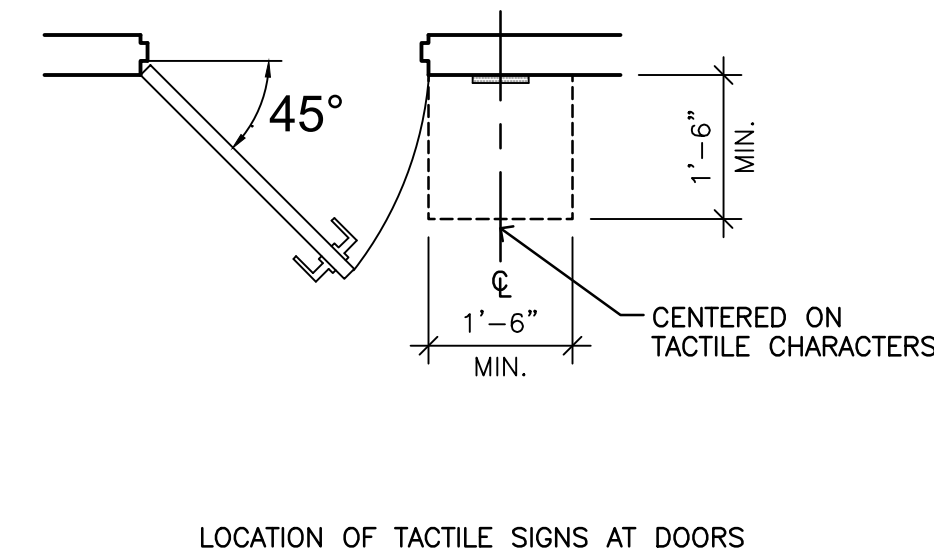
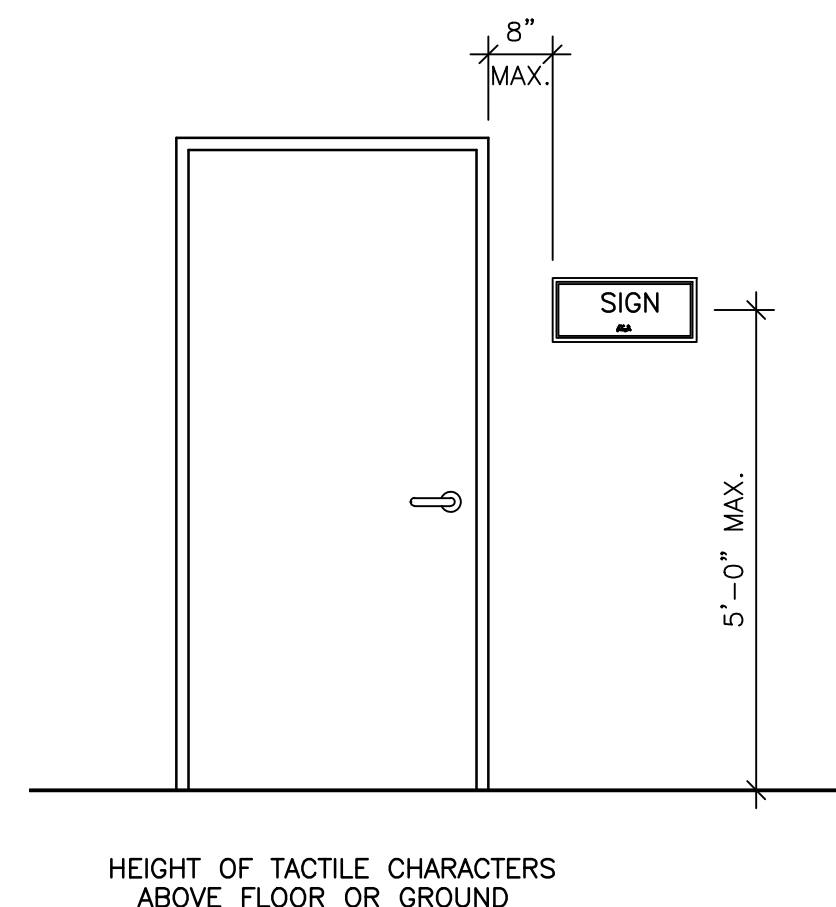
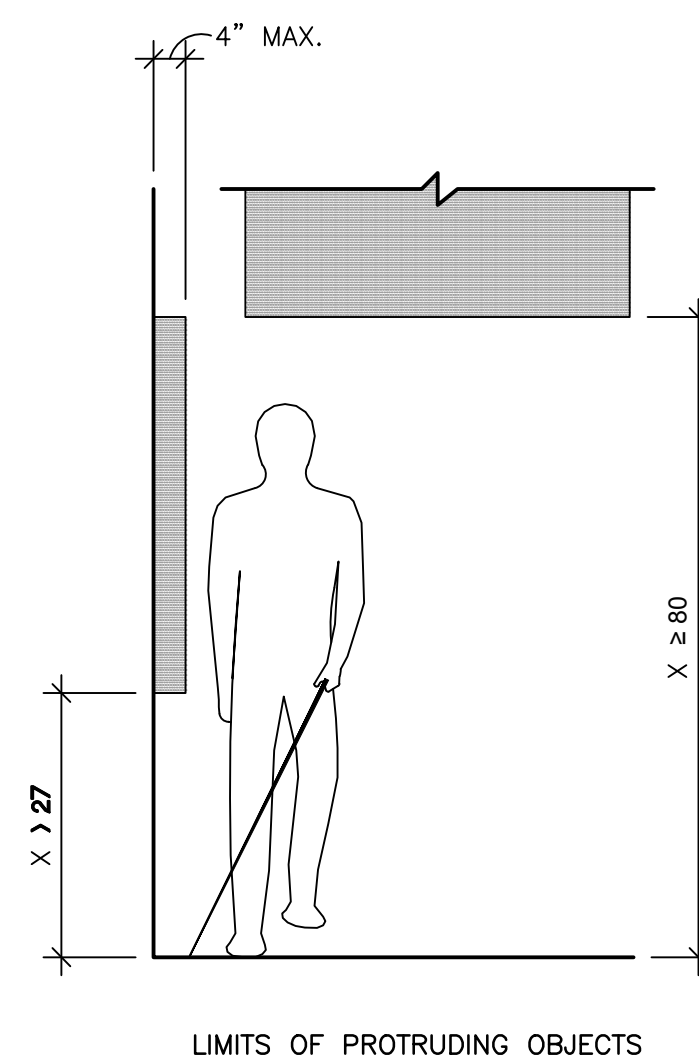


TOILET ACCESSORY LEGEND	
TA-1	42" STAINLESS STEEL GRAB BAR
TA-2	36" STAINLESS STEEL GRAB BAR
TA-3	FRAMED MIRROR SIZE AS NOTED
TA-4	PAPER TOWEL DISPENSER
TA-5	SOAP DISPENSER, WALL MOUNTED
TA-6	SANITARY NAPKIN DISPOSAL--ONLY IN WOMEN'S R.R.
TA-7	TOILET PAPER DISPENSER
TA-8	COAT HOOK (ON BACK SIDE OF DOOR)
TA-9	BABY DIAPER CHANGER



**GENERAL NOTES:**

- \* ALL DOORS TO ACCESSIBLE TOILET ROOMS SHALL NOT SWING INTO THE CLEAR FLOOR SPACE REQUIRED FOR ANY FIXTURE.
- \* LETTERS AND NUMBERS ON SIGNS SHALL HAVE A WIDTH-TO-HEIGHT RATIO BETWEEN 3:5 AND 1:1 AND A STROKE-WIDTH-TO-HEIGHT RATIO BETWEEN 1:5 AND 1:10 USING AN UPPER-CASE "X" FOR MEASUREMENT. LOWER CASE LETTERS ARE PERMITTED.
- \* URINALS SHALL BE STALL-TYPE, OR WALL-HUNG WITH A TAPERED ELONGATED RIM MOUNTED AT A MAXIMUM OF 17" ABOVE THE FINISH FLOOR. A TAPERED ELONGATED RIM IS ONE THAT NARROWS TOWARD THE FRONT TO ALLOW A WHEELCHAIR USER TO STRADDLE THE BASIN AND WHICH EXTENDS AT LEAST 14" FROM THE VERTICAL SURFACE ON WHICH THE FIXTURE IS MOUNTED.
- \* A CLEAR FLOOR SPACE 30" BY 48" SHALL BE PROVIDED IN FRONT OF URINALS TO ALLOW FORWARD APPROACH.
- \* SINKS SHALL BE MOUNTED WITH THE COUNTER OR RIM NO HIGHER THAN 34" ABOVE THE FINISH FLOOR.
- \* KNEE CLEARANCE THAT IS AT LEAST 27" HIGH, 30" WIDE, AND 19" DEEP SHALL BE PROVIDED UNDERNEATH SINKS.
- \* EACH SINK SHALL BE A MAXIMUM OF 6-1/2" DEEP.
- \* A CLEAR FLOOR SPACE AT LEAST 30" BY 48" SHALL BE PROVIDED IN FRONT OF A SINK TO ALLOW FORWARD APPROACH. SINKS INSTALLED IN ALCOVES DEEPER THAN 24" REQUIRE ADDITIONAL MANEUVERING AREA. THE CLEAR FLOOR SPACE SHALL BE ON AN ACCESSIBLE ROUTE AND SHALL EXTEND A MAXIMUM OF 19" UNDERNEATH THE SINK
- \* HOT WATER AND DRAIN PIPES EXPOSED UNDER SINKS SHALL BE INSULATED OR OTHERWISE CONFIGURED SO AS TO PROTECT AGAINST CONTACT. THERE SHALL BE NO SHARP OR ABRASIVE SURFACES UNDER SINKS.
- \* FAUCETS CONTROLS SHALL BE LEVEL OPERATED, PUSH-TYPE, OR TOUCH TYPE, OR ELECTRONICALLY CONTROLLED MECHANISMS ARE ACCEPTABLE DESIGNS.



**TOILET ACCESSIBILITY**



THIS DRAWING IS PROVIDED AS AN INSTRUMENT OF SERVICE BY THE ARCHITECT AND IS INTENDED FOR USE ON THIS PROJECT ONLY. THE DRAWING REMAINS THE PROPERTY OF THE ARCHITECT AND SHALL BE RETURNED TO HIM/HER UPON COMPLETION OF THE CONSTRUCTION WORK. PURSUANT TO THE ARCHITECTURAL WORKS COPYRIGHT PROTECTION ACT OF 1990, ALL DRAWINGS, SPECIFICATIONS, IDEAS AND DESIGNS, INCLUDING THE OVERALL FORM, ARRANGEMENT AND COMPOSITION OF SPACES AND ELEMENTS APPEARING HEREIN, CONSTITUTE THE COPYRIGHTED WORK OF THE ARCHITECT. ANY REPRODUCTION, USE, OR DISCLOSURE OF INFORMATION CONTAINED HEREIN WITHOUT PRIOR WRITTEN CONSENT OF THE ARCHITECT IS STRICTLY PROHIBITED.  
© 2016

PROJECT NO. 15-083  
ISSUE DATE: 01-12-16  
DRAWN BY: AT  
REVIEWED BY: RM  
PROJECT ARCHITECT:  
GABRIEL DURAND-HOLLIS, F.A.I.A.  
TEXAS LICENSE NO. 10881

**ACC01**

**BUSH'S CHICKEN!**  
1550 STATE HWY 46  
BOERNE, TX.