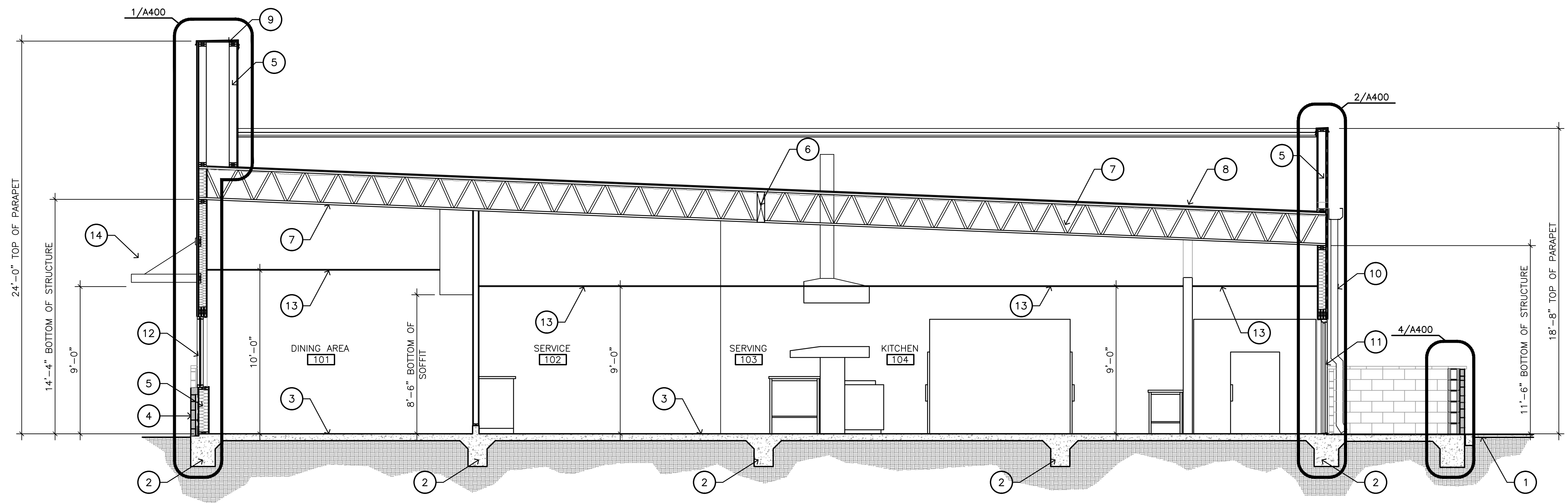


SHEET KEYNOTES

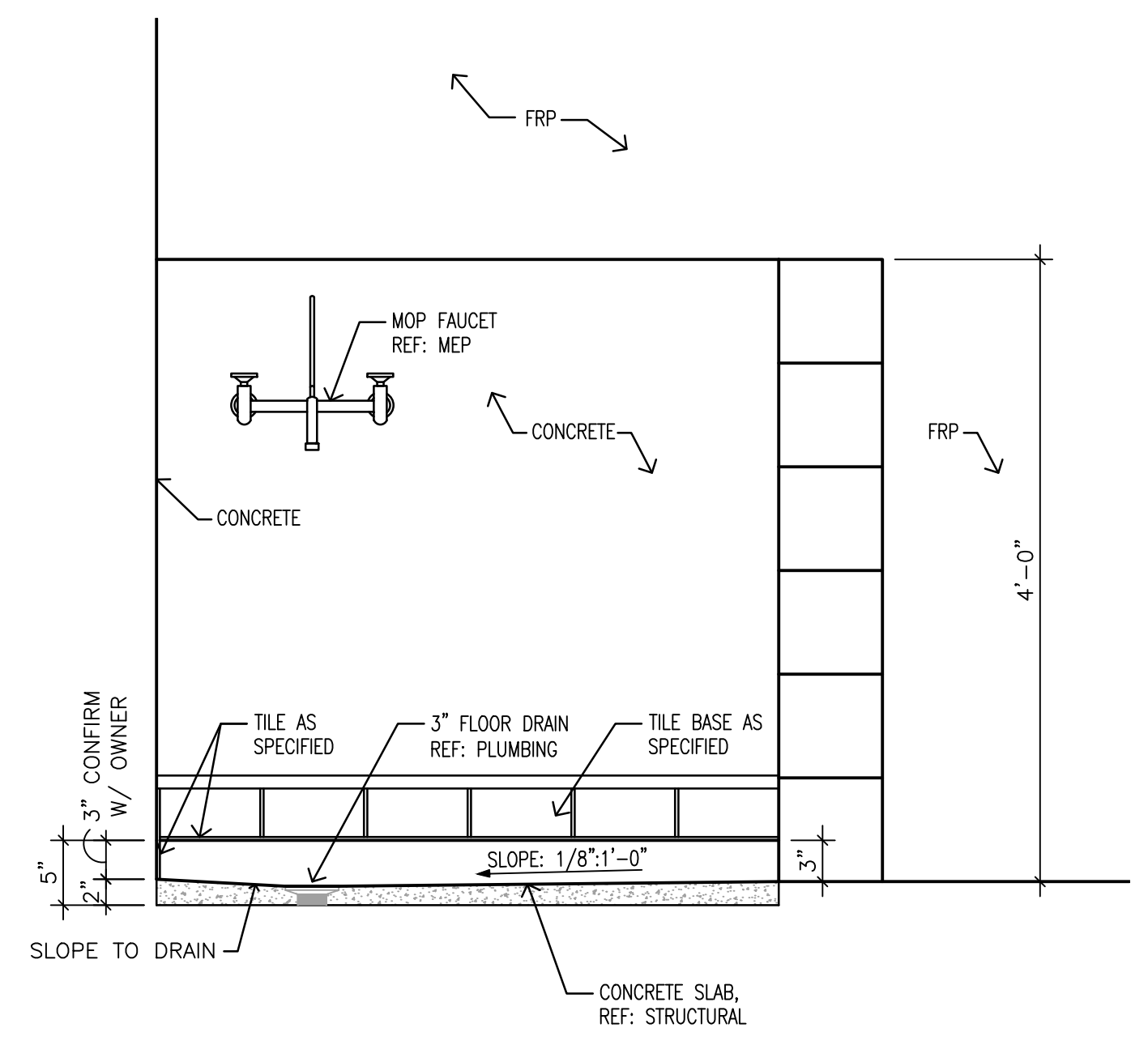
- DIVISION 03 - CONCRETE
- 1 CONCRETE SIDEWALK, REF. CIVIL
- 2 CONCRETE FOOTING, REF. STRUCTURAL
- 3 CONCRETE FLOOR SLAB, REF. STRUCTURAL
- DIVISION 04 - MASONRY
- 4 LIMESTONE VENEER, SELECTED BY OWNER
- DIVISION 06 - WOOD, PLASTICS, AND COMPOSITES
- 5 2X6 STUDS @ 16" O.C.
- 6 WOOD BEAM, REF. STRUCTURAL
- 7 WOOD TRUSSES, REF. STRUCTURAL
- DIVISION 07 - THERMAL AND MOISTURE PROTECTION
- 8 3" RIGID INSULATION
- 9 PREFINISHED METAL COPING
- 10 PRE-FINISH METAL DOWNSPOUT W/ SPLASH BLOCKS
- DIVISION 08 - OPENINGS
- 11 DOOR AS SCHEDULED
- 12 WINDOW AS SCHEDULED
- DIVISION 09 - FINISHES
- 13 CEILING AS SCHEDULED
- DIVISION 10 - SPECIALTIES
- 14 CANVAS AWNING, BY OTHERS
- DIVISION 22 - PLUMBING
- 15 MOP SINK
- 16 HAND SINK, REF. PLUMBING

REVISED ISSUE DATES:

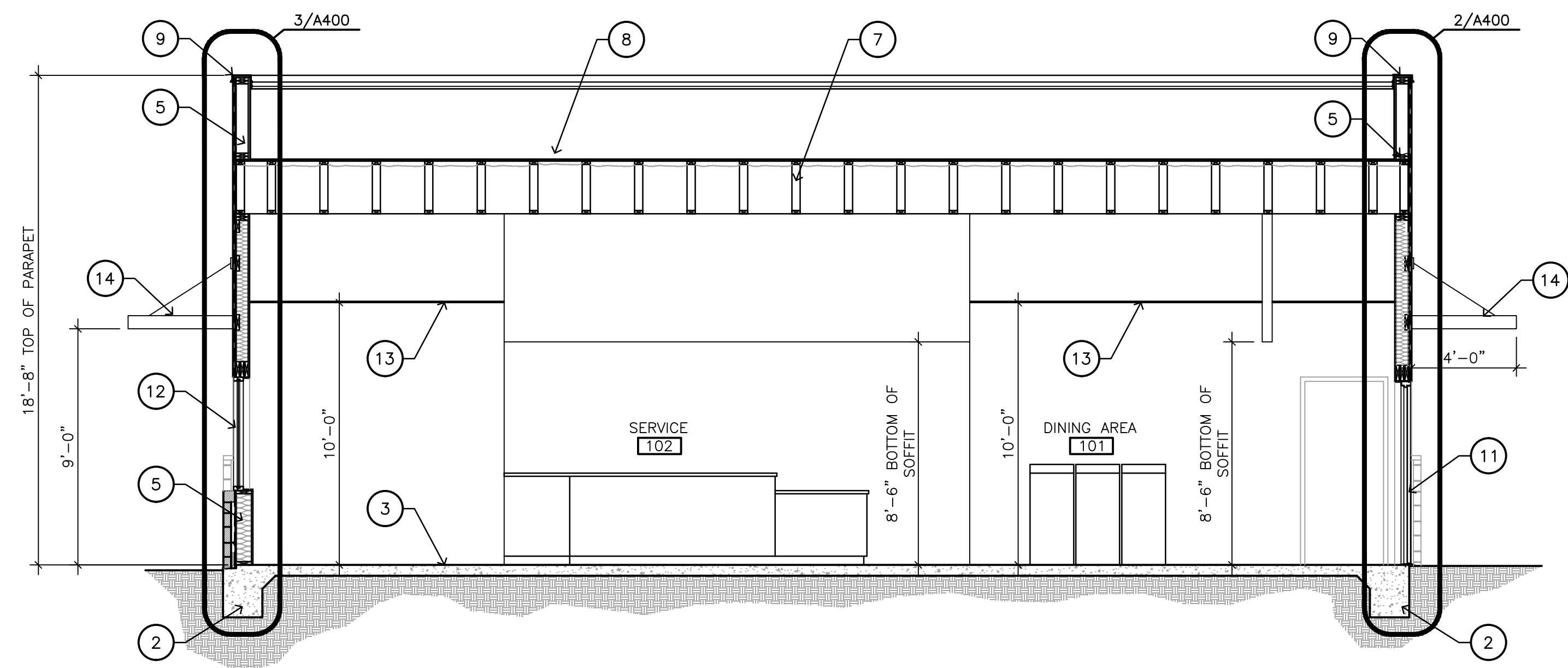
	1
	2
	3



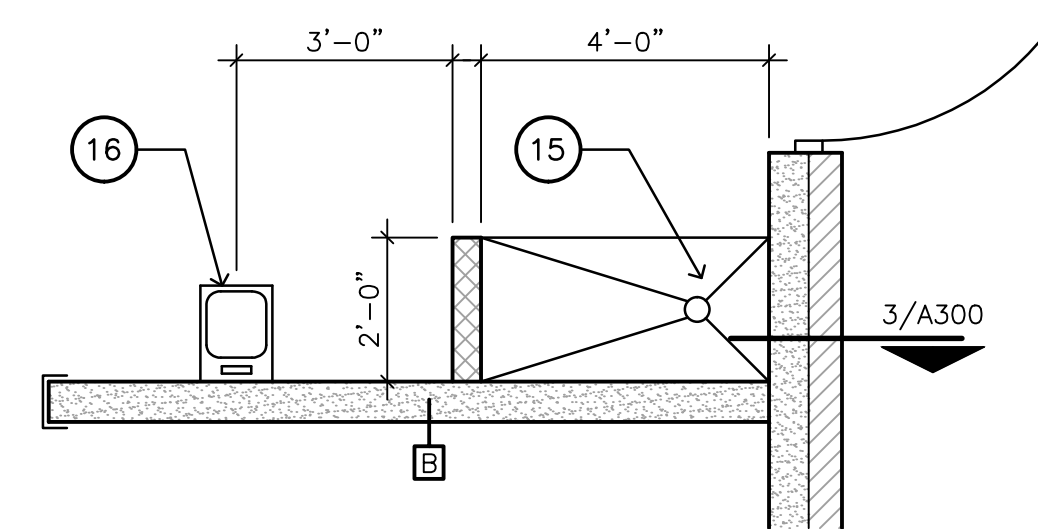
1 BUILDING SECTION
 SCALE: 1/4" = 1'-0"



3 FLOOR SINK SECTION
 SCALE: 1" = 1'-0"



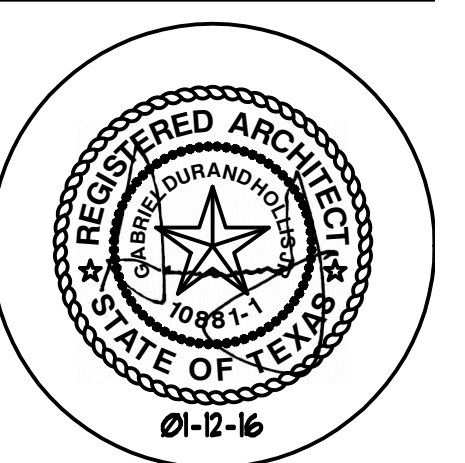
2 BUILDING SECTION
 SCALE: 1/4" = 1'-0"



4 ENLARGED PLAN
 SCALE: 3/8" = 1'-0"

BUSH'S CHICKEN!
 1550 STATE HWY 46
 BOERNE, TX.

BUILDING SECTIONS



THIS DRAWING IS PROVIDED AS AN INSTRUMENT OF SERVICE BY THE ARCHITECT AND IS INTENDED FOR USE ON THIS PROJECT ONLY. THE DRAWING REMAINS THE PROPERTY OF THE ARCHITECT AND SHALL BE RETURNED TO HIM/HER UPON COMPLETION OF THE CONSTRUCTION WORK. PURSUANT TO THE ARCHITECTURAL WORKS COPYRIGHT PROTECTION ACT OF 1990, ALL DRAWINGS, SPECIFICATIONS, IDEAS AND DESIGNS, INCLUDING THE OVERALL FORM, ARRANGEMENT AND COMPOSITION OF SPACES AND ELEMENTS APPEARING HEREIN, CONSTITUTE THE COPYRIGHTED WORK OF THE ARCHITECT. ANY REPRODUCTION, USE, OR DISCLOSURE OF INFORMATION CONTAINED HEREIN WITHOUT PRIOR WRITTEN CONSENT OF THE ARCHITECT IS STRICTLY PROHIBITED.
 © 2016

PROJECT NO. 15-083
 ISSUE DATE: 01-12-16
 DRAWN BY: AT
 REVIEWED BY: RM
 PROJECT ARCHITECT:
 GABRIEL DURAND-HOLLIS, FAIA
 TEXAS LICENSE NO. 10881

A300