

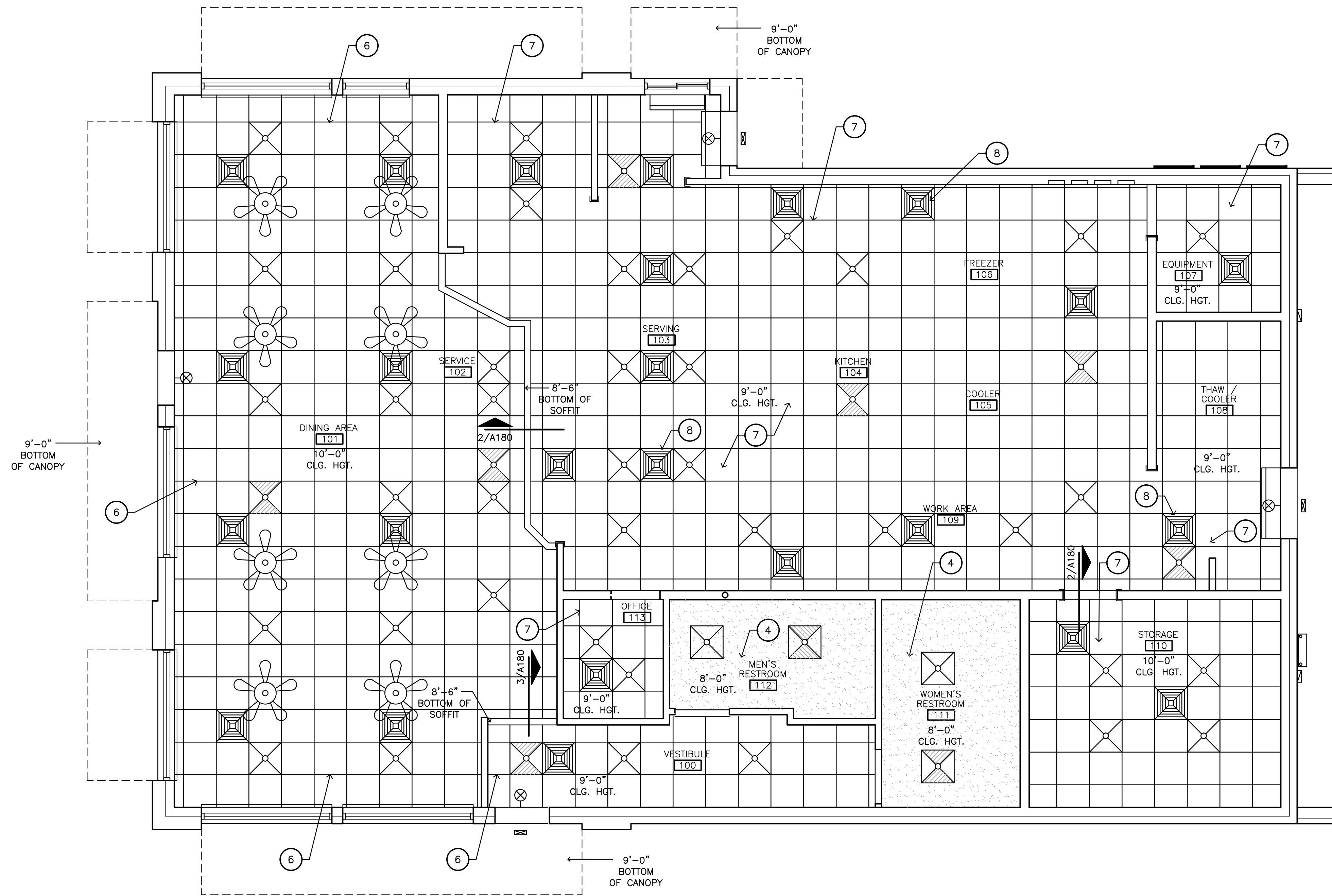
SHEET KEYNOTES

- DIVISION 06 - WOOD, PLASTICS, AND COMPOSITES
- 1 2x4 STUDS @ 16" O.C.
- 2 FRP WALLCOVERING AS SPECIFIED
- DIVISION 09 - FINISHES
- 3 CEILING AS SCHEDULED
- 4 GYP BOARD CEILING, PAINT SELECTED BY OWNER
- 5 5/8" GYPSUM WALLBOARD, PAINT SELECTED BY OWNER
- 6 2'-0" X 2'-0" ACOUSTIC TILE CEILING IN SUSPENDED GRID
- 7 2'-0" X 2'-0" VINYL FACED ACOUSTIC TILE CEILING IN SUSPENDED GRID
- 8 AIR SUPPLY/ RETURNS. RE: MECH. DWGS.

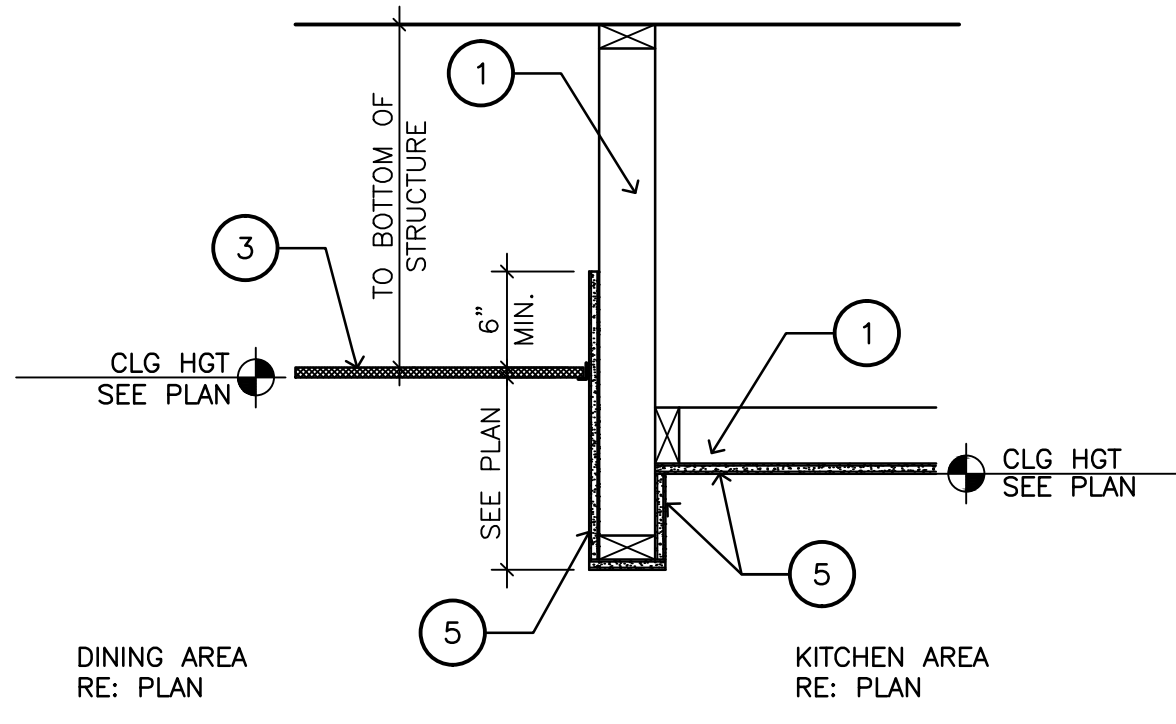
REVISED ISSUE DATES:

GENERAL NOTES

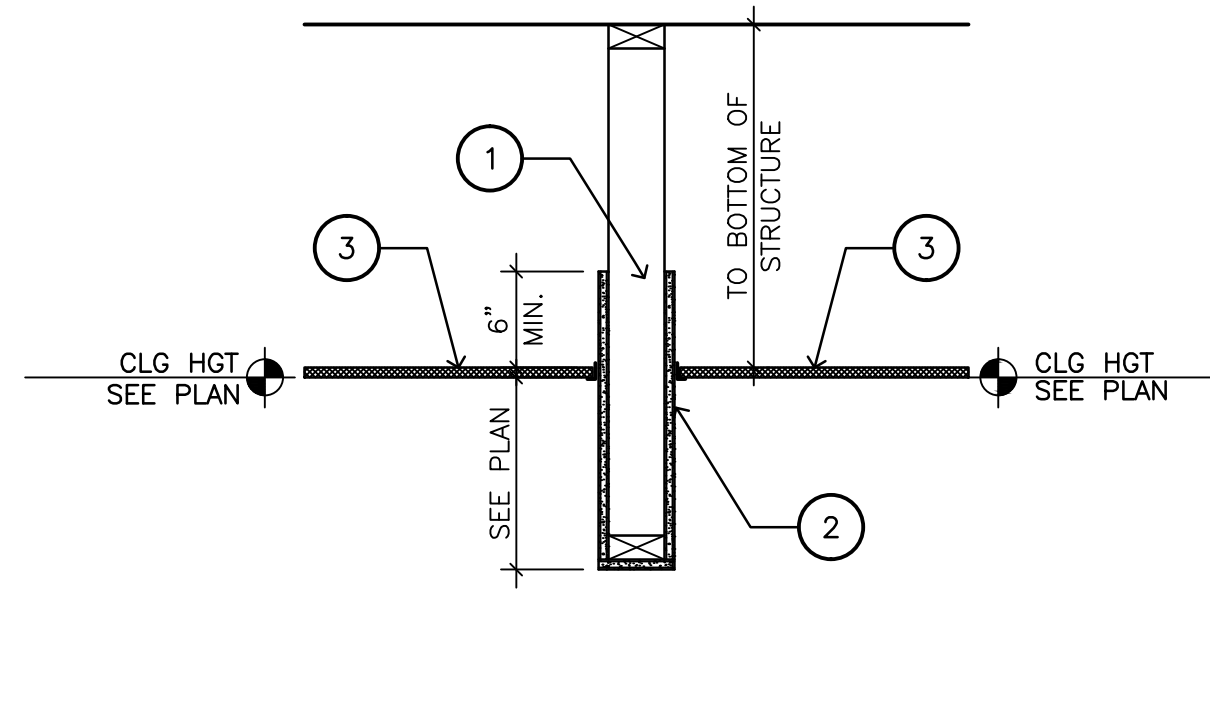
* ALL WALLS IN KITCHEN AREA TO HAVE FRP U.N.O.



1 REFLECTED CEILING PLAN
 SCALE: 1/4" = 1'-0"

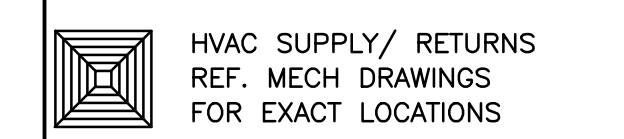


3 SOFFIT DETAIL
 SCALE: 1" = 1'-0"

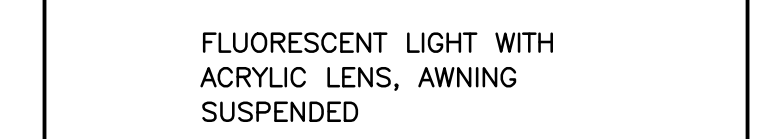
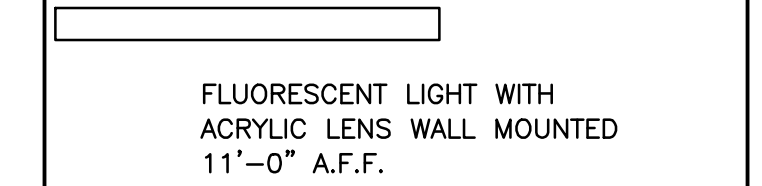
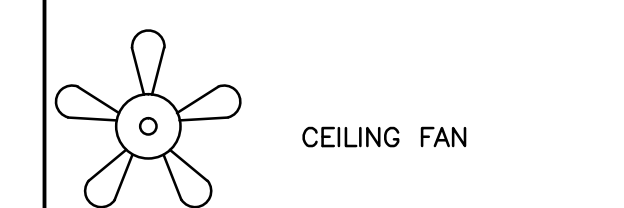
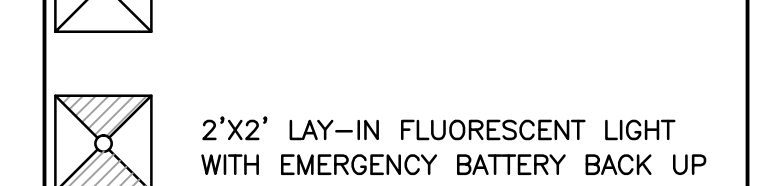


2 SOFFIT DETAIL
 SCALE: 1" = 1'-0"

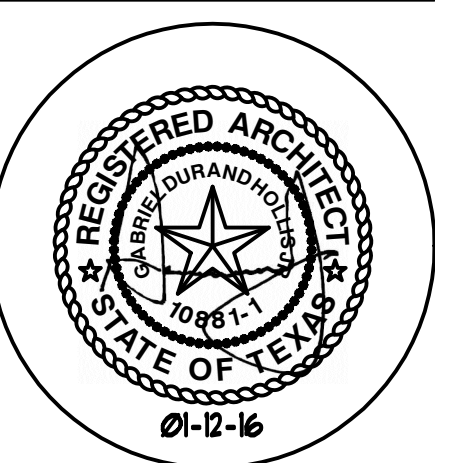
HVAC LEGEND



LIGHTING LEGEND



REFLECTED CEILING PLAN



THIS DRAWING IS PROVIDED AS AN INSTRUMENT OF SERVICE BY THE ARCHITECT AND IS INTENDED FOR USE ON THIS PROJECT ONLY. THE DRAWING REMAINS THE PROPERTY OF THE ARCHITECT AND SHALL BE RETURNED TO HIM/HER UPON COMPLETION OF THE CONSTRUCTION WORK. PURSUANT TO THE ARCHITECTURAL WORKS COPYRIGHT PROTECTION ACT OF 1990, ALL DRAWINGS, SPECIFICATIONS, IDEAS AND DESIGNS, INCLUDING THE OVERALL FORM, ARRANGEMENT AND COMPOSITION OF SPACES AND ELEMENTS APPEARING HEREIN, CONSTITUTES THE COPYRIGHTED WORK OF THE ARCHITECT. ANY REPRODUCTION, USE, OR DISCLOSURE OF INFORMATION CONTAINED HEREIN WITHOUT PRIOR WRITTEN CONSENT OF THE ARCHITECT IS STRICTLY PROHIBITED.
 © 2016

PROJECT NO. 15-083
 ISSUE DATE: 01-12-16
 DRAWN BY: AT
 REVIEWED BY: RM
 PROJECT ARCHITECT:
 GABRIEL DURAND-HOLLIS, FAIA
 TEXAS LICENSE NO. 10881

A180

BUSH'S CHICKEN!
 1550 STATE HWY 46
 BOERNE, TX.