

**REVISED ISSUE DATES:**

9.17.13	1
	2
	3

**BUSH'S CHICKEN!**  
 1550 STATE HWY 46  
 BOERNE, TX.

**ENLARGED RESTROOMS & INTERIOR ELEVATIONS**



THIS DRAWING IS PROVIDED AS AN INSTRUMENT OF SERVICE BY THE ARCHITECT AND IS INTENDED FOR USE ON THIS PROJECT ONLY. THE DRAWING REMAINS THE PROPERTY OF THE ARCHITECT AND SHALL BE RETURNED TO HIM/HER UPON COMPLETION OF THE CONSTRUCTION WORK. PURSUANT TO THE ARCHITECTURAL WORKS COPYRIGHT PROTECTION ACT OF 1990, ALL DRAWINGS, SPECIFICATIONS, IDEAS AND DESIGNS, INCLUDING THE OVERALL FORM, ARRANGEMENT AND COMPOSITION OF SPACES AND ELEMENTS APPEARING HEREIN, CONSTITUTE THE COPYRIGHTED WORK OF THE ARCHITECT. ANY REPRODUCTION, USE, OR DISCLOSURE OF INFORMATION CONTAINED HEREIN WITHOUT PRIOR WRITTEN CONSENT OF THE ARCHITECT IS STRICTLY PROHIBITED.  
 © 2016

PROJECT NO. 15-083  
 ISSUE DATE: 01-12-16  
 DRAWN BY: AT  
 REVIEWED BY: RM  
 PROJECT ARCHITECT:  
 GABRIEL DURAND-HOLLIS, F.A.I.A.  
 TEXAS LICENSE NO. 10881

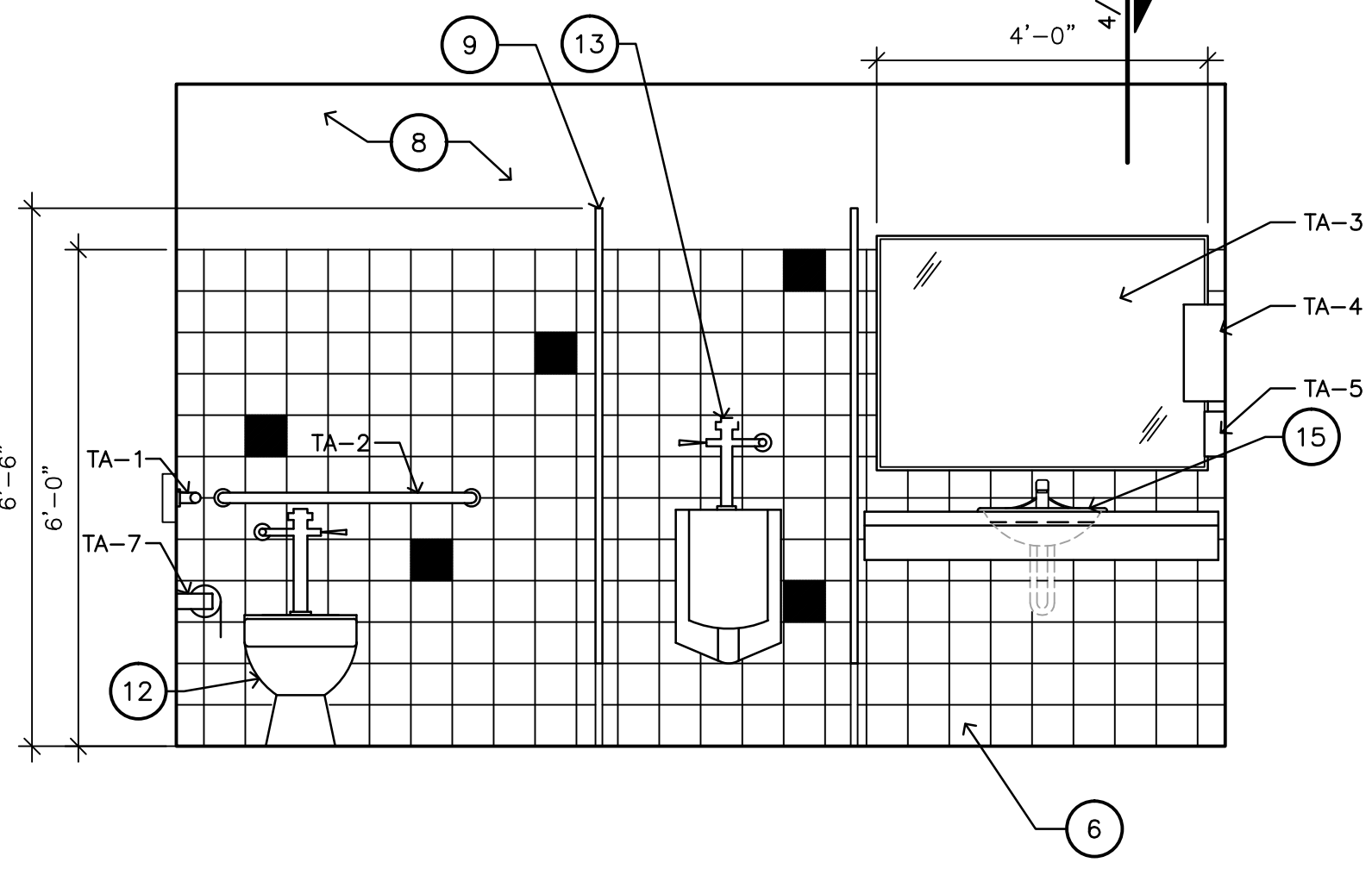
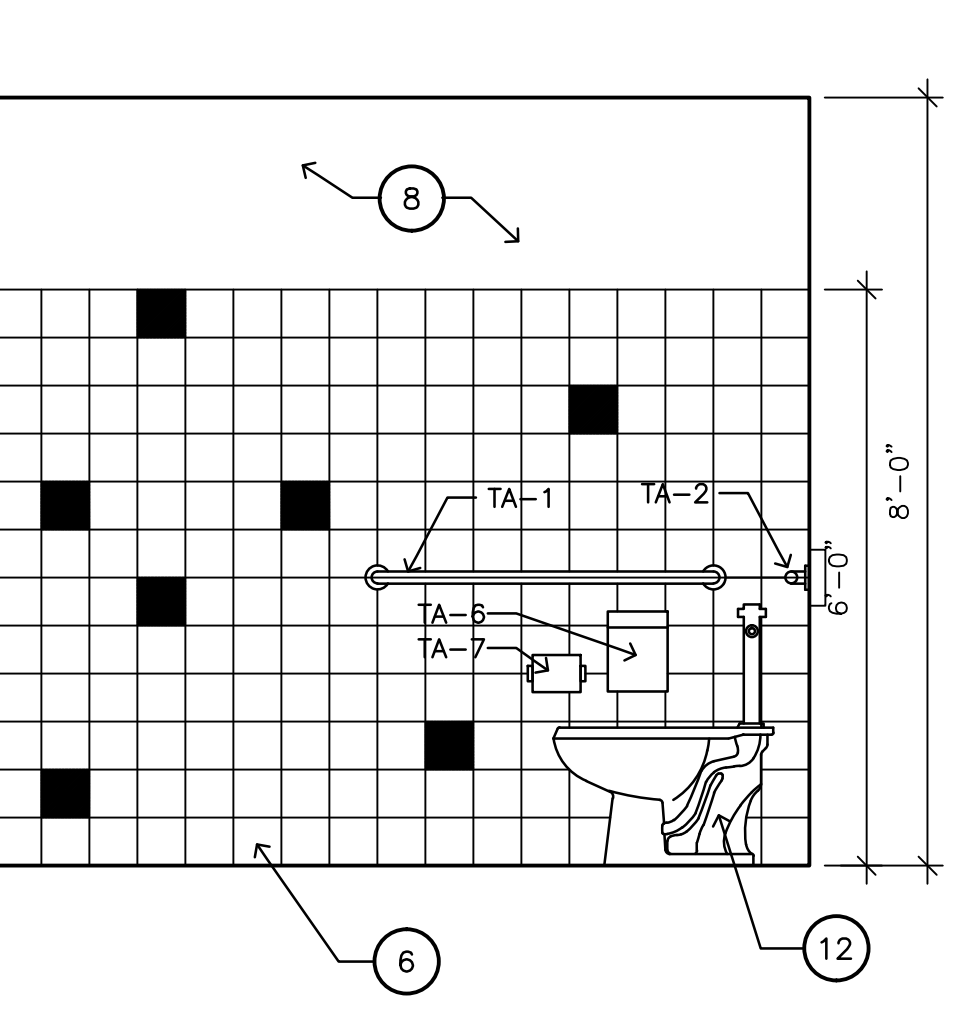
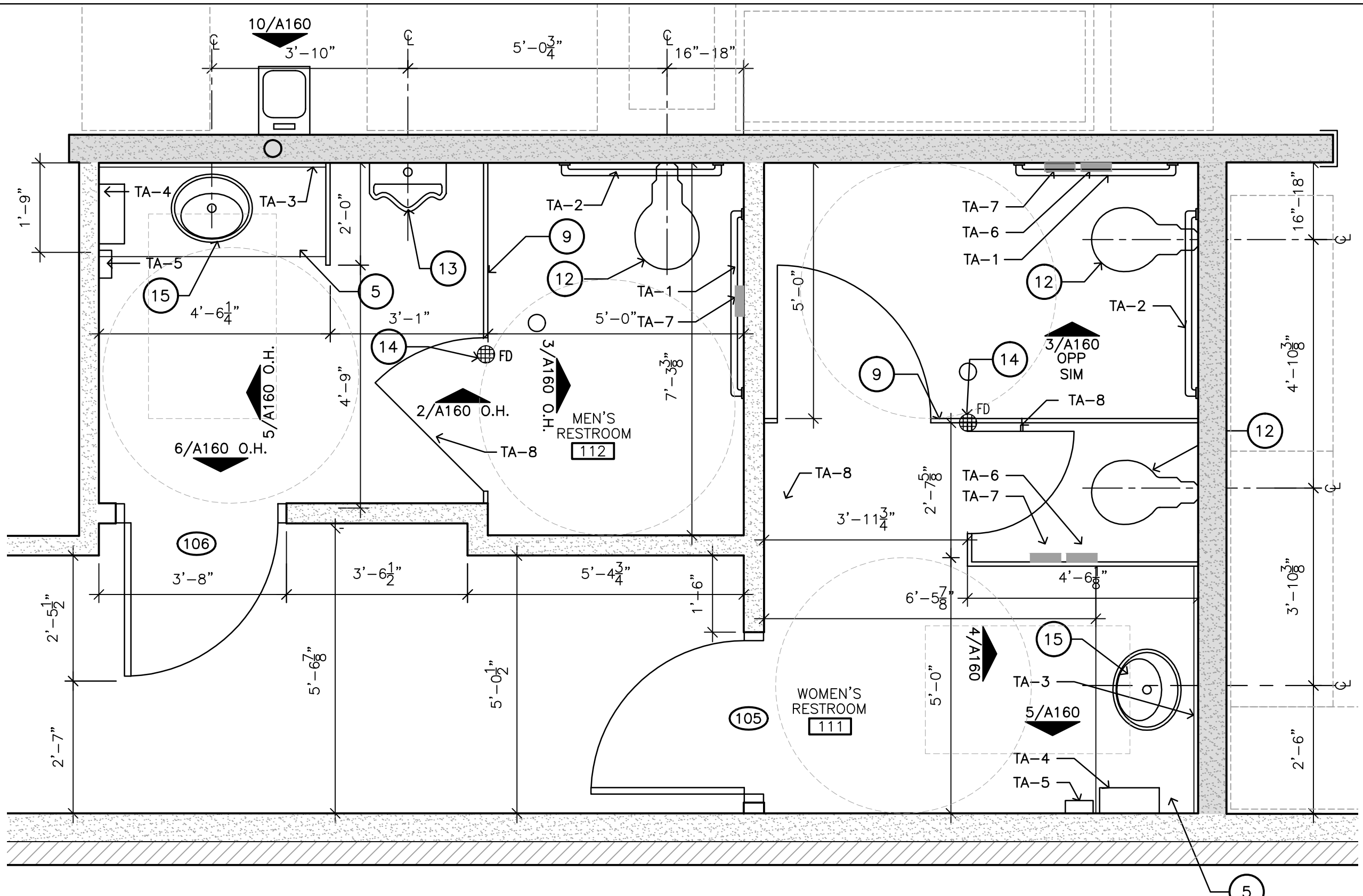
**A160**

**SHEET KEYNOTES**

- Division 05 - Metals
  - 1 Stainless Steel Support Legs
- Division 06 - Wood, Plastics, and Composites
  - 2 3/4" Plywood Drawer w/ Plastic Laminate Finish on Front and Edges
  - 3 Built-in Adjustable Shelves
  - 4 Bead Board, Finish Selected by Owner
  - 5 Plastic Laminate Countertop, Selected by Owner
- Division 09 - Finishes
  - 6 Tile Base To Match Floor Tile
  - 7 Soffit Paint, Selected by Owner
  - 8 5/8" GYPSUM WALLBOARD, PAINT SELECTED BY OWNER
- Division 10 - Specialties
  - 9 Painted Aluminum Toilet Partition, Paint Selected by Owner
- Division 22 - Plumbing
  - 12 Toilet
  - 13 Wall Mount Urinal
  - 14 Floor Drain, Refer to Plumbing, Slope Floor to Drain
  - 15 Surface Mounted Sink, Ref. Plumbing
  - 16 Stainless Steel Hand Wash Sink with Knee Pedals, Ref. Plumbing

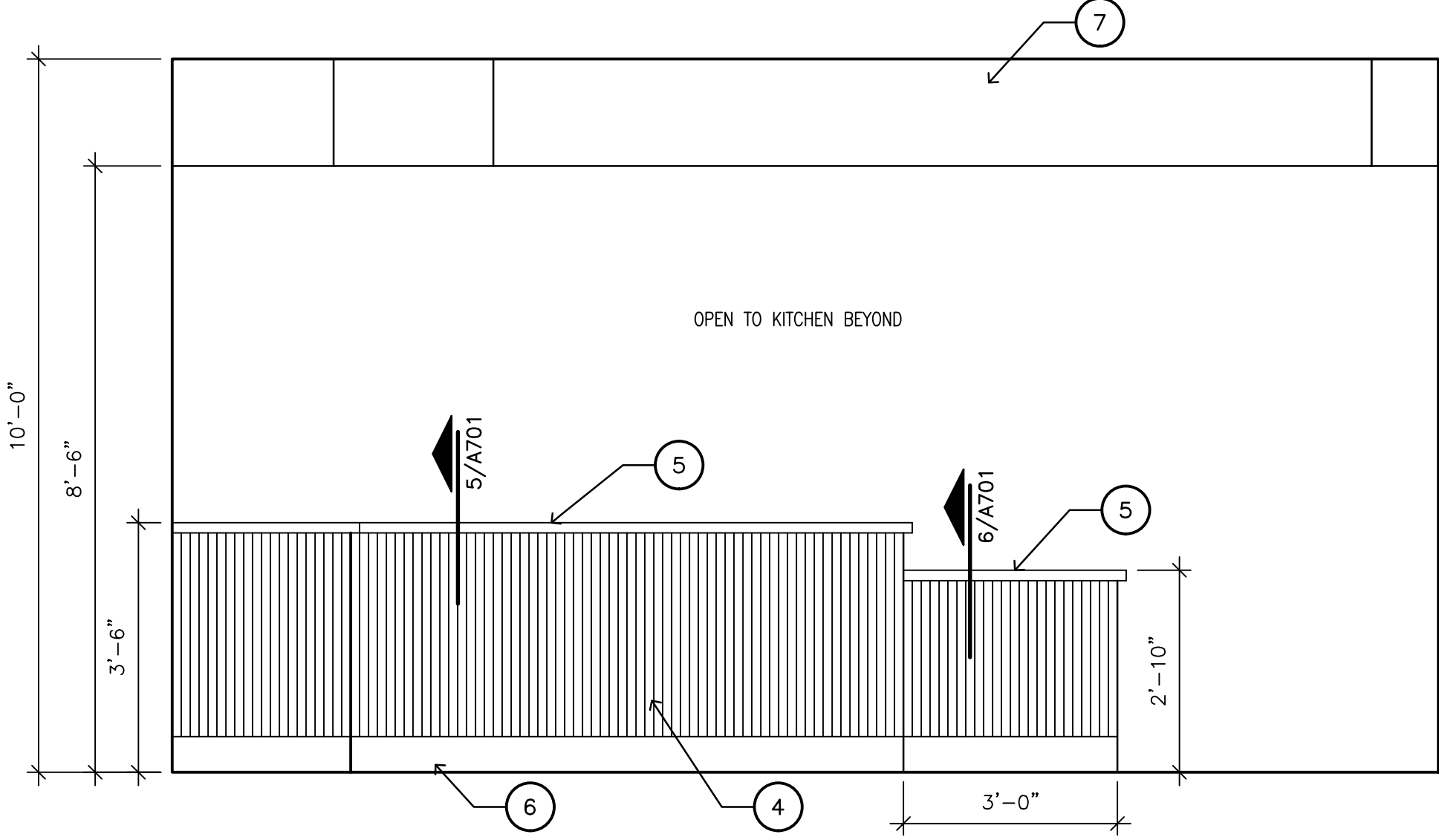
**GENERAL NOTE**

1. FOR ACCESSIBILITY TOILET ACCESSORY REQUIREMENTS REFERENCE SHEET ACC01
2. INSULATE ALL EXPOSED PIPING.
3. PROVIDE STAINLESS STEEL CORNER GUARDS AT ALL CORNERS AND FRAMED OPENINGS IN KITCHEN.
4. CONTRACTOR TO PROVIDE BLOCKING AS REQUIRED
5. TOILET PARTITIONS TO BE ALMOND COLOR

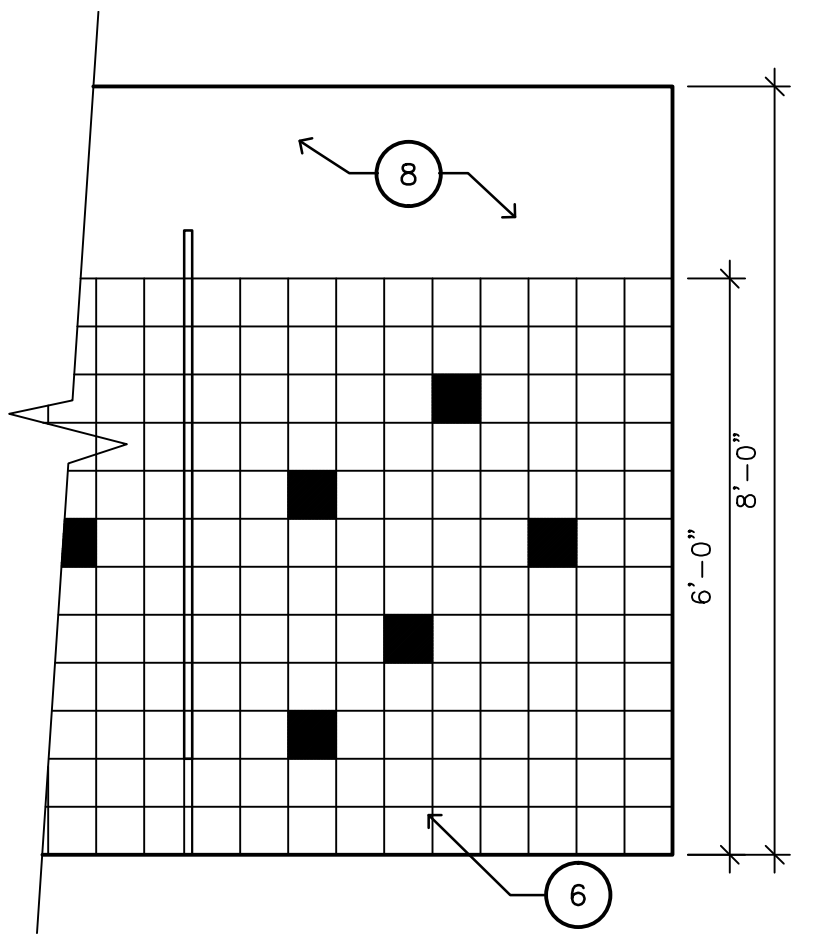


**3 TYP. TOILET**  
 SCALE: 1/2" = 1'-0"

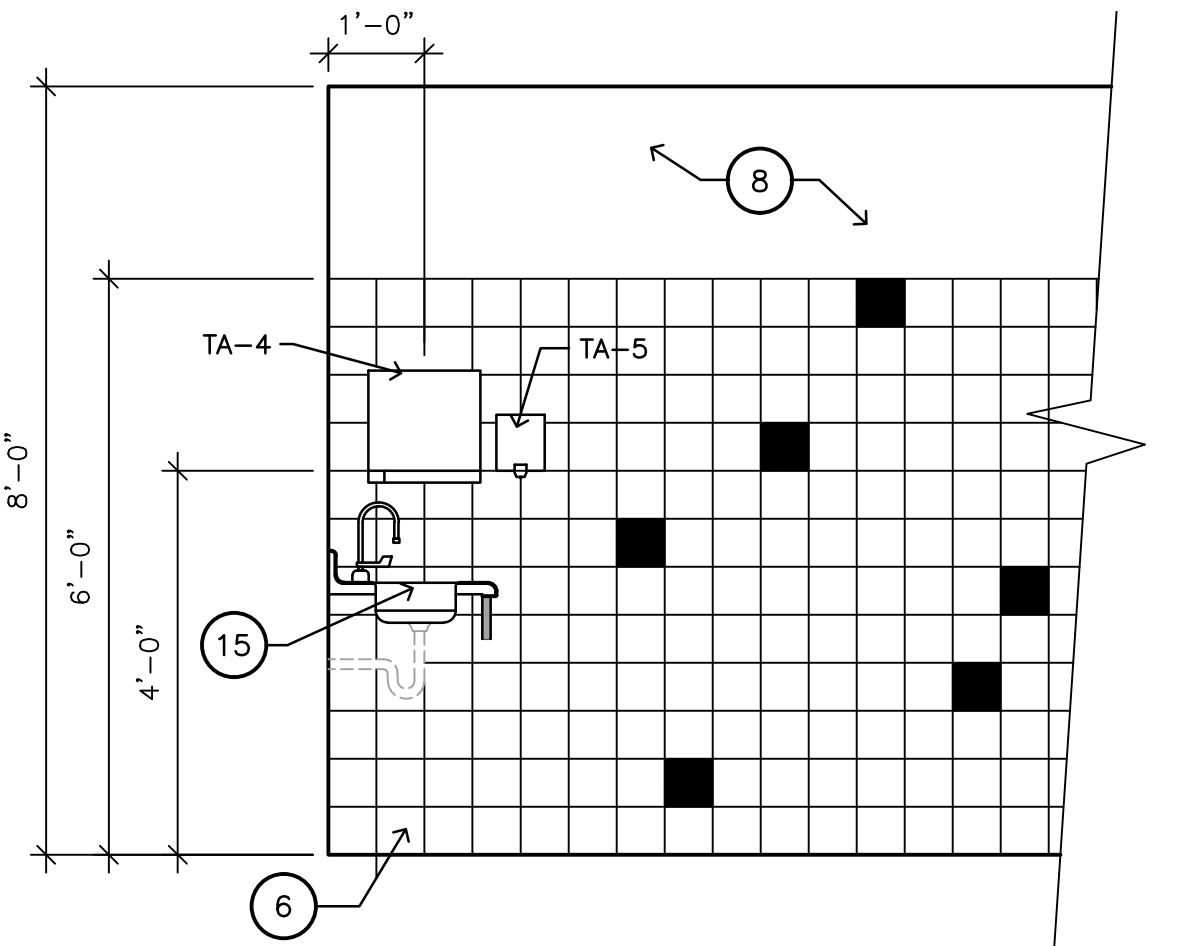
**2 MEN'S RESTROOM**  
 SCALE: 1/2" = 1'-0"



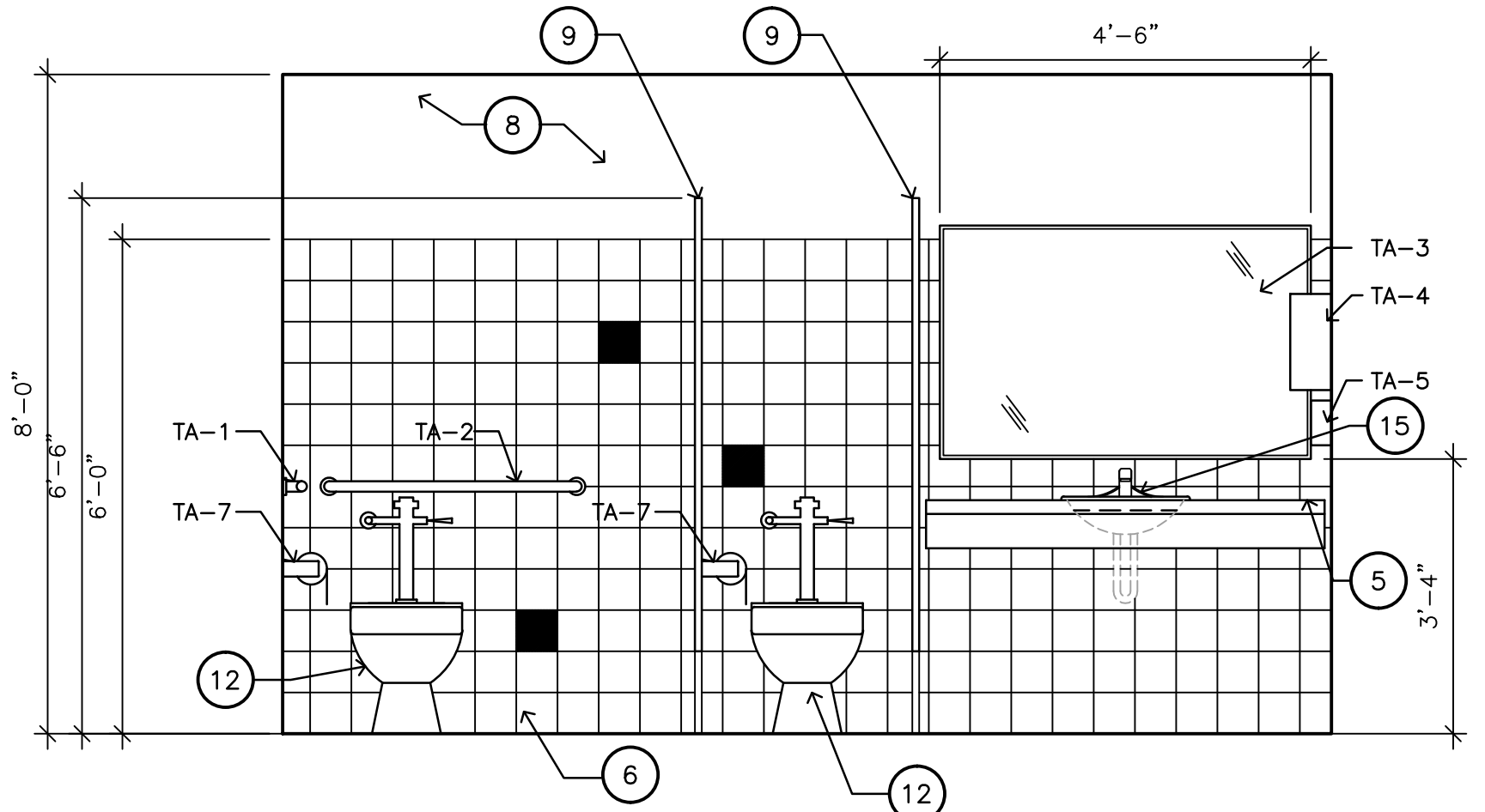
**7 FRONT COUNTER**  
 SCALE: 1/2" = 1'-0"



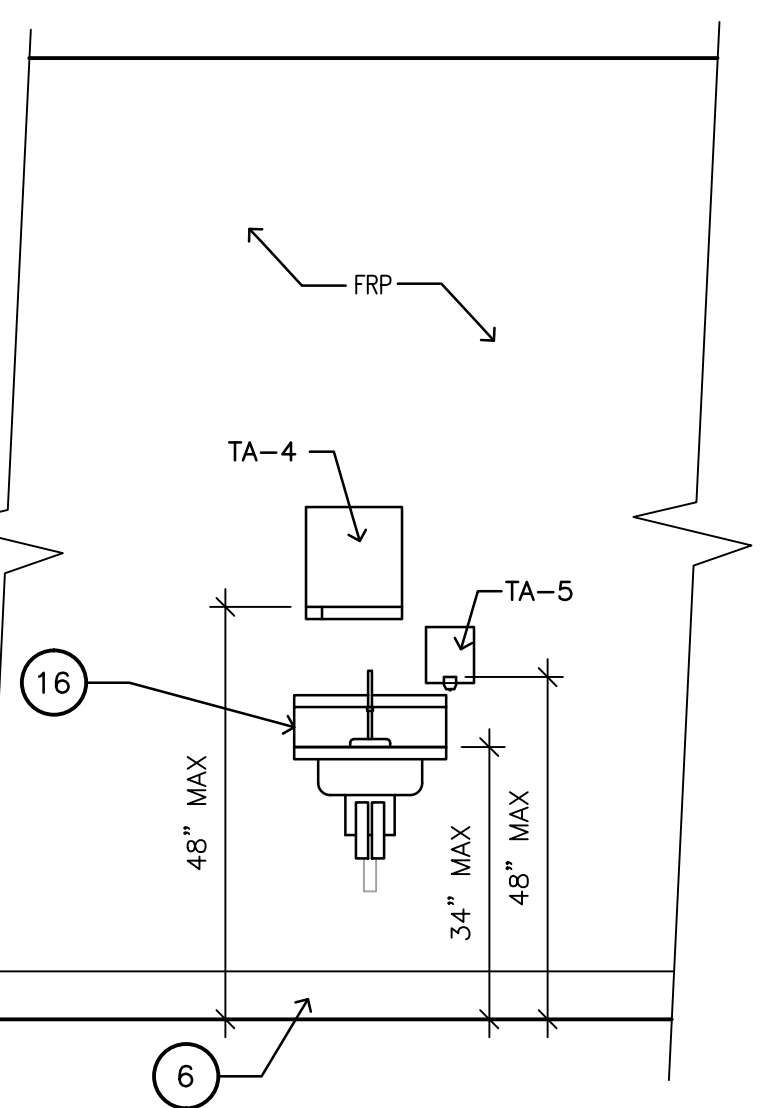
**6 WOMEN'S RESTROOM**  
 SCALE: 1/2" = 1'-0"



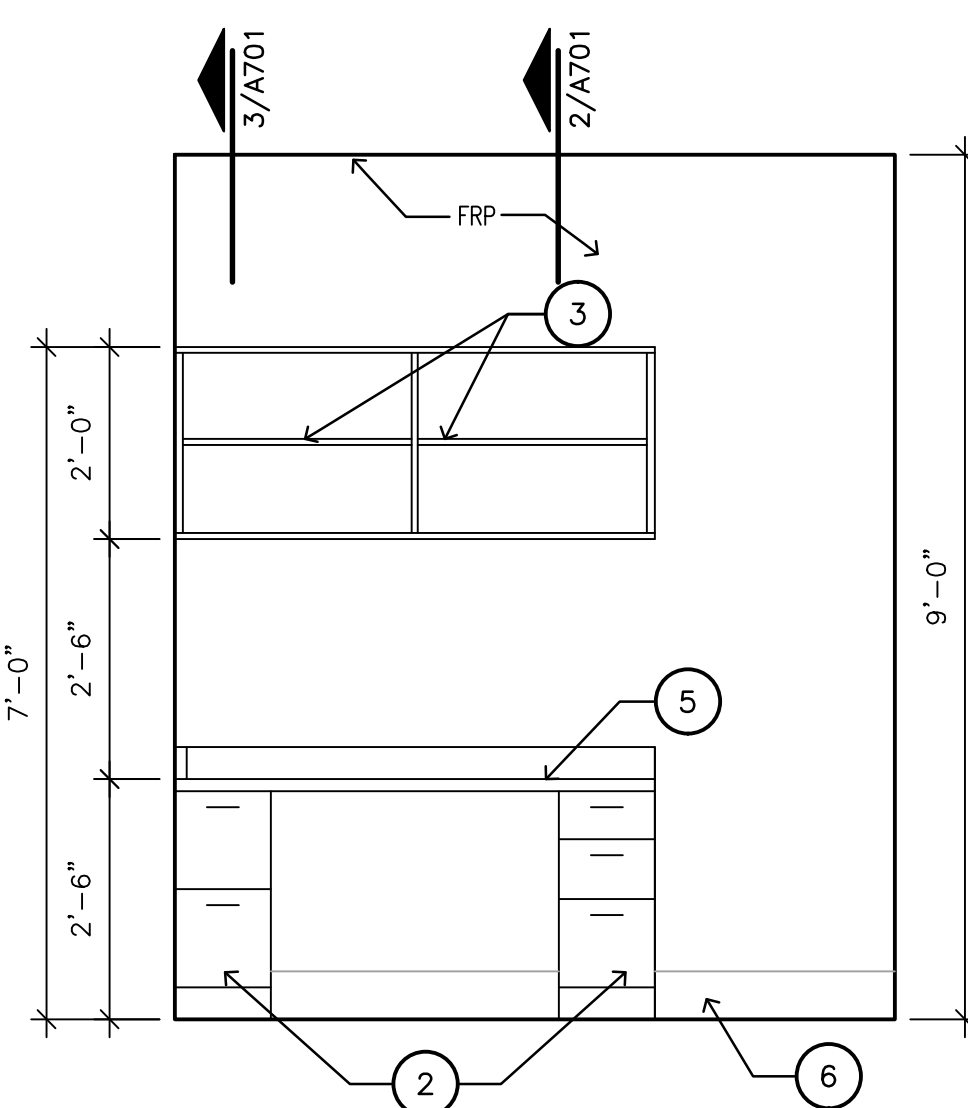
**5 TYP. RESTROOM**  
 SCALE: 1/2" = 1'-0"



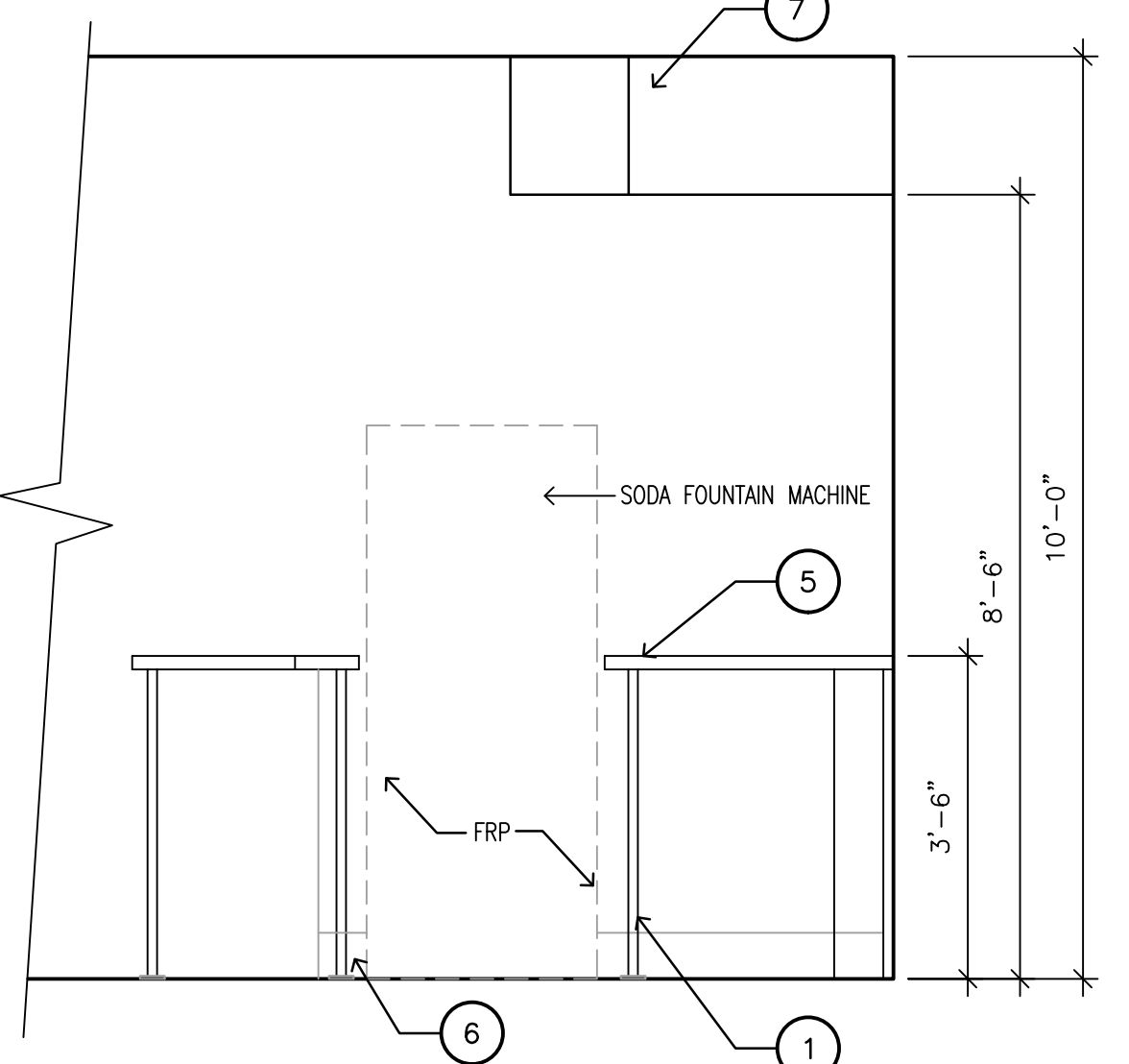
**4 WOMEN'S RESTROOM**  
 SCALE: 1/2" = 1'-0"



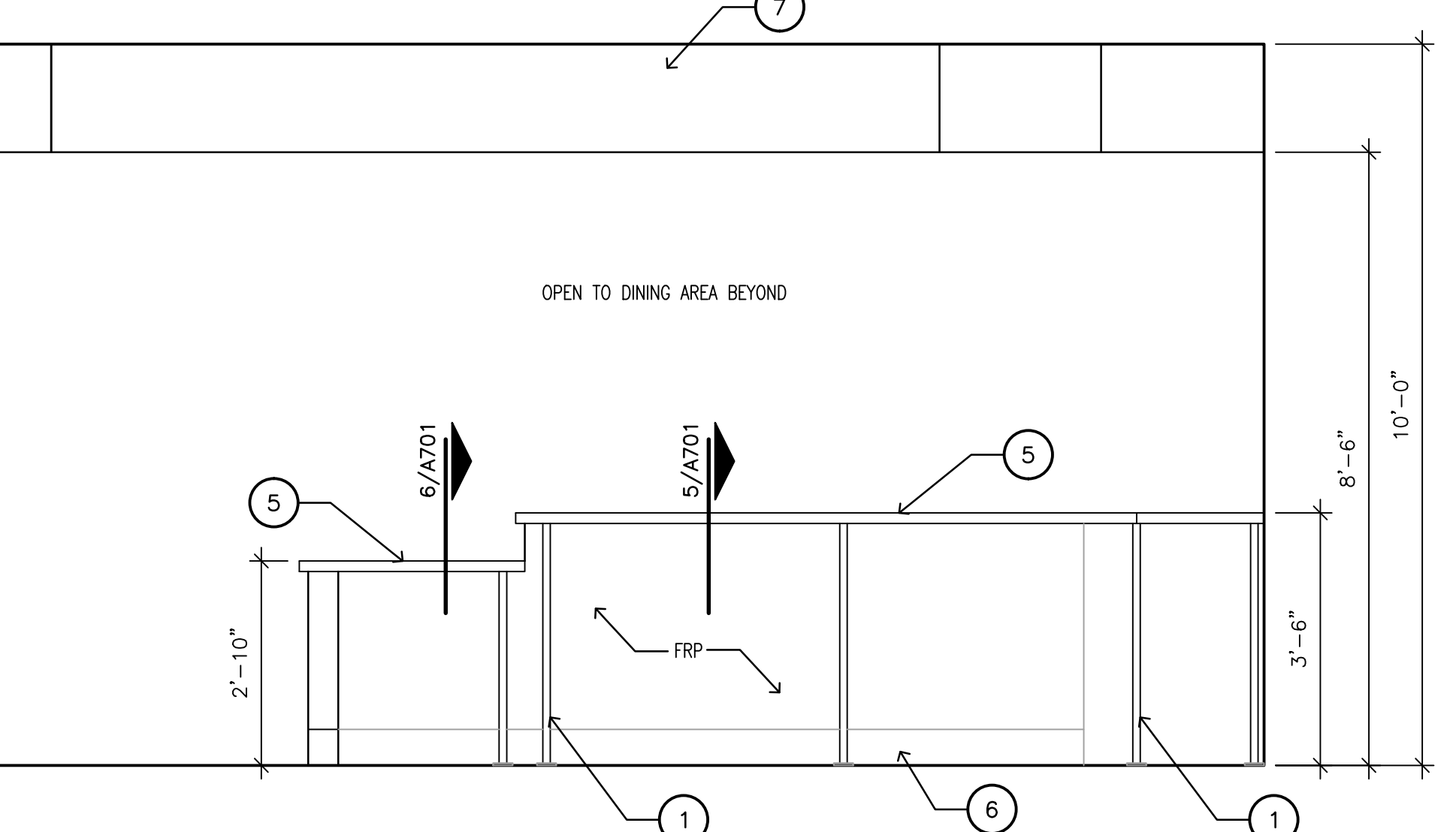
**11 SINK TYP.**  
 SCALE: 1/2" = 1'-0"



**10 OFFICE**  
 SCALE: 1/2" = 1'-0"



**9 FRONT COUNTER**  
 SCALE: 1/2" = 1'-0"



**8 FRONT COUNTER**  
 SCALE: 1/2" = 1'-0"

**TOILET ACCESSORY LEGEND**

TA-1	42" STAINLESS STEEL GRAB BAR
TA-2	36" STAINLESS STEEL GRAB BAR
TA-3	FRAMED MIRROR SIZE AS NOTED
TA-4	PAPER TOWEL DISPENSER
TA-5	SOAP DISPENSER, WALL MOUNTED
TA-6	SANITARY NAPKIN DISPOSAL-ONLY IN WOMEN'S R.R.
TA-7	TOILET PAPER DISPENSER
TA-8	COAT HOOK 48" MAX A.F.F.